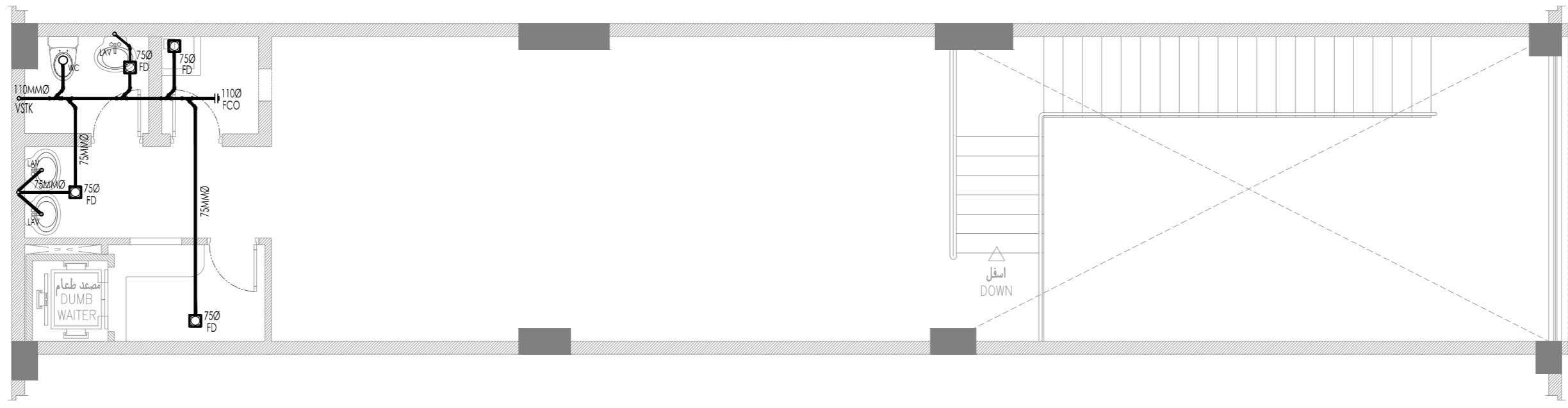


1 GROUND FLOOR SEWER LINE LAYOUT
1:75

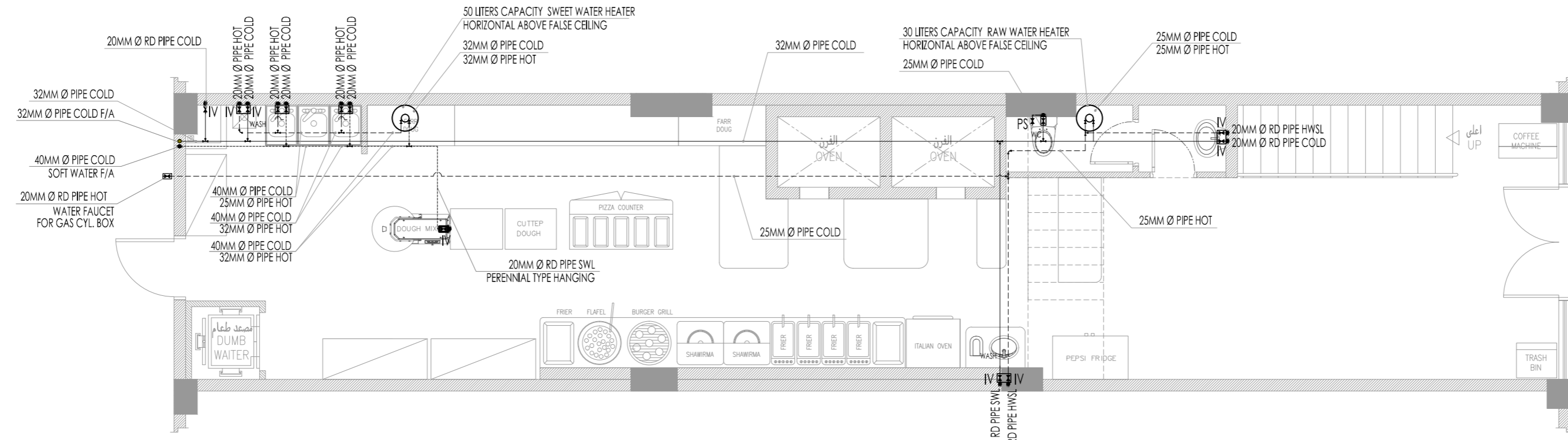


2 MEZZANINE SEWER LINE LAYOUT
1:75

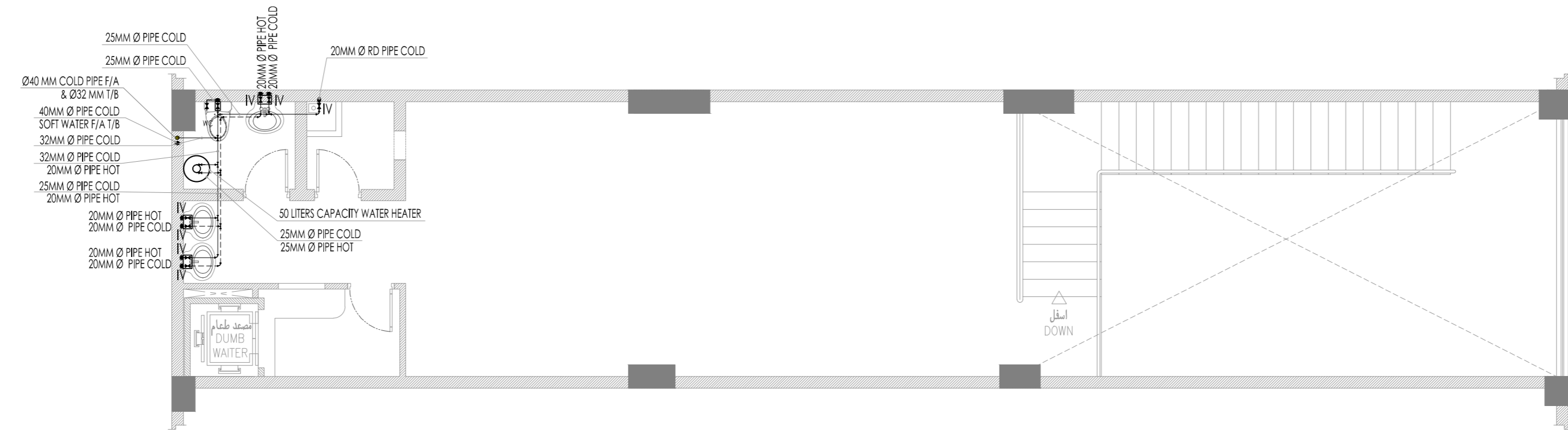
LEGEND:

- GT-FD- GULLY TRAP WITH FLOOR DRAIN DRUM TYPE
- FCO - FLOOR CLEAN OUT
- VSTK - VENT STACK
- FD - FLOOR DRAIN
- IGC - INTERNAL GREASE COLLECTOR
- WC - WATER CLOSET
- LAV - LAVATORY
- KS - KITCHEN SINK

- SANITARY NOTES:**
1. ALL PIPE PASSING THRU CONCRETE WALL SLAB, CONCRETE AND FLOOR SLAB SHOULD HAVE PIPE SLEEVES AND WITH SEALANT.
 2. ALL PIPE PASSING THRU CONCRETE ROOF SLAB MUST HAVE PIPE SLEEVE EXTENDED 0.30M FROM FINISH ROOF DECK LEVEL WITH SEALANT.
 3. ALL INTERNAL PIPEWORK AND FILLINGS SHALL BE UPVC CLASS 4, 10 BARS BY NEPRO PIPES.



1 GROUND FLOOR WATER LINE LAYOUT
1:75

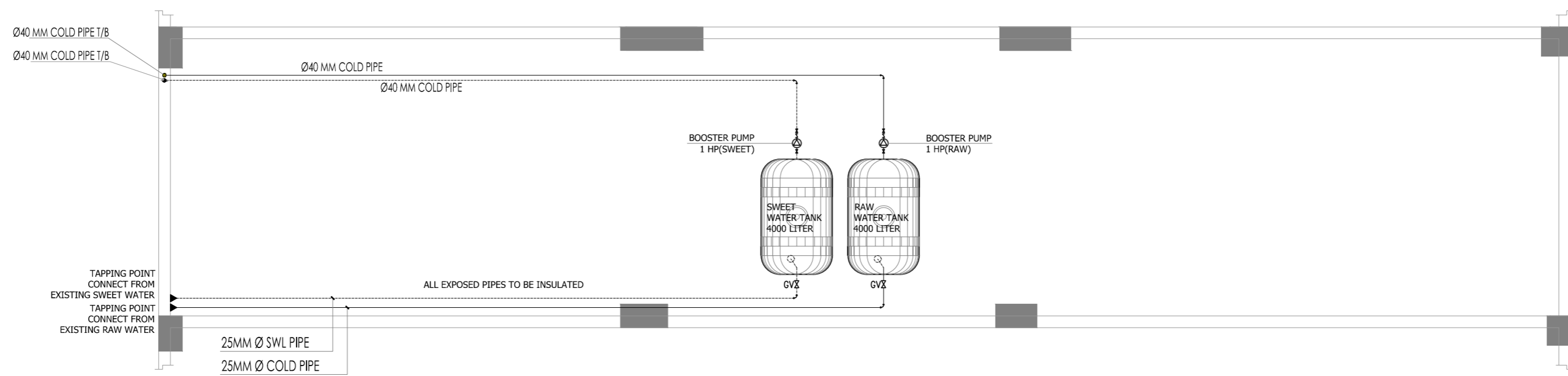


2 MEZZANINE WATER LINE LAYOUT
1:75

- LEGEND:**
- HWSL - HOT WATER SUPPLY LINE
 - HWRL - HOT WATER RETURN LINE
 - CWL - COLD WATER LINE
 - FWL - FILTERED WATER LINE
 - FWL - FILTERED WATER LINE
 - WT - WATER TANK
 - GV - GATE VALVE
 - CV - CHECK VALVE

- SPECIFICATIONS:**
- WATER HEATER = 2 X 200LITERS CAPACITY A0 SMITH
 - FILTER ASSEMBLY = AQUA PURE FILTER

- WATER SUPPLY NOTES:**
2. ALL WATER LINES TO MOP SINK, SCULLERY SINK, PREPARATION-TABLE, WATER HEATER & TOILET SODA SYSTEM AND OTHER EQUIPMENTS WITH WATER LINES MUST HAVE INDIVIDUAL ISOLATION VALVE (BALL TYPE) ABOVE CEILING 60 X 60 CEILING.
 3. USE COPPER PIPE TYPE "K" FOR HOT AND COLD IN THE BUILDING WATER SUPPLY LINE USE THERMO PIPE.
 4. USE COPPER PIPE TYPE "K" FOR HOT AND COLD USE THERMO PIPES WATER SUPPLY LINE WHICH IS ON SITE AND BURIED.
 5. PROVIDE PRE-FILTER MULTIPLEX.
 6. ALL PIPE PASSING THRU CONCRETE WALL SLAB, CONCRETE AND FLOOR SLAB SHOULD HAVE PIPE SLEEVES AND WITH SEALANT.
 7. ALL PIPE PASSING THRU CONCRETE ROOF SLAB MUST HAVE PIPE SLEEVE EXTENDED 0.30M FROM FINISH ROOF DECK LEVEL WITH SEALANT.
 8. 20X20CM HANDHOLE OPENING BELOW THE ISOLATION VALVE OF TOILETS AND JANITORS ROOM WATER SUPPLY LINE.
 9. ALL COPPER HOT AND COLD WATER LINES MUST BE INSULATED AS PER USE THERMO PIPES.



LEGEND:

- HWSL - HOT WATER SUPPLY LINE
- HWRL - HOT WATER RETURN LINE
- CWL - COLD WATER LINE
- FWL - FILTERED WATER LINE
- FWL - FILTERED WATER LINE
- WT - WATER TANK
- GV - GATE VALVE
- CV - CHECK VALVE

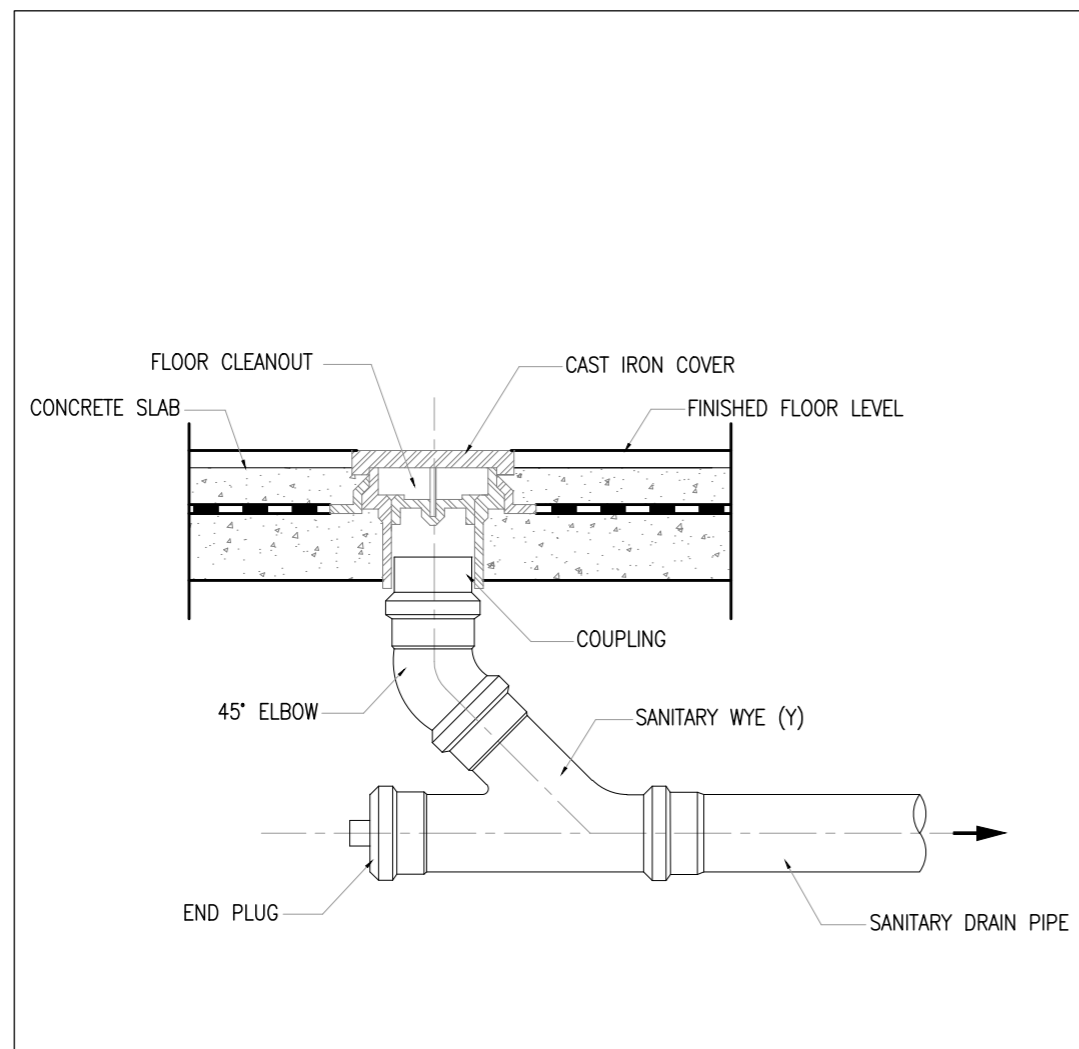
SPECIFICATIONS:

- WATER HEATER = 2 X 200LITERS CAPACITY AO SMITH
- FILTER ASSEMBLY = AQUA PURE FILTER

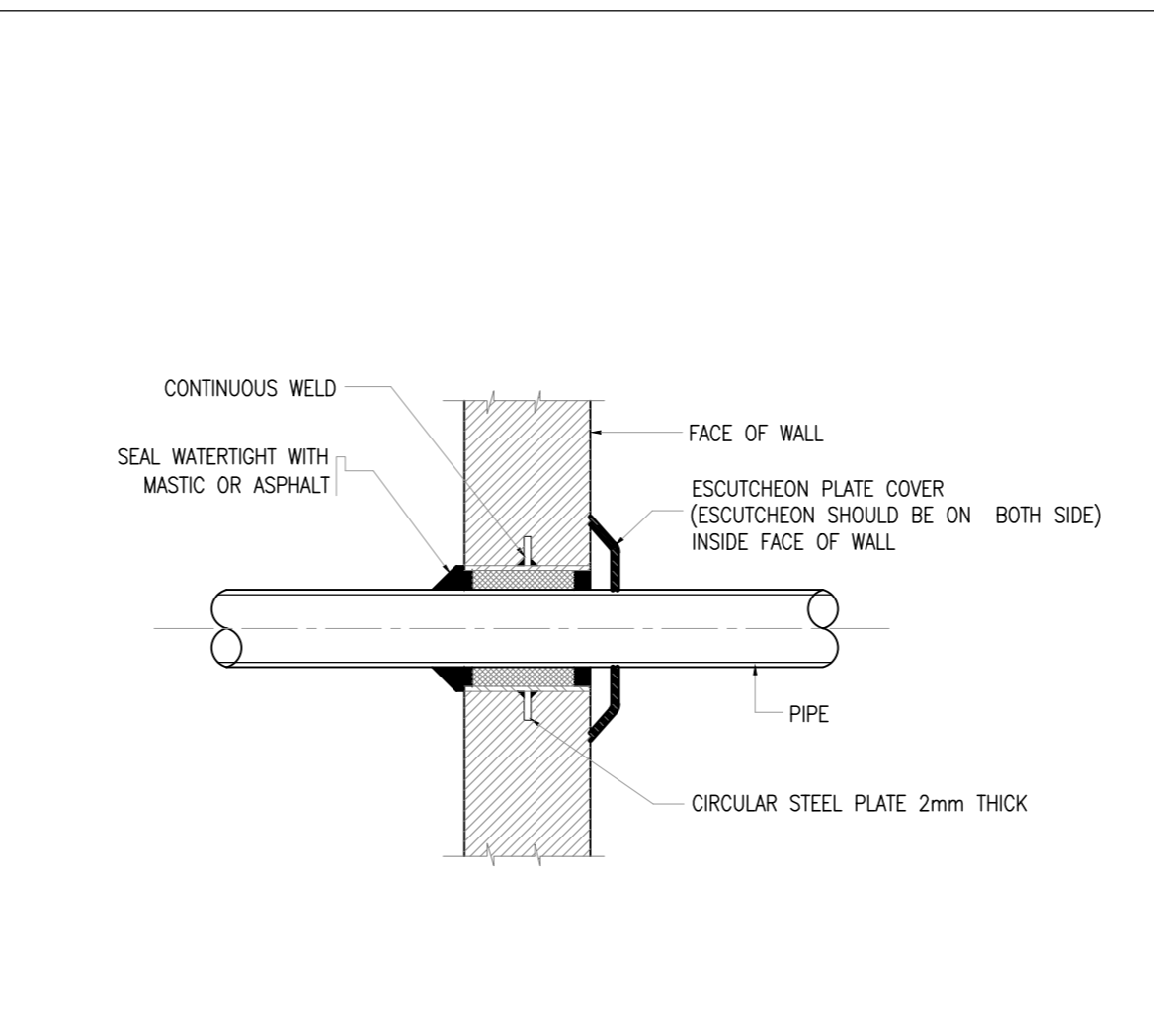
WATER SUPPLY NOTES:

2. ALL WATER LINES TO MOP SINK, SCULLERY SINK, PREPARATION-TABLE, WATER HEATER & TOILET SODA SYSTEM AND OTHER EQUIPMENTS WITH WATER LINES MUST HAVE INDIVIDUAL ISOLATION VALVE (BALL TYPE) ABOVE CEILING 60 X 60 CEILING.
3. USE COPPER PIPE TYPE "K" FOR HOT AND COLD IN THE BUILDING WATER SUPPLY LINE USE THERMO PIPE.
4. USE COPPER PIPE TYPE "K" FOR HOT AND COLD USE THERMO PIPES WATER SUPPLY LINE WHICH IS ON SITE AND BURIED.
5. PROVIDE PRE-FILTER MULTIPLEX.
6. ALL PIPE PASSING THRU CONCRETE WALL SLAB, CONCRETE AND FLOOR SLAB SHOULD HAVE PIPE SLEEVES AND WITH SEALANT.
7. ALL PIPE PASSING THRU CONCRETE ROOF SLAB MUST HAVE PIPE SLEEVE EXTENDED 0.30M FROM FINISH ROOF DECK LEVEL WITH SEALANT.
8. 20X20CM HANDHOLE OPENING BELOW THE ISOLATION VALVE OF TOILETS AND JANITORS ROOM WATER SUPPLY LINE.
9. ALL COPPER HOT AND COLD WATER LINES MUST BE INSULATED AS PER USE THERMO PIPES.

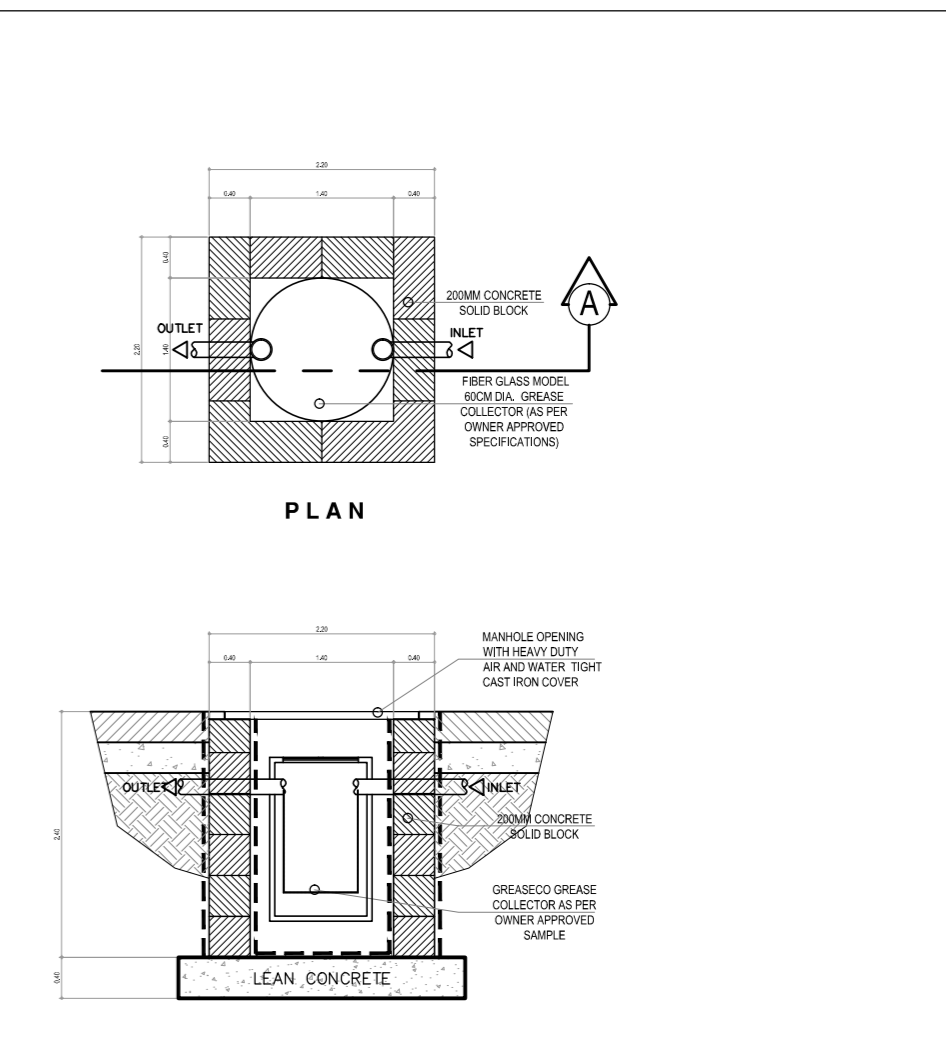
1 ROOF DECK WATER LINE LAYOUT
1:75



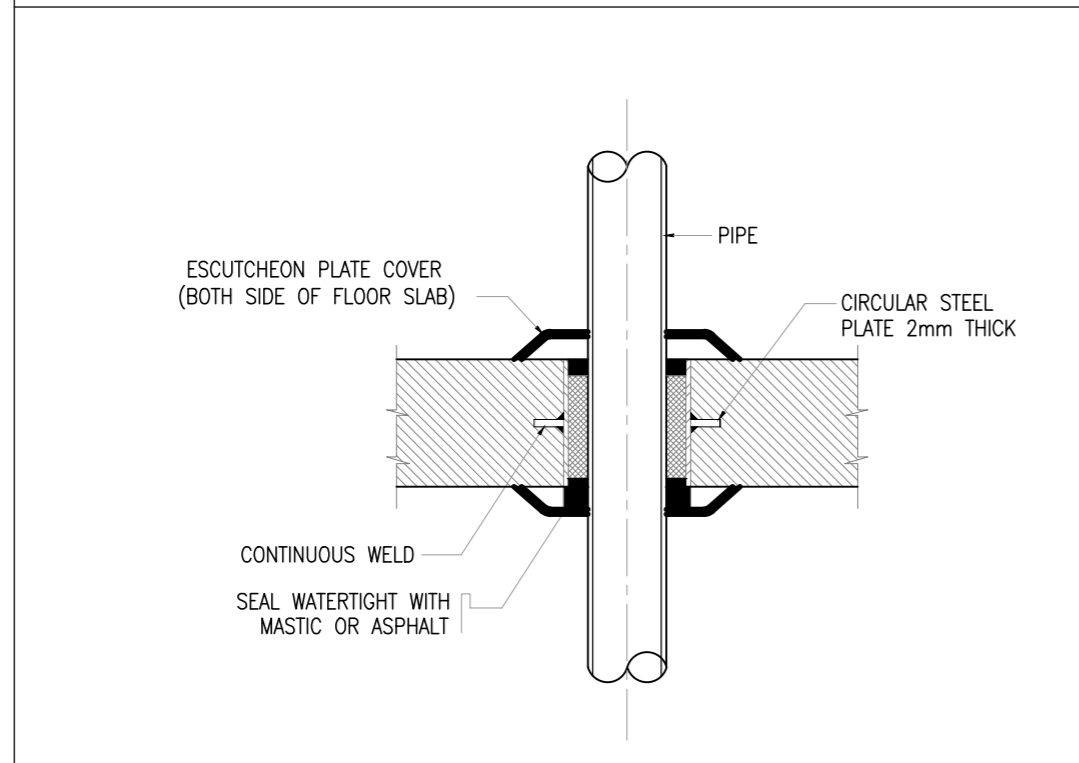
FLOOR CLEANOUT DETAIL



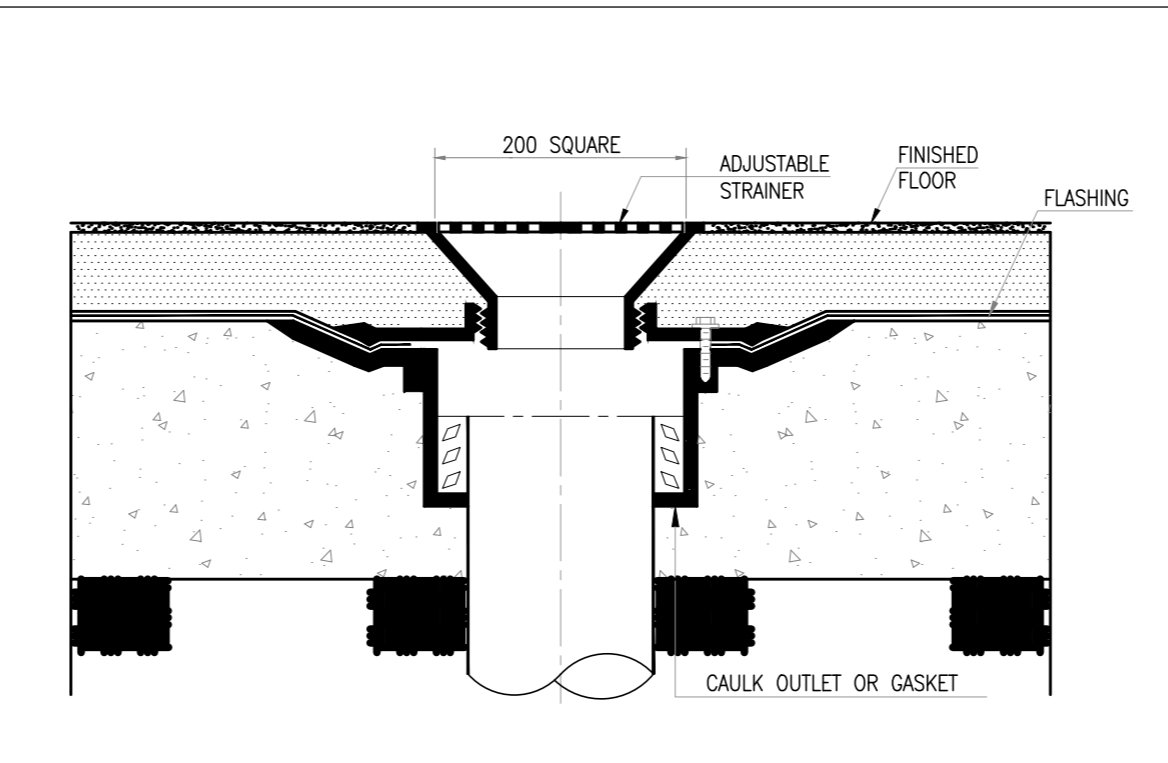
PIPE SLEEVE THRU WALL



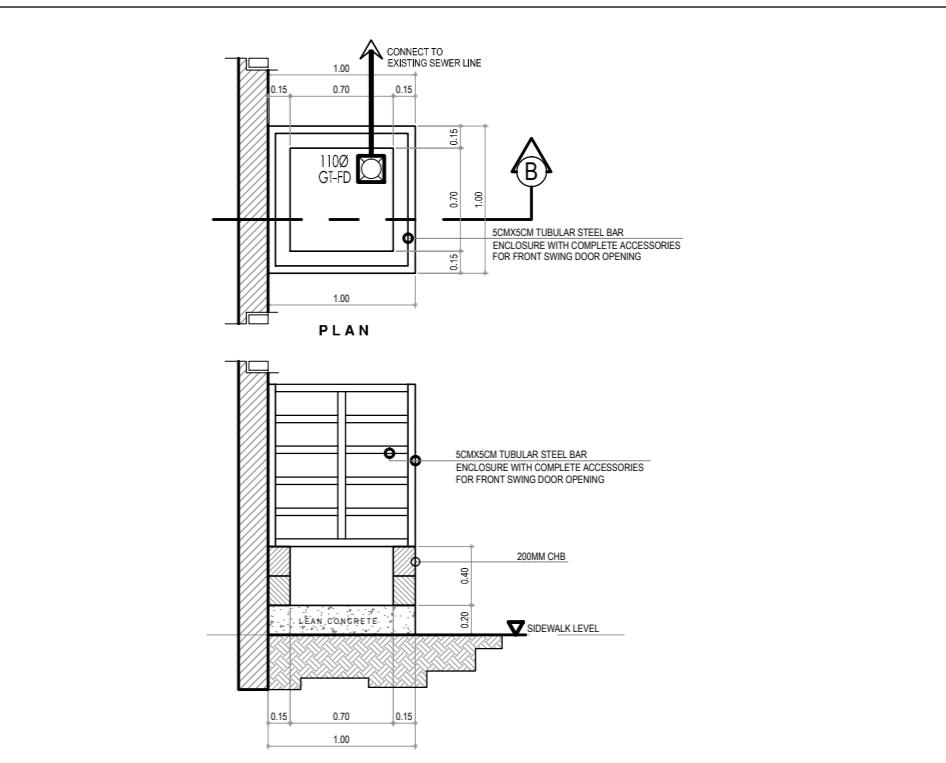
INTERCEPTOR



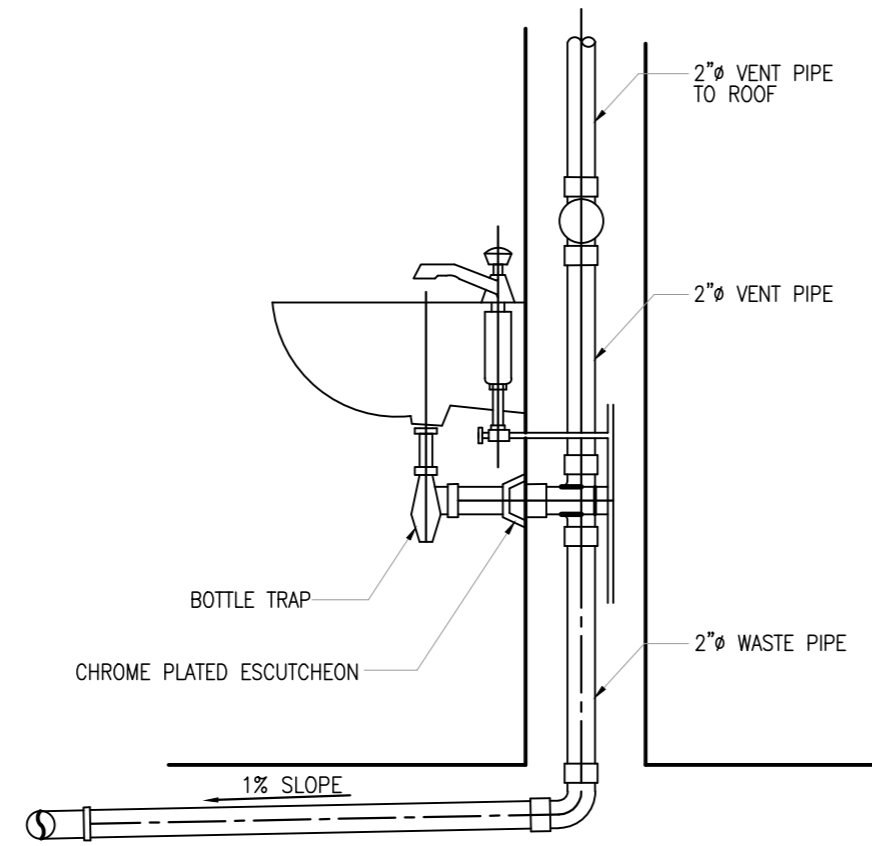
PIPE SLEEVE THRU FLOOR SLAB



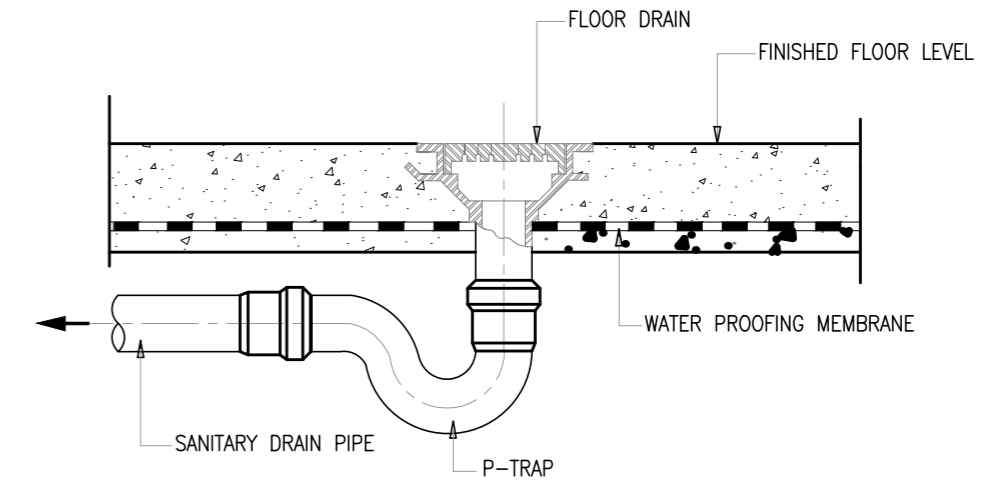
TOILET FLOOR DRAIN (FD-1)



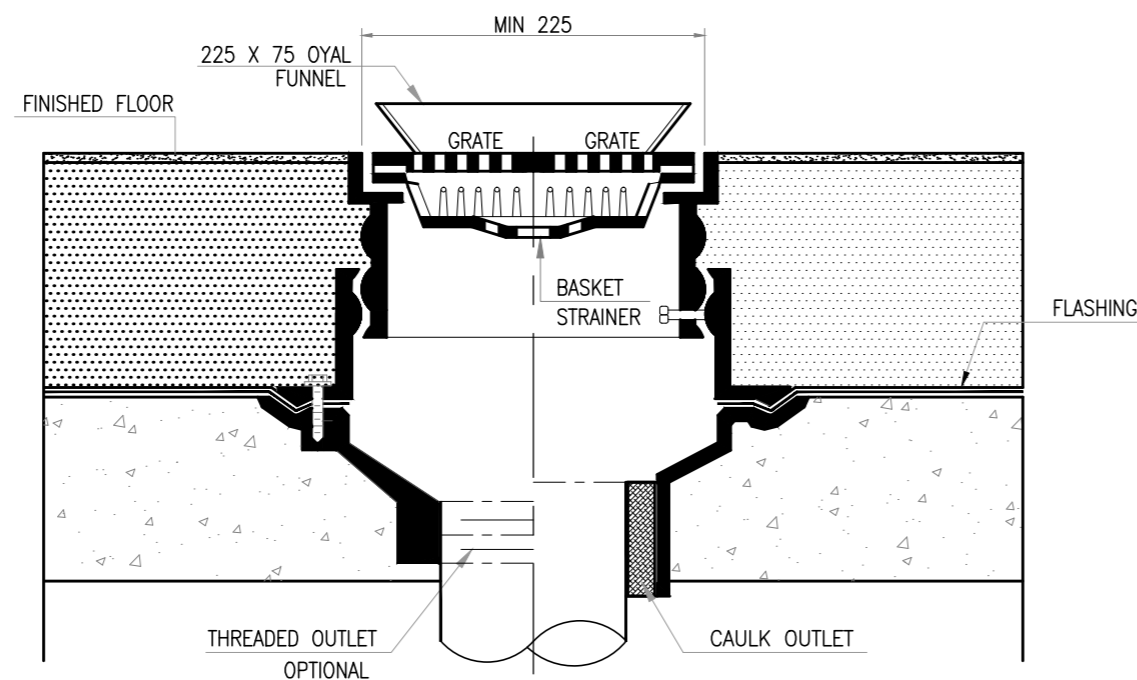
GAS BASE DETAIL



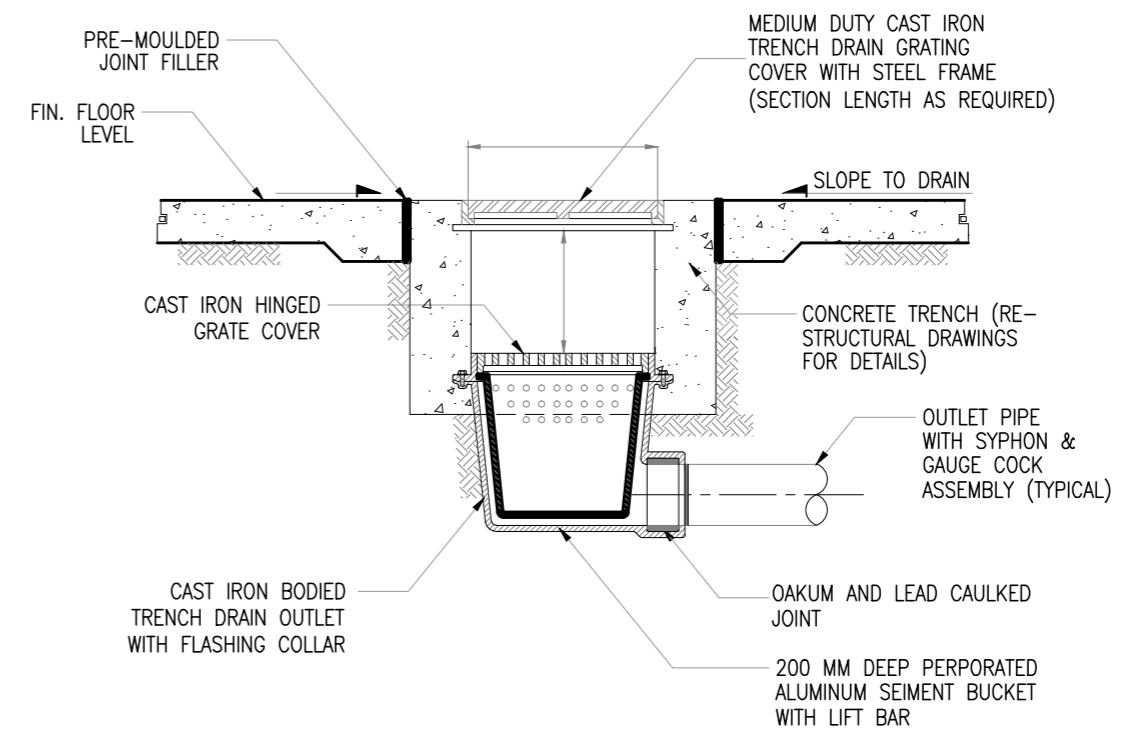
LAVATORY DRAIN PIPING DETAILS



FLOOR DRAIN DETAIL



**FLOOR DRAIN (FD-2)
(HEAVY DUTY)**



TRENCH DRAIN DETAILS