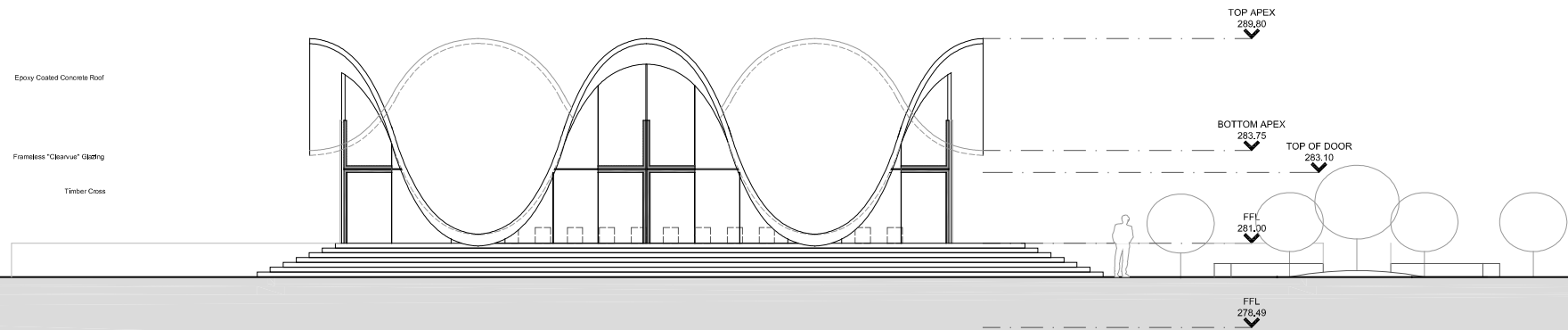
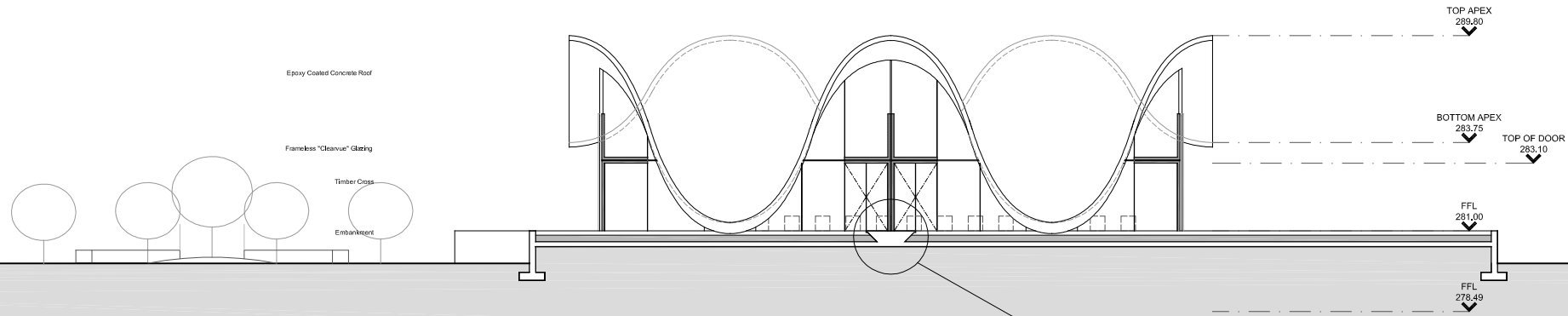


0 1 2 3 4 6 8m

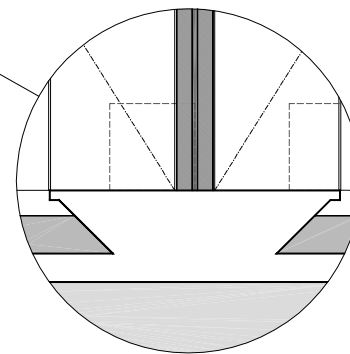
this scale bar should measure 6cm/4cm when printed @ A1/A3



SW ELEVATION
scale 1:100



NE ELEVATION
scale 1:100



this scale bar should measure 6cm/4cm when printed @ A1/A3

0 1 2 3 4 6 8m

NOTES
ALL DIMENSIONS TO BE CHECKED
ON SITE PRIOR TO COMMENCE-
MENT OF WORK. NO SCALING.
ANY DISCREPANCIES TO BE
REPORTED TO THE ARCHITECT. ©

P5: General Revisions	05.12.13
P4: Addition & Storage buildings	27.05.13
P3: Ramp removed	28.01.13
P2: General Revisions	10.12.12
P1: First Issue	14.11.12

INFORMATION
STEYN & CO ARCHITECTS 110 COOPERATION STREET LONDON W1C 2PL
T: +44 (0)20 7890 8000 F: +44 (0)20 7890 8001

STEYN
COLLABORATIVE ARCHITECTURE

PROJECT NAME
P1001 | BUSHMENS VALLEY
REDEVELOPMENT
BUILDING 1: CHAPEL

DRAWING
ELEVATIONS

DRAWING NO.
P1001 | G | 1 | 300 | P5

DATE
DECEMBER 2012

SCALE
1:100 @ A1, 1:200 @ A3

DRAWN BY
JF

CHECKED BY
CS