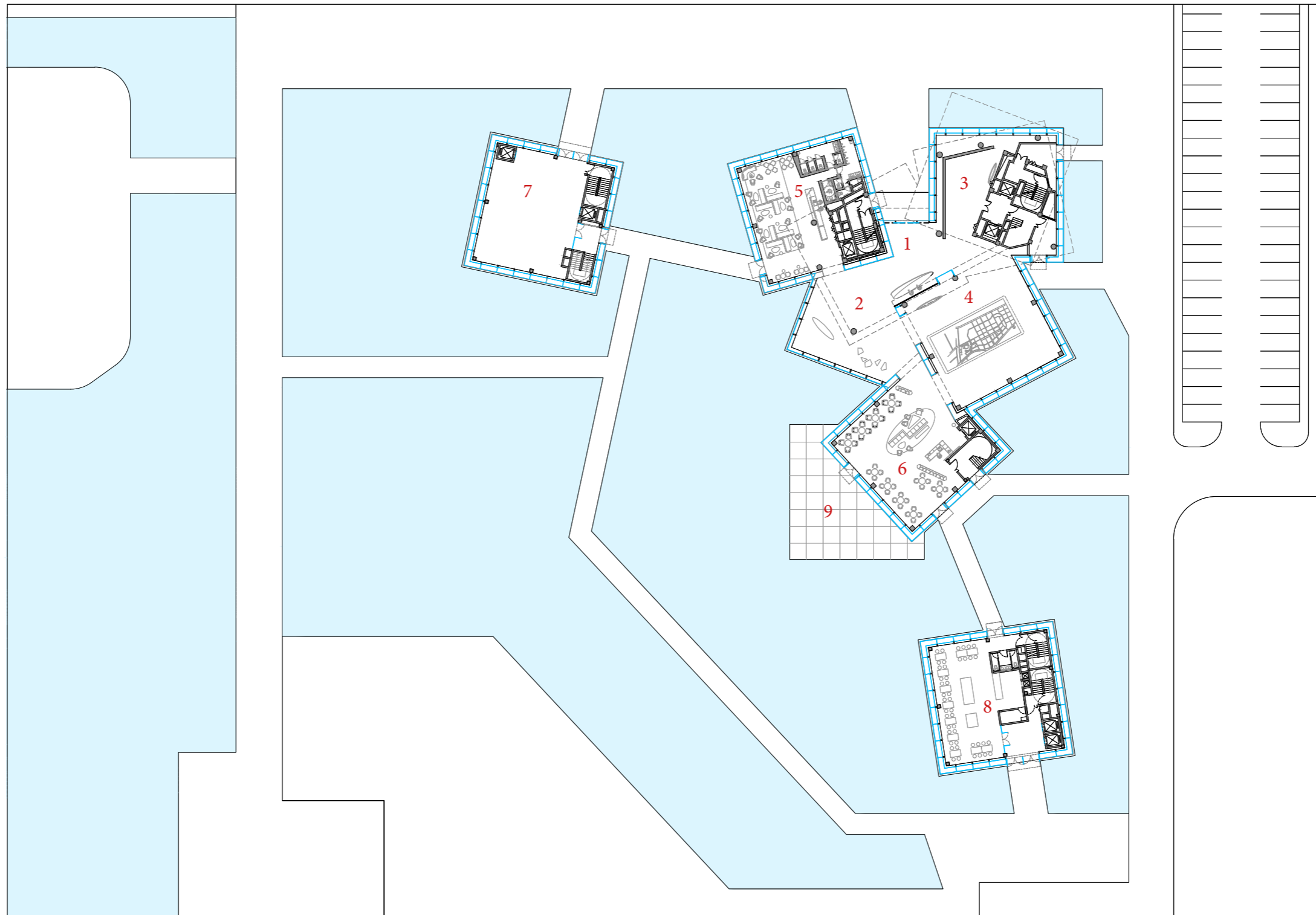
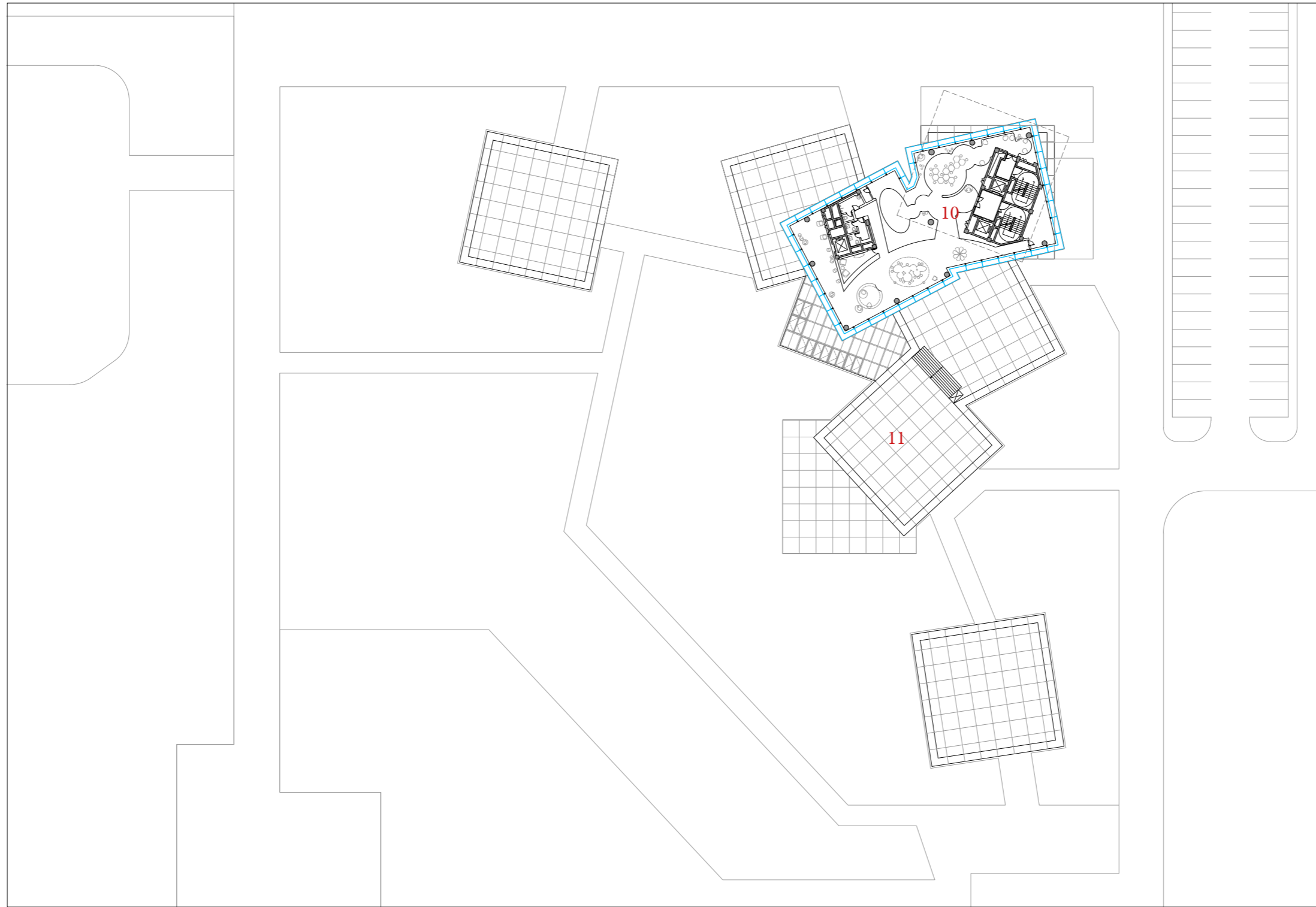


Master plan



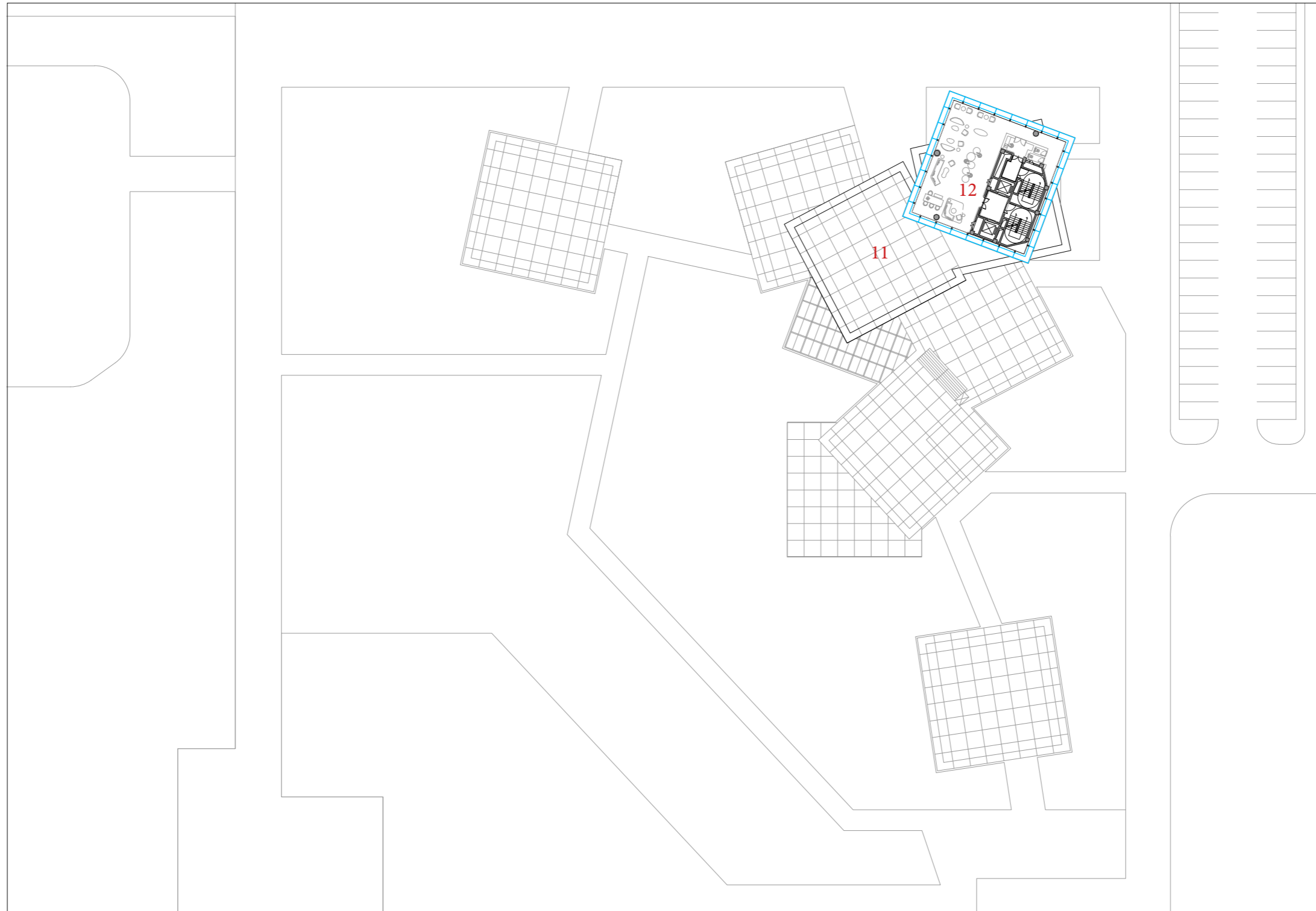
- 1. Entrance
- 2. Lobby
- 3. Children play-space
- 4. Display hall and media
- 5. Cafe shop
- 6. Reading room
- 7. Shop
- 8. Restaurant
- 9. Water terrace

First floor plan



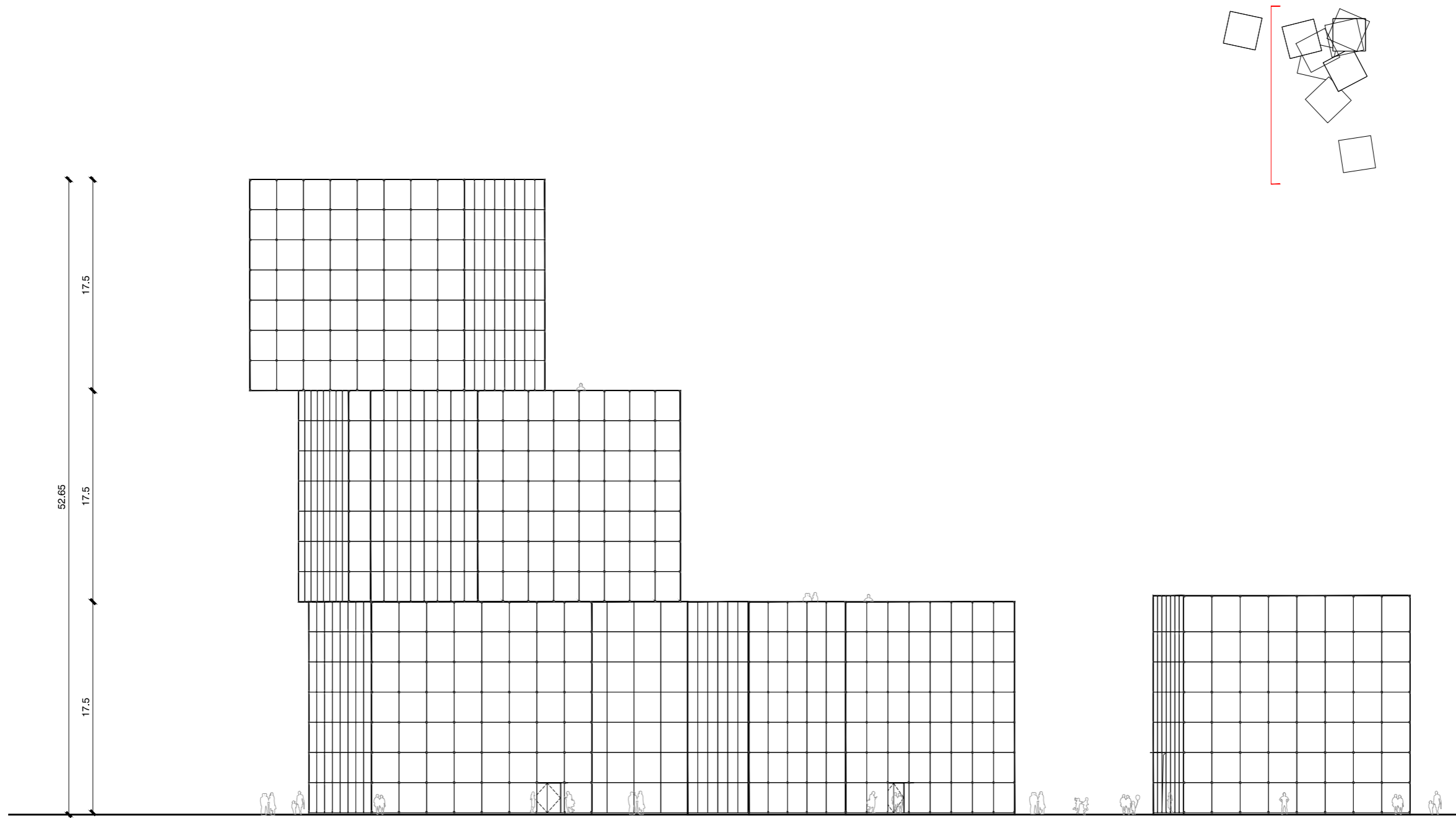
10.Office and meeting
11.Air terrace

Fifth floor plan

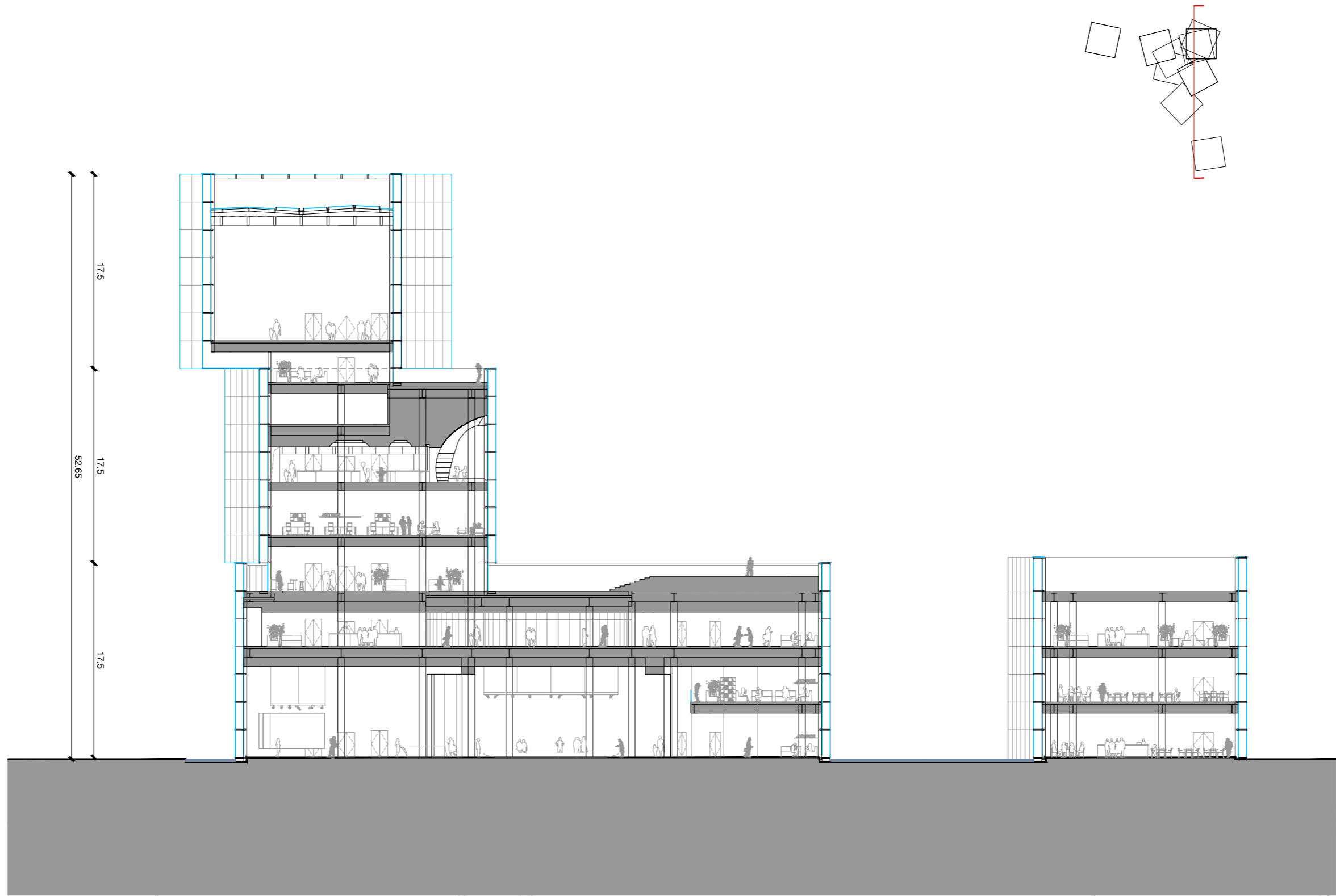


11. Air terrace
12. Multi-fonction hall

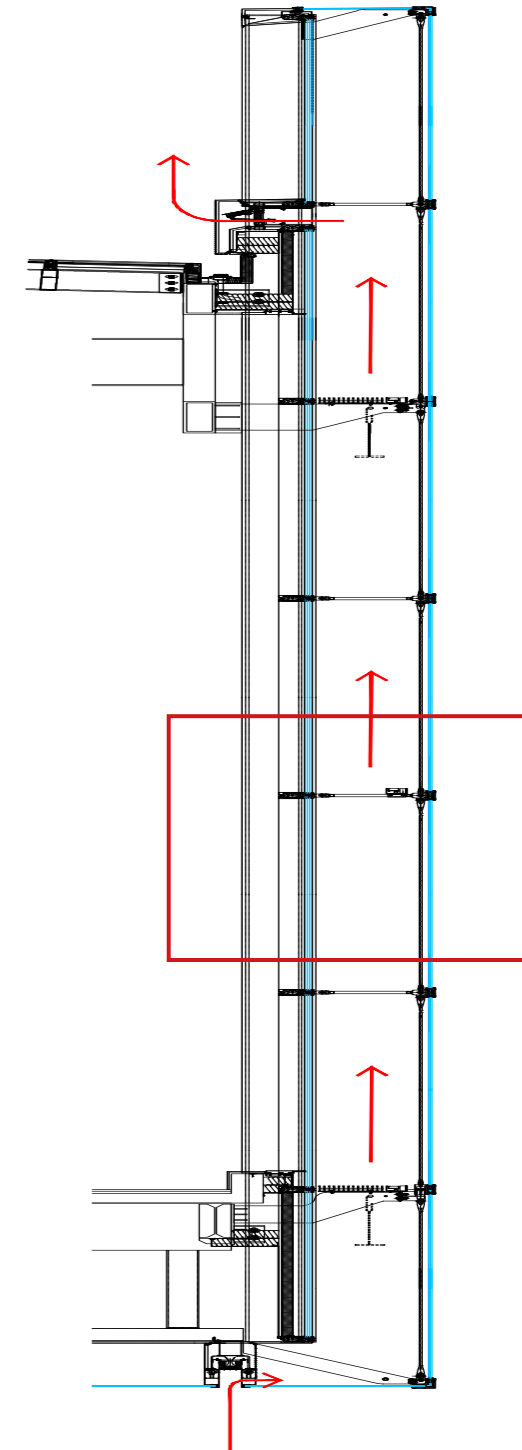
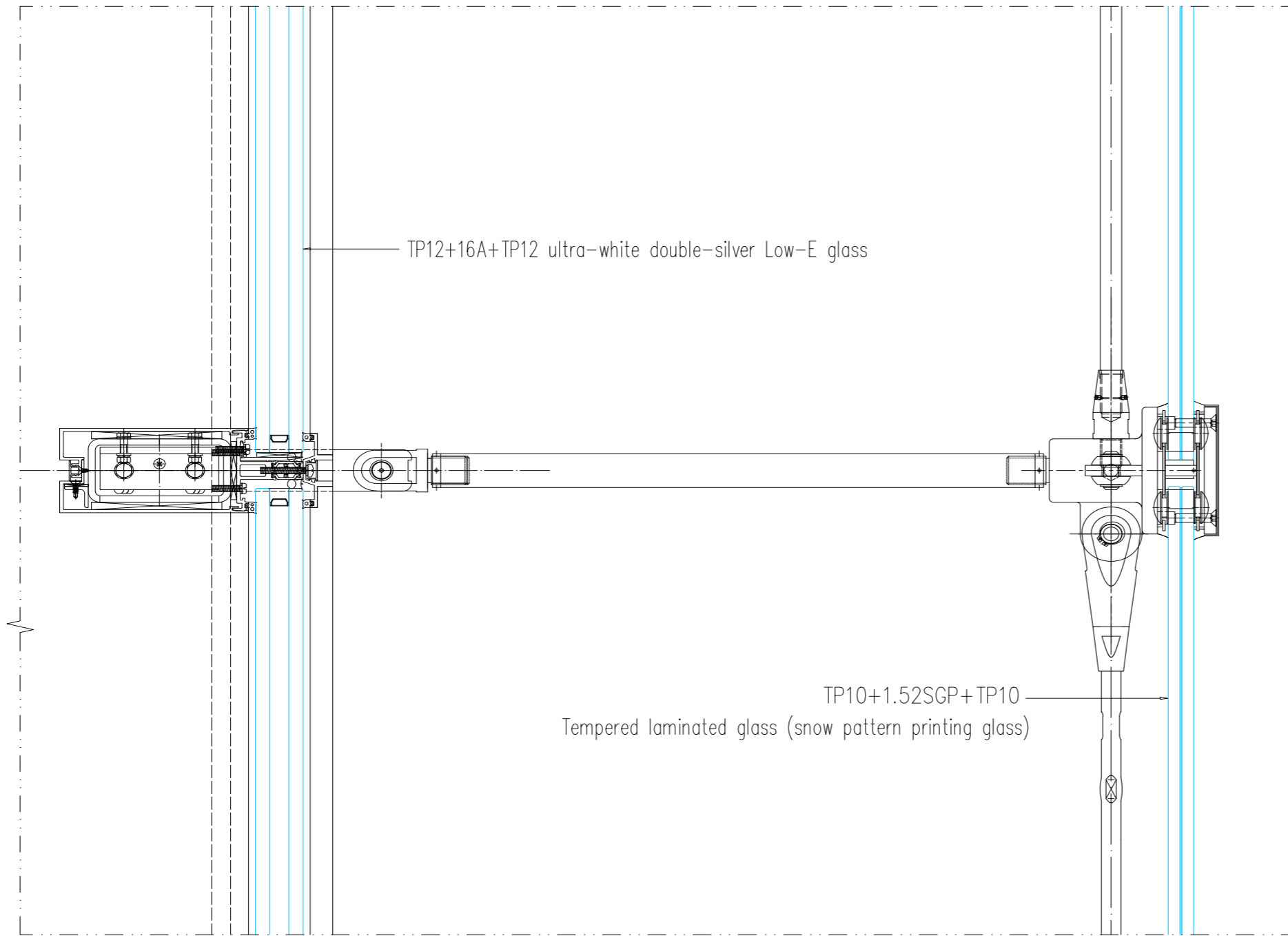
Eighth floor plan



West elevation



Section



Double facade principle