

STATION	0	A	B	C	E	7A	7	8	8A	9	9A	10
DISTANCE ABOVE BASELINE												
TOP OF RAIL	1550	1770	1693	1602	1529	1470	1355	—	—	1586	1620	1690
SHEER	1580	1908	1860	1610	1369	1306	1265	1255	1255	1240	1230	1390
UPPER CHINE	—	810	700	599	570	421	375	370	375	404	474	600
BASE PLATE	—	188	126	88	53	19	—	—	—	—	—	—
HALF BREATH'S												
TOP OF RAIL	—	460	1110	1446	1850	1965	2068	—	—	1969	1858	1658
SHEER	—	623	1160	1435	1728	1990	2070	2030	2055	2028	1969	1858
UPPER CHINE	—	320	430	420	459	494	469	490	493	480	433	—
EDGE OF BOTM	—	—	423	313	107.9	1380	1500	1500	1460	1290	1002	575

LINE OF VENTS

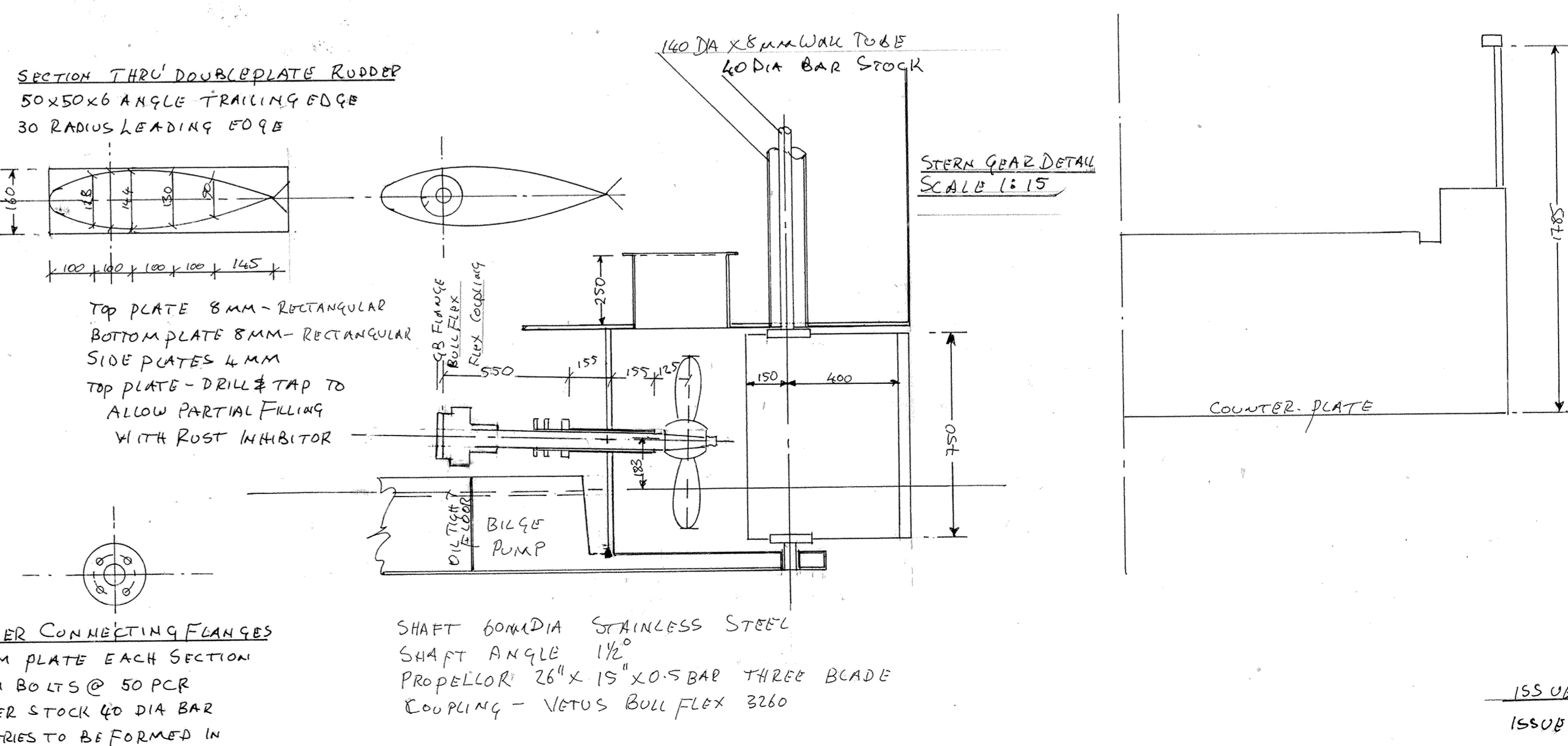
THRESHOLD

UPPER CARLIN

LOWER CARLIN

SIDEPLATES RISE AT CONSTANT 8"=123MM/WIDTH

CRAIN SIDES TURN HOME @ 6°



LOA 21'09" 6412"

LWL 20'70" 6271"

BELM 4'26" 1313"

DRAUGHT 0'87" 267"

DISP'T 34.4 T

**FLOATING CHURCH**  
 Sheet 1 Scale 1:20  
 © 2017 TUCKER DESIGNS  
 15, WRENSFIELD  
 HEMEL HEMPSTEAD  
 HP 1 1RN

155 UP 3 30/11/19  
 1550B 2 12/11/18  
 1550E 1 02/11/17