

MATTEO GERBI PRESENTS:

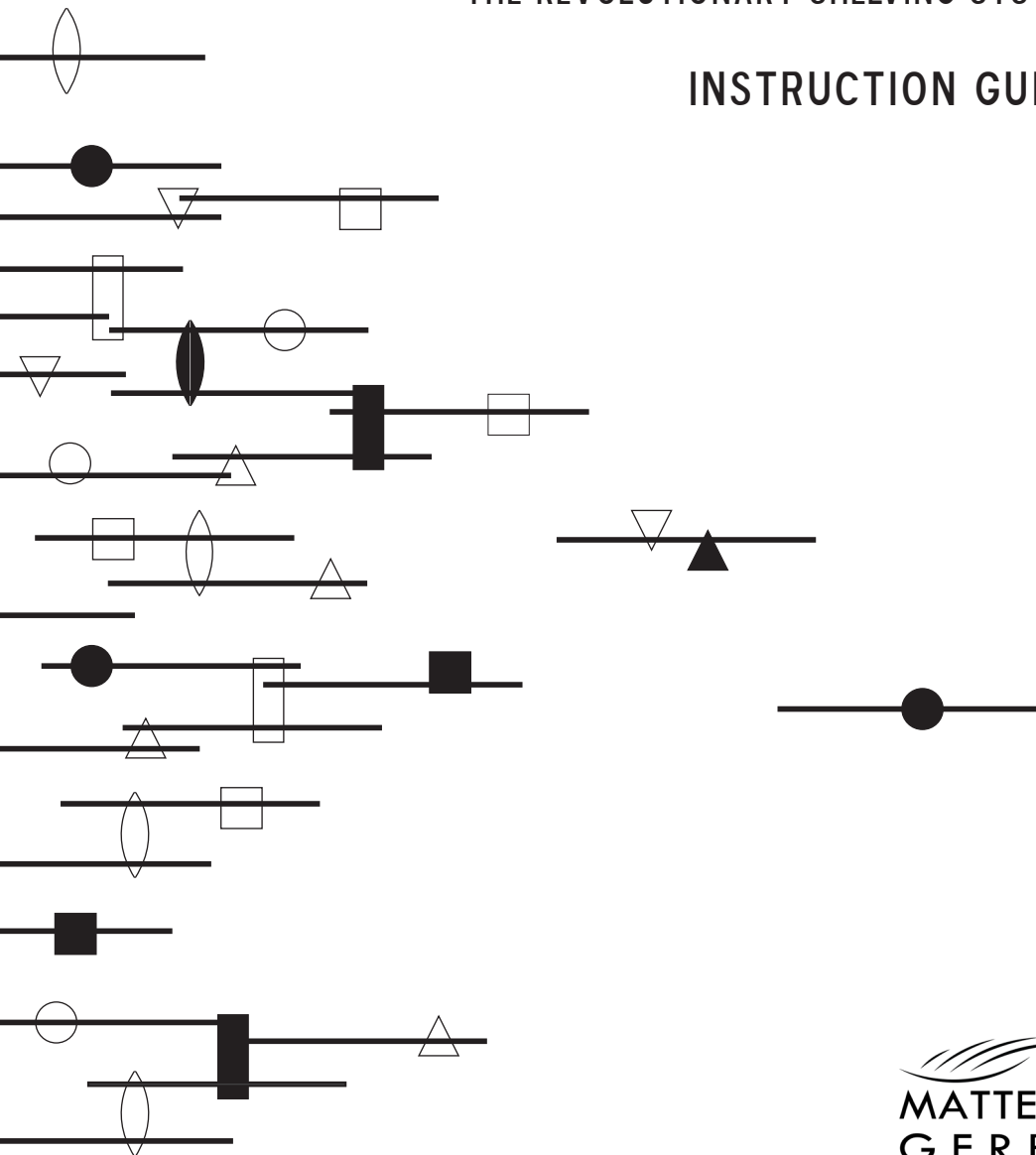
RAY SHELF

Design by **Matteo Gerbi**

WWW.RAYSHELF.MATTEOGERBI.COM - STORE@MATTEOGERBI.COM

THE REVOLUTIONARY SHELVING SYSTEM

INSTRUCTION GUIDE

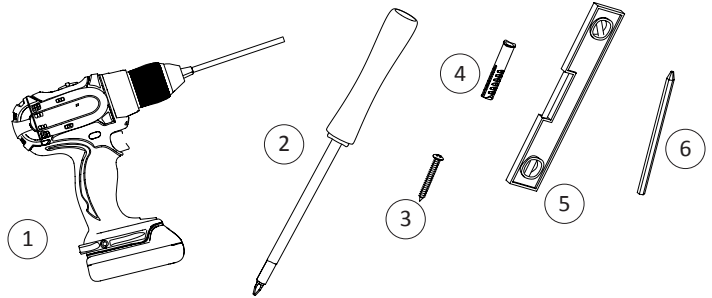



MATTEO
GERBI

RAY SHELF™ INSTALLATION GUIDE

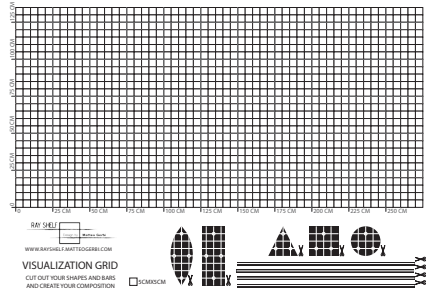
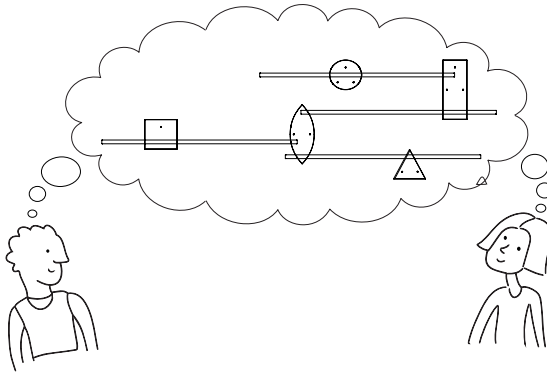
STEP 1: Make sure you have all tools

1. Drill
2. Screwdriver
3. Screw (INCLUDED)
4. Wall Plugs*
5. Spirit Level
6. Pencil



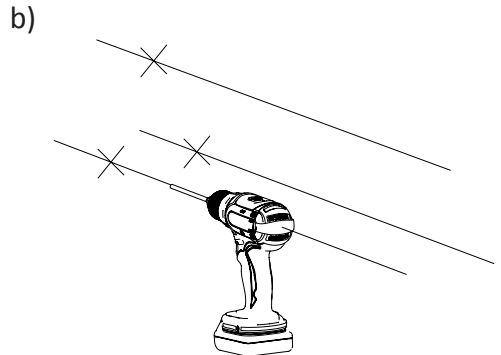
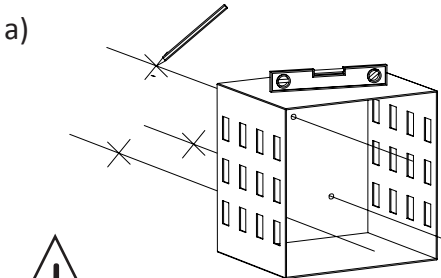
* FOR ADVICE ON SUITABLE WALL PLUGS CONTACT YOUR LOCAL DIY SHOP

STEP 2: Choose your favourite shapes and shelf bars and decide your combination



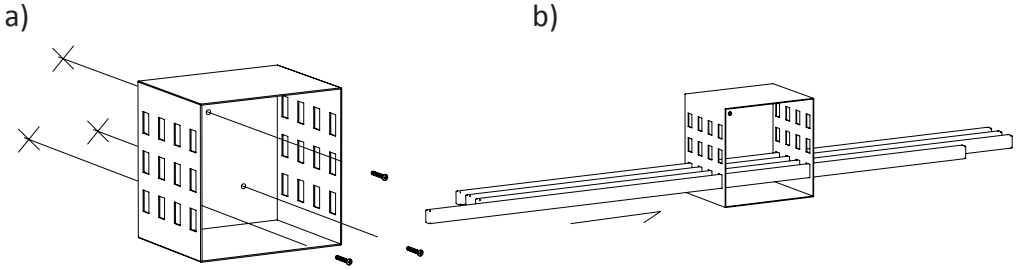
It is important to visualise your chosen composition before commencing installation. A **Visualisation Grid** is included in the packaging, or may be downloaded from www.rayshelf.matteogerbi.com

STEP 3: INSTALL THE FIRST SUPPORT **a)** Mark the screw holes with a pencil **b)** Drill the holes in the wall and insert the wall plugs.

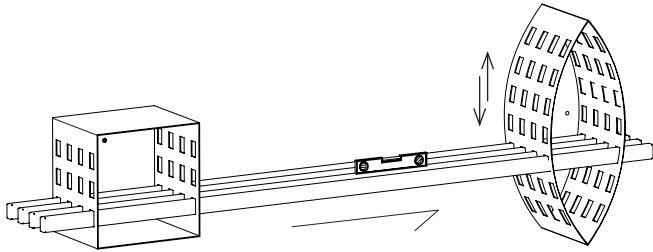


Use the level to fix the support correctly.

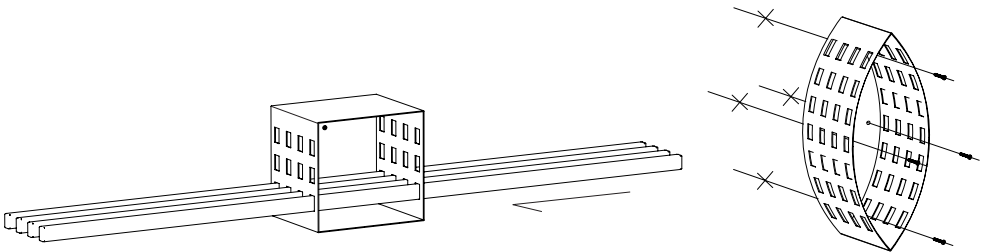
STEP 4: a) Screw the support to the wall **b)** Insert the first set of bars into the first support



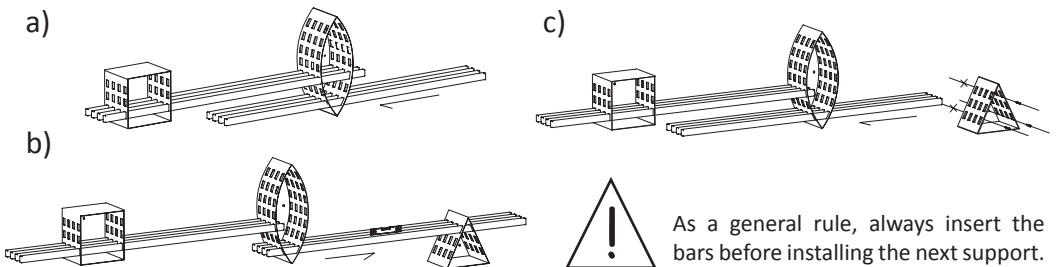
STEP 5: INSTALL THE SECOND SUPPORT. Slide the first set of bars into the second support. The level will help you find the correct alignment



STEP 6: Once you have finalized the correct position, take out the bars and fix the second support to the wall (see step 3 and 4)

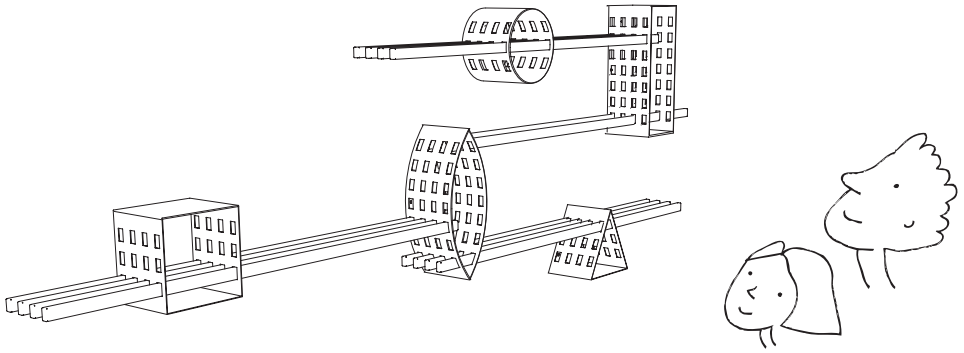


STEP 7: You can now fix all the other shapes just following steps 3,4,5 and 6.

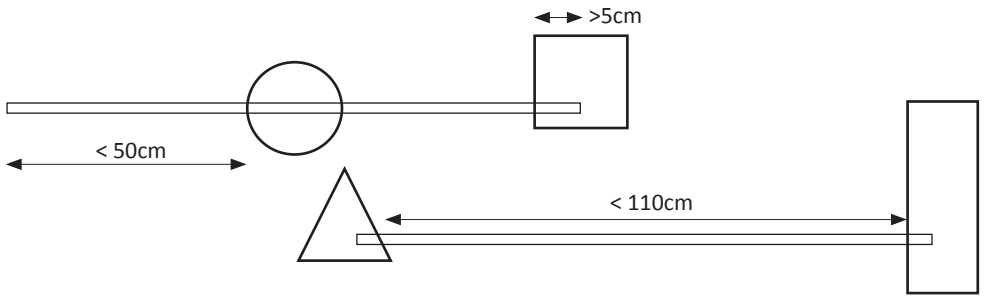


As a general rule, always insert the bars before installing the next support.

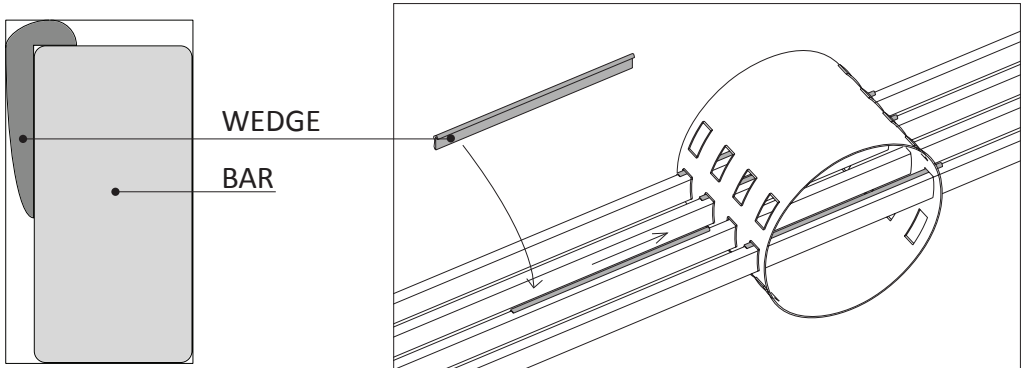
STEP 8: YOUR RAY SHELF IS NOW COMPLETE!



Note 1 : Maximum projections and span allowance



Note 2 : Tighten the bars to the support (Optional)



The holes in the supports have been designed to be larger than the circumference of the bars, to allow for movement and adjustment in case of uneven wall surfaces. If you wish to tighten the bars to the support please use the wedges provided within the box. Please note that these function only to tighten the bars and **not to fix them to the support.**

RAY SHELF™ SYSTEM IS DESIGN REGISTERED AND PATENT PENDING
RAY SHELF™ IS A TRADING NAME OF MATTEO GERBI LIMITED.
RAY SHELF™ IS DISTRIBUTED BY MATTEO GERBI LIMITED
MATTEO GERBI LIMITED IS REGISTERED IN ENGLAND AND WALES REG. NO. 07880415
© COPYRIGHT MATTEO GERBI LIMITED. REV 4.0