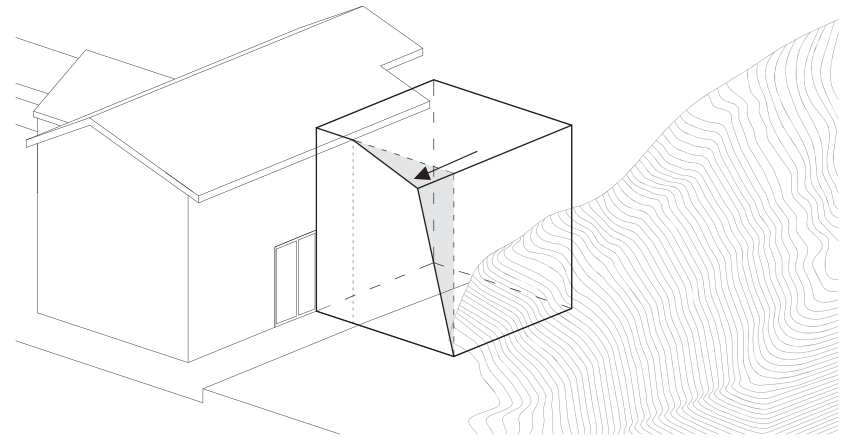
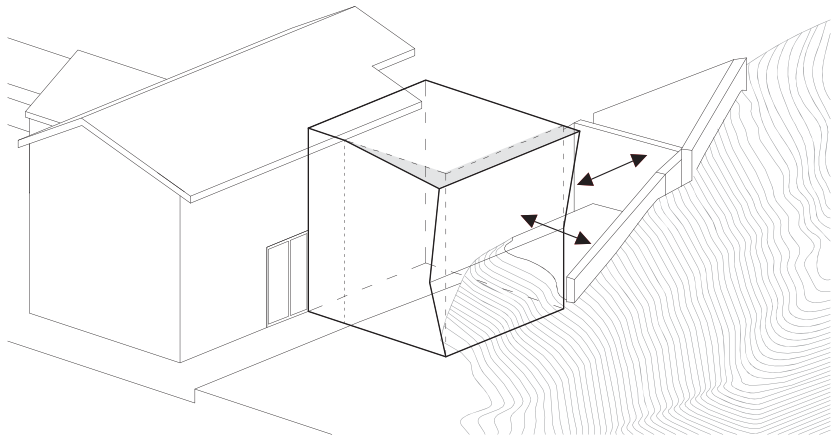


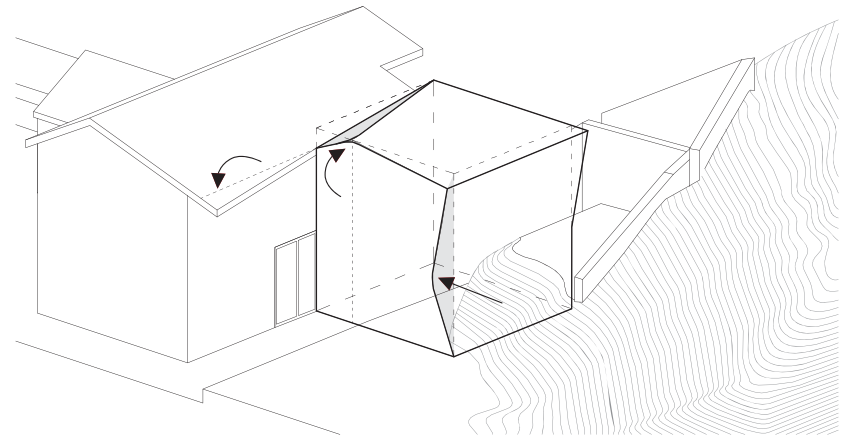
(1) Initial Site Condition  
& Preliminary Massing



(2) Programmatic Adjustment



(3) Siteworks & Required  
Clearances



(4) Roofline Adjustment