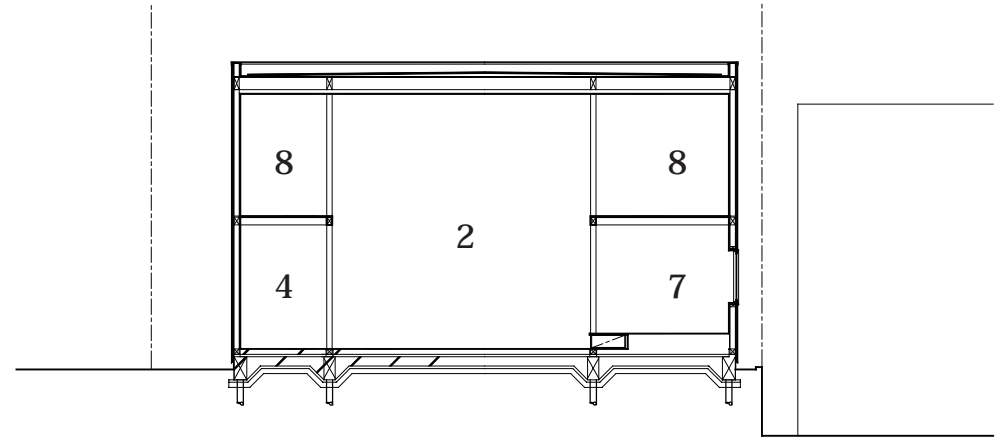
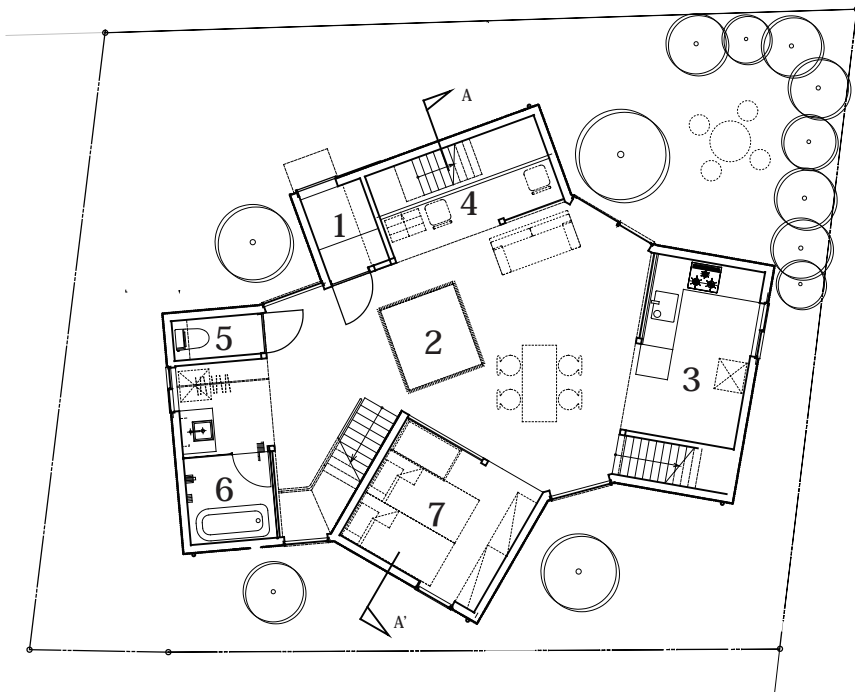


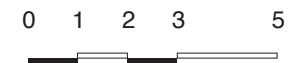
2nd floor plan



A-A' section



1st floor plan



- 1. Entrance
- 2. Living & Dining
- 3. Kitchen
- 4. Work space
- 5. Toilet
- 6. Bath
- 7. Bed room
- 8. Vacant space
- 9. Void