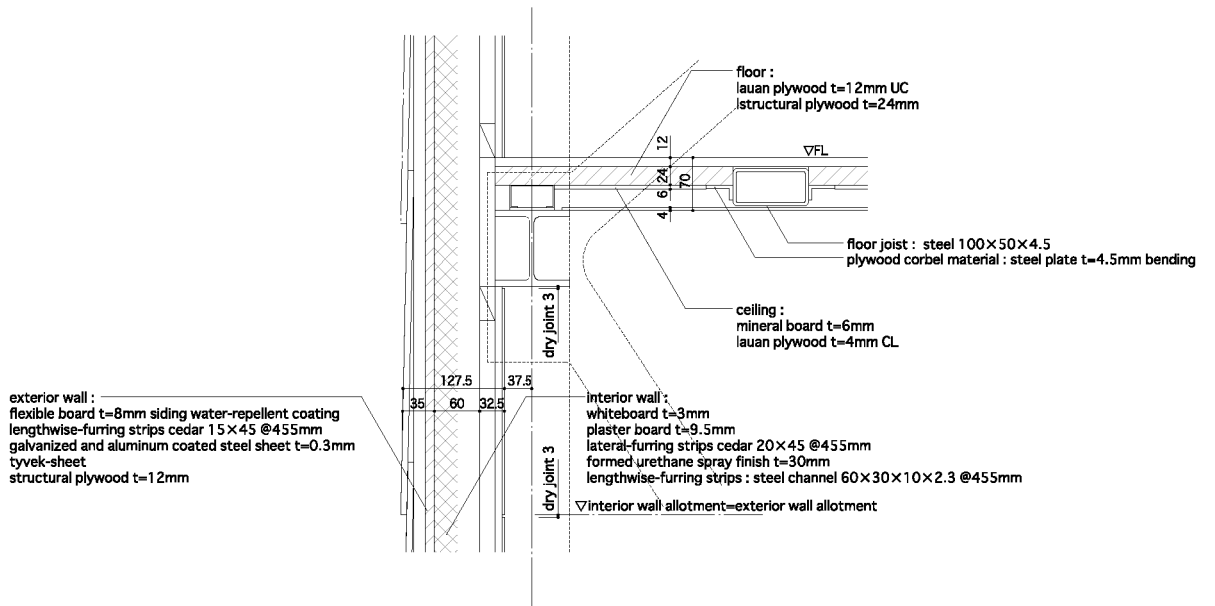
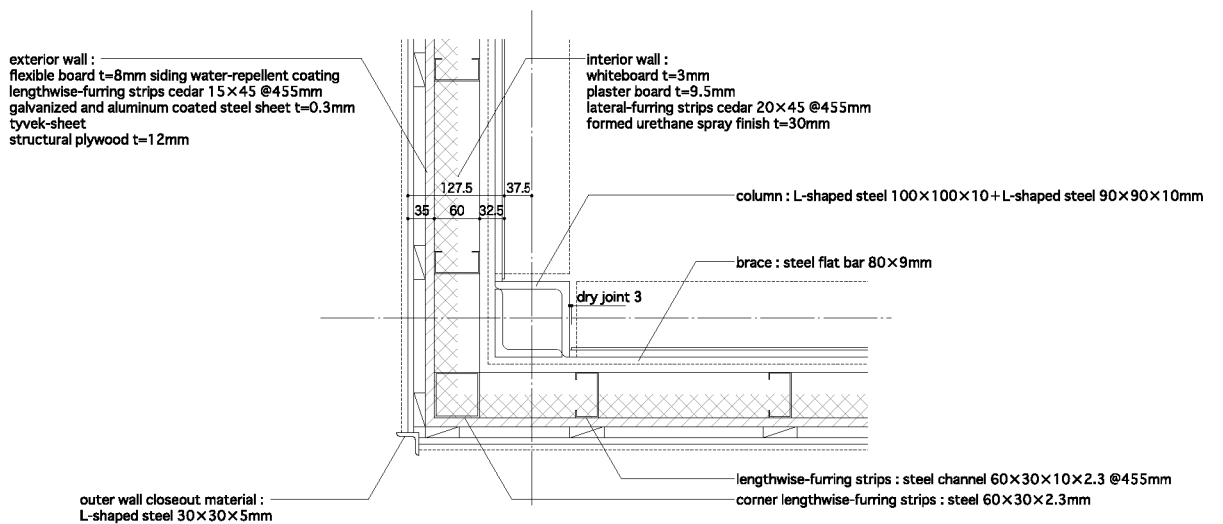


Brace junction section detail 1/10



Floor, wall junction section detail 1/10



Wall corner plan detail 1/10