

- 1 -ridge 20/24cm
- 2 -rafter 12/16cm
- 3 -column 16/16cm

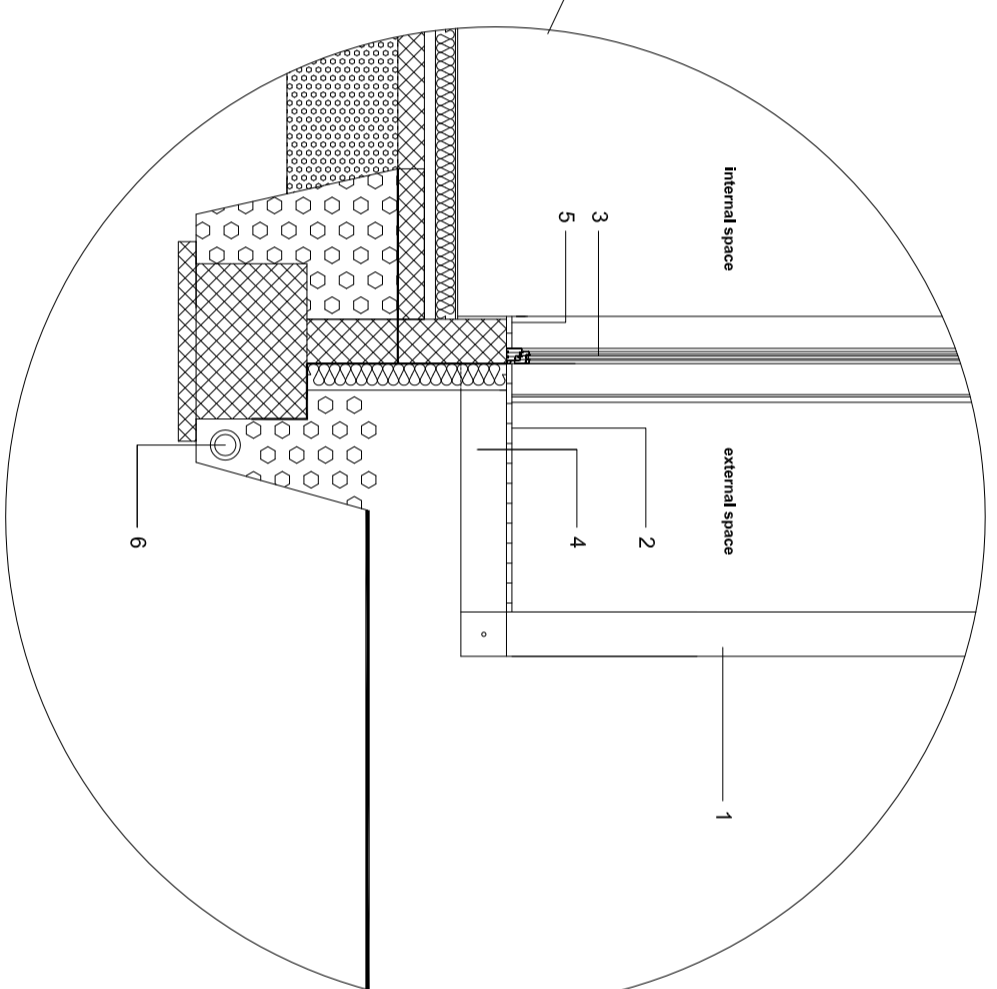
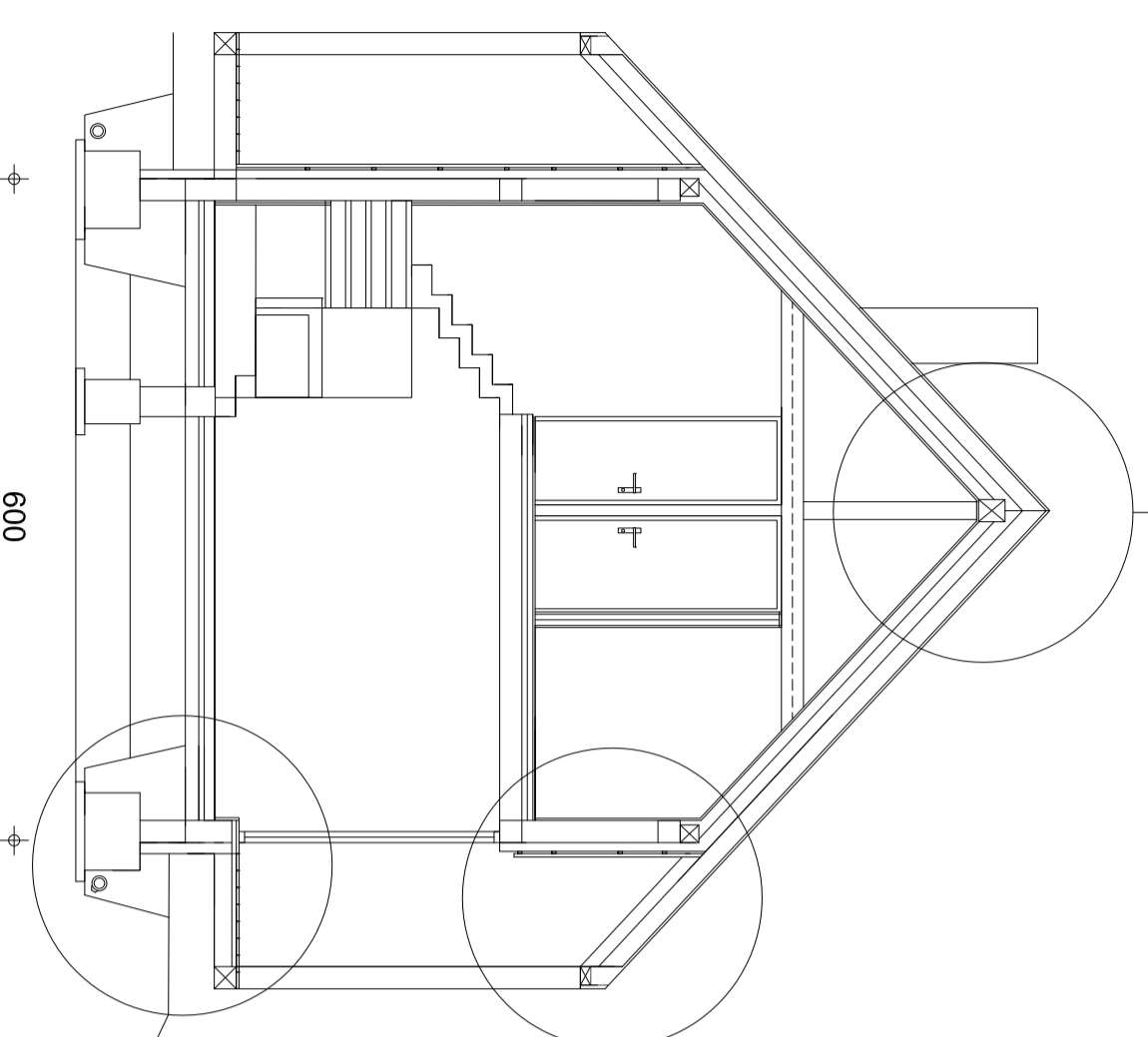
- 1 C roof construction
 - covering - eternit tiles 1.5 cm
 - timber structure: 5/4 cm 4.0 cm
 - ventilated cavity: 7/5 cm 5.0 cm
 - rainproof foil
 - wooden panels 2.5 cm
 - timber beam 12/16 cm 16.0 cm
 - thermal insulation 4.0 cm
 - plasterboard

- 2 -panel under the roof 4.0 cm
- larch strip 3/4 cm spacing 2 cm
- 3 -wooden mask chute/gutter 2.5 cm
- 4 -wooden mask chute larch 20/2.5 cm 2.5 cm

- 5 A2 mansard roof
 - pressure-finished parquet 1.5 cm
 - reinforced cement 6.0 cm
 - PVC sheeting 5.5 cm
 - sound insulation 20.0 cm
 - reinforced concrete slab 20.0 cm
- 6 -wooden pillar larch 20/20 cm 20.0 cm

- 7 B2 facade
 - wooden coating 2.0 cm
 - thermal insulation 5.0 cm
 - clay bricks 20.0 cm
 - plaster facade 8.0 cm
 - (thermal insulation 7+facade plaster 1)
 - larch-strip 3/4 cm 4.0 cm
- 8 -larch strip 3/4cm spacing 2 cm 4.0 cm
- 9 -larch board 3/4cm spacing 2 cm 4.0 cm

- 1 -wooden pillar larch 20/20cm 20.0 cm
- 2 -wooden mask-chute/gutter 3.0 cm
- 3 -window
- 4 -wood-beam-larch 20x20cm 20.0 cm
- 5 -window board 3.0 cm
- 6 -drainage



0 1 m