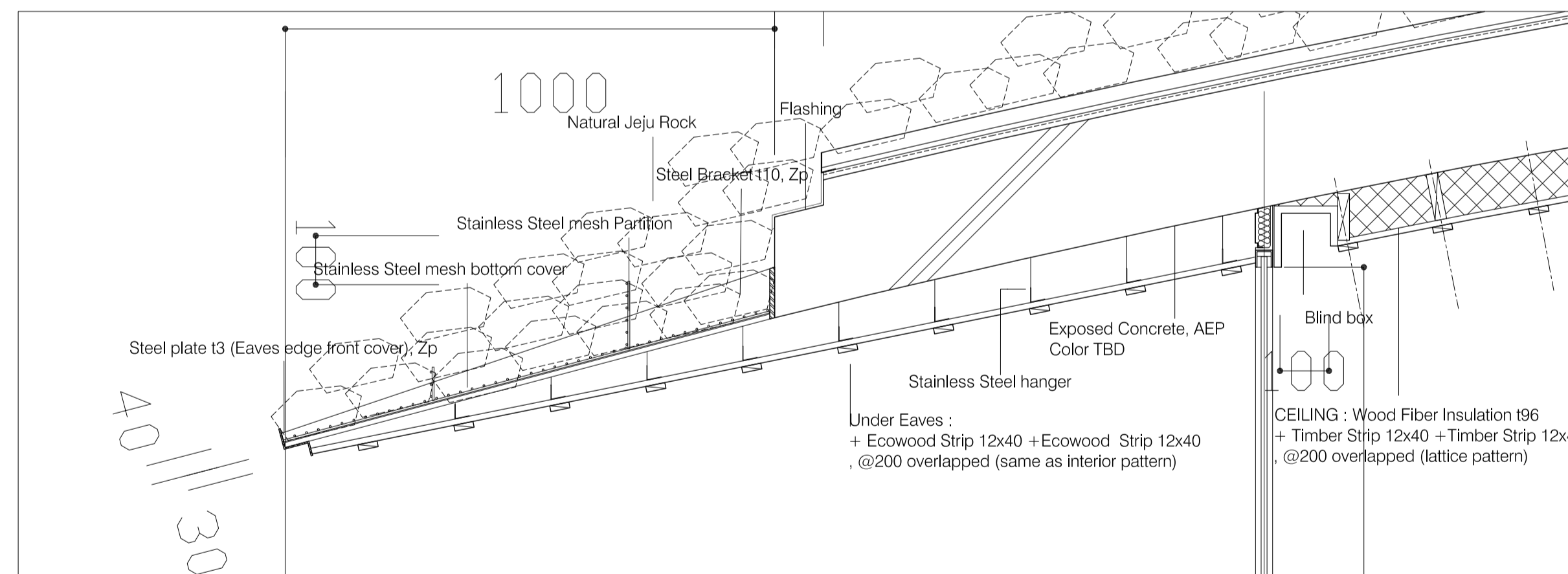
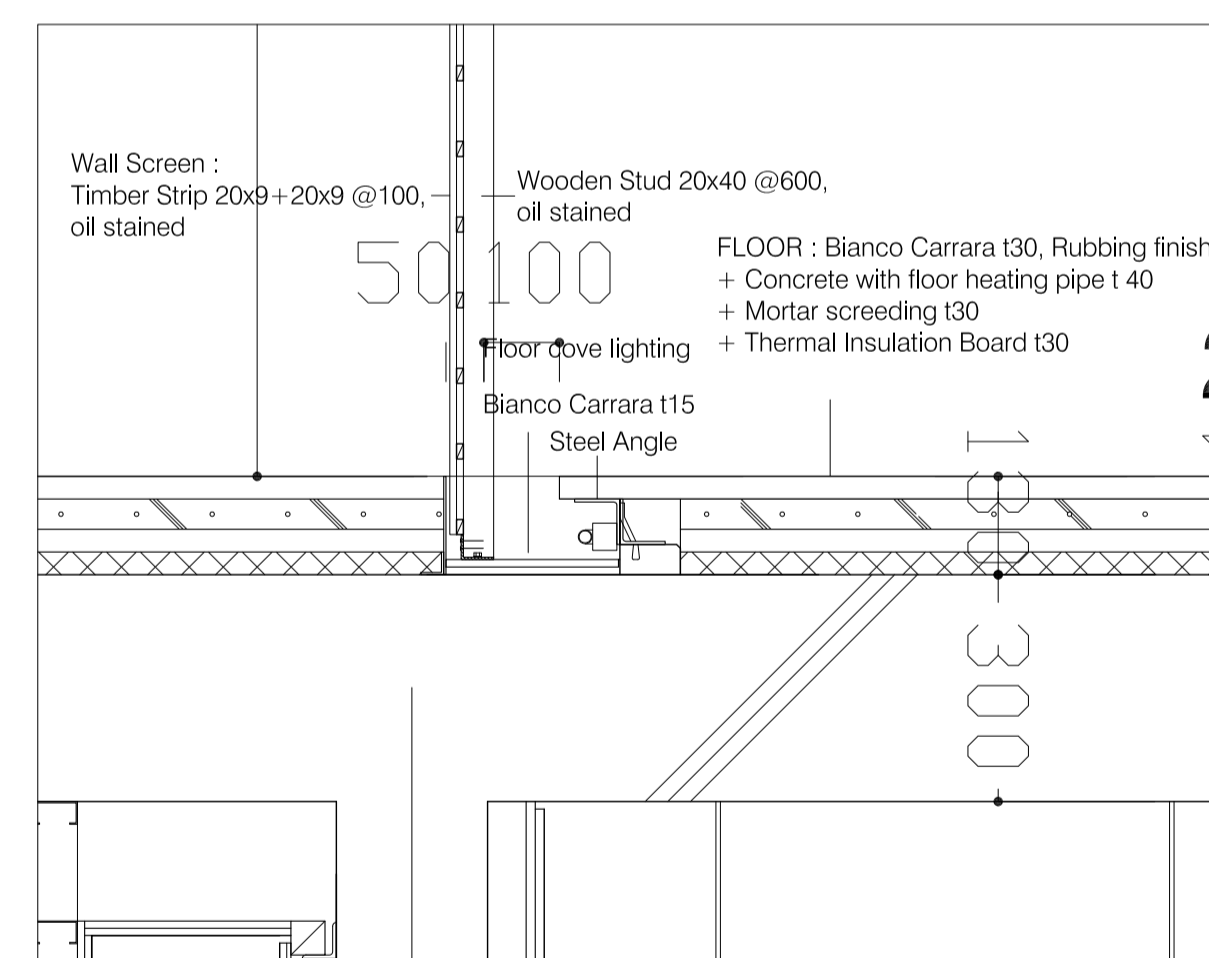


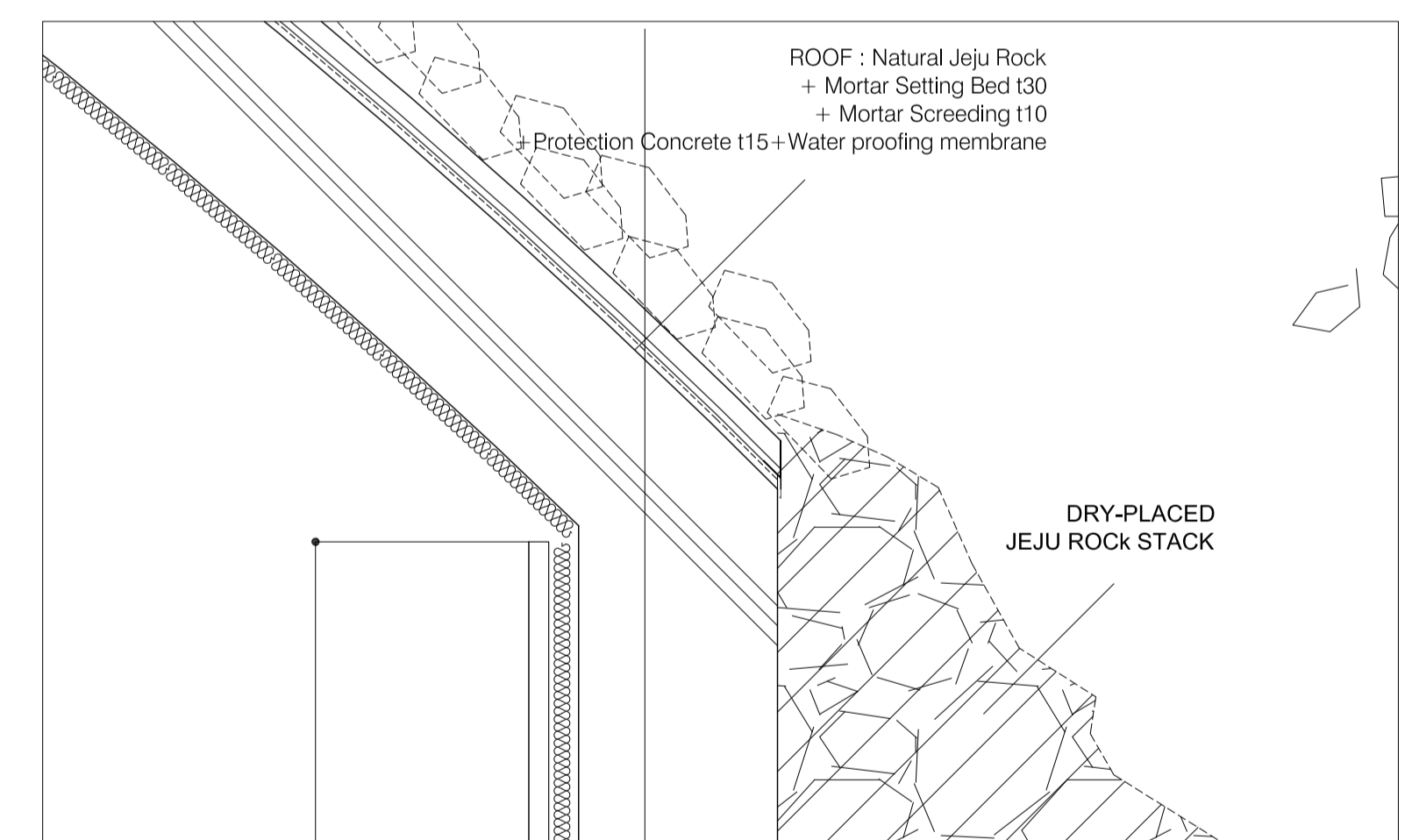
B-B' SECTION 1/50



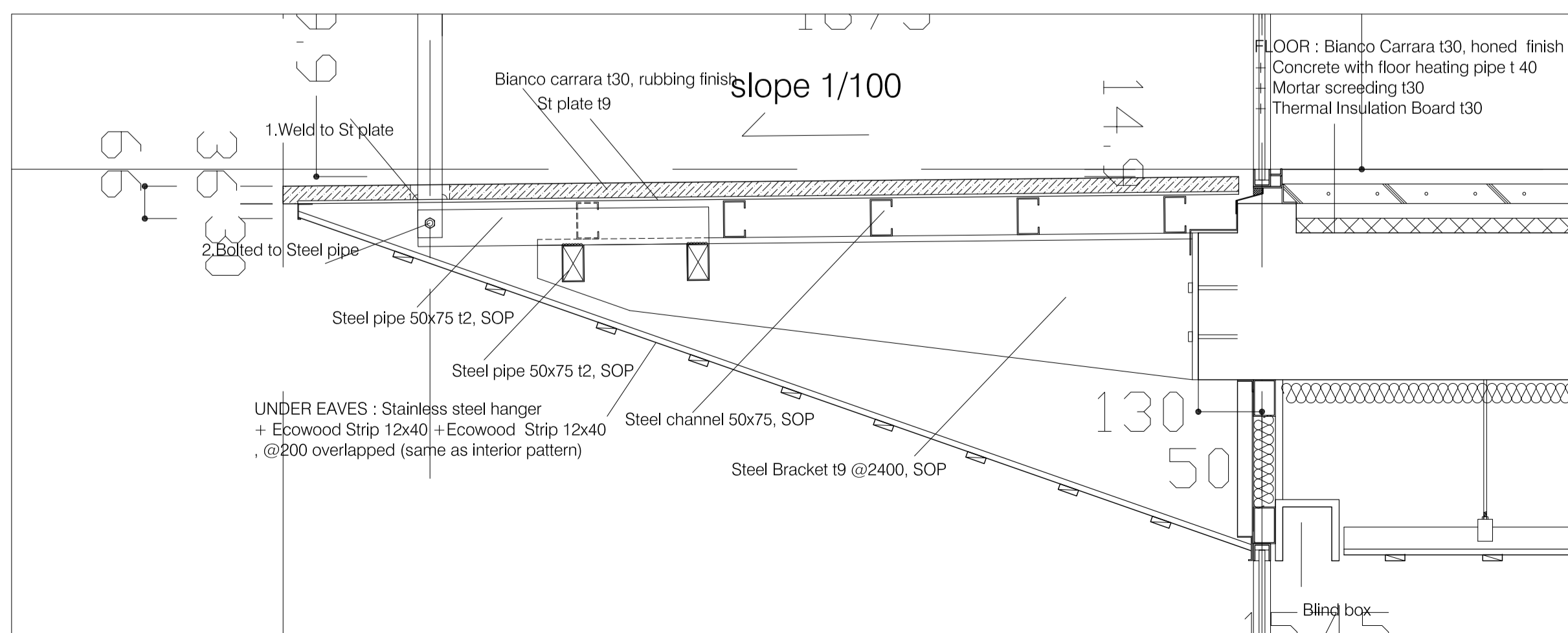
B-02 detail 1/10



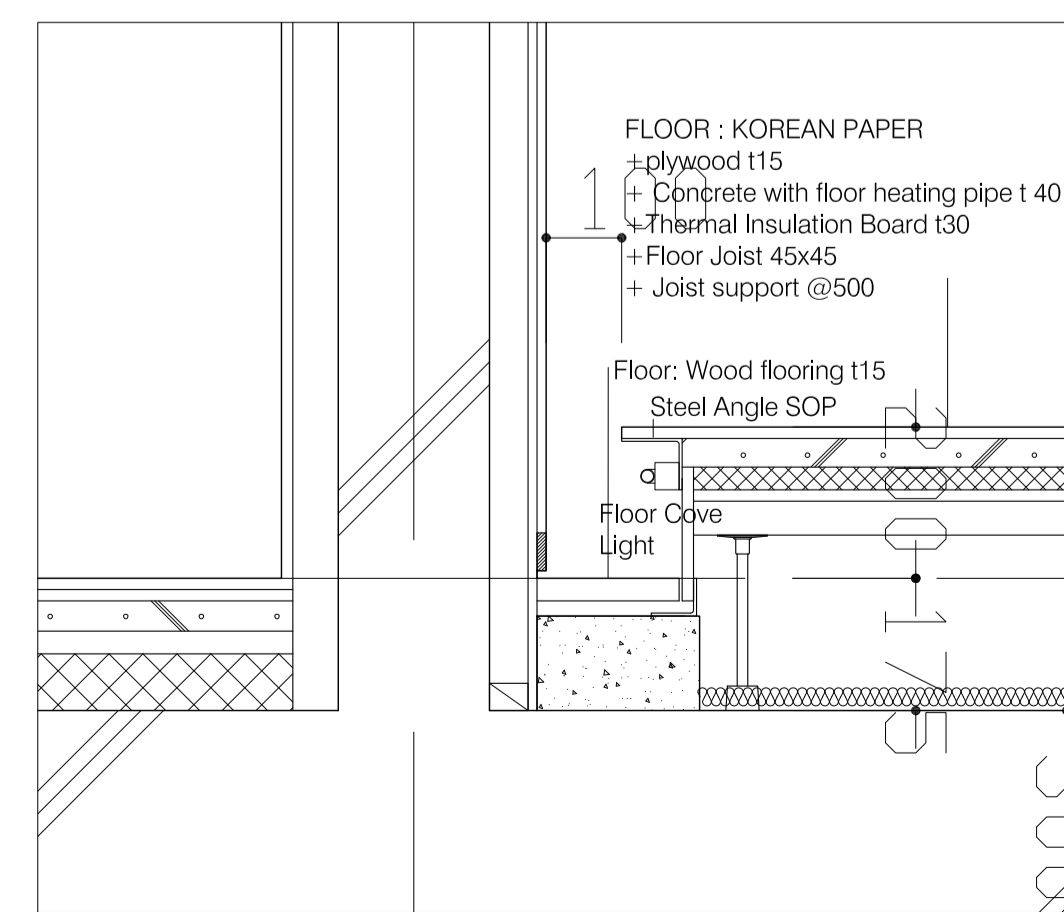
B-04 detail 1/10



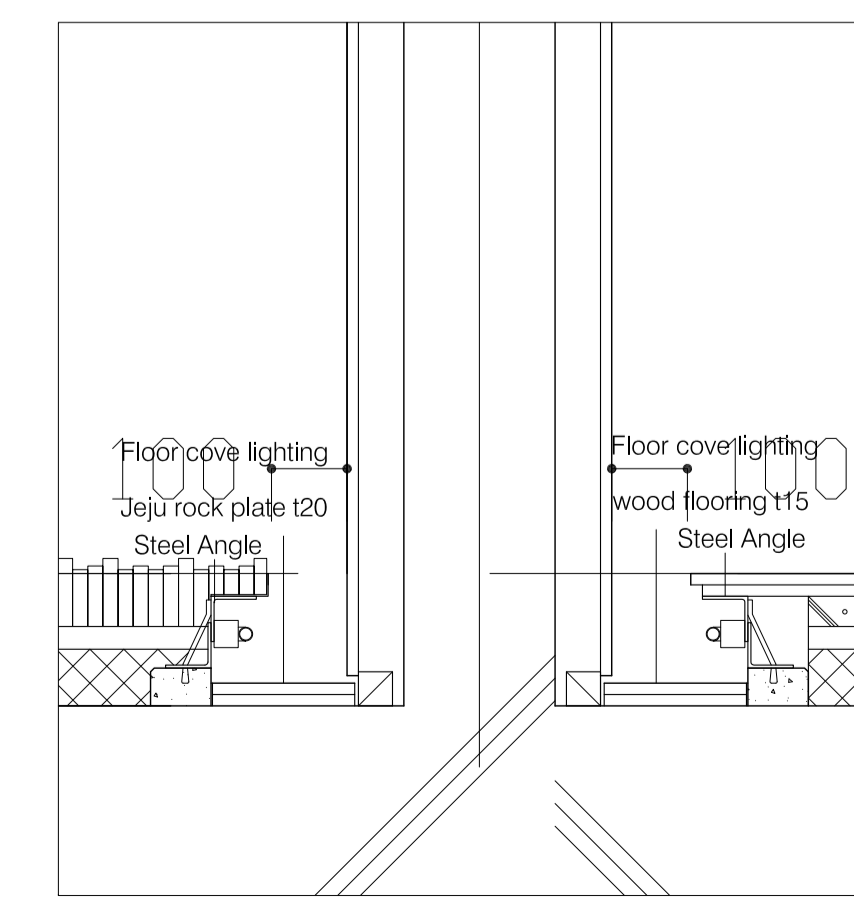
B-07 detail 1/10



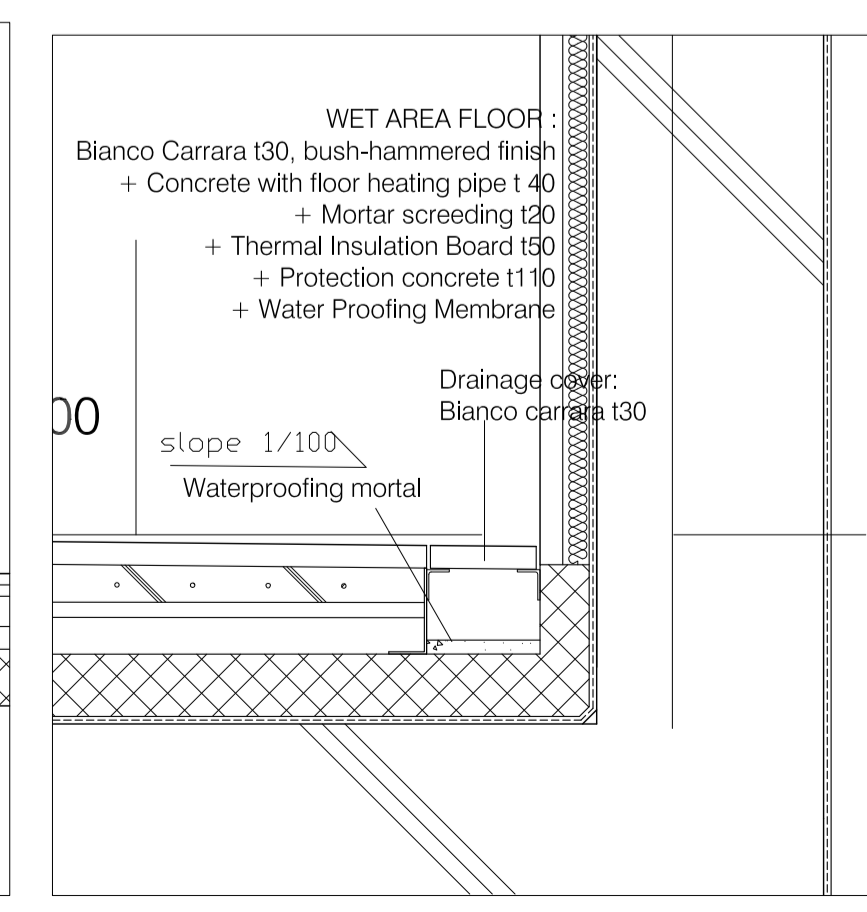
B-01 detail 1/10



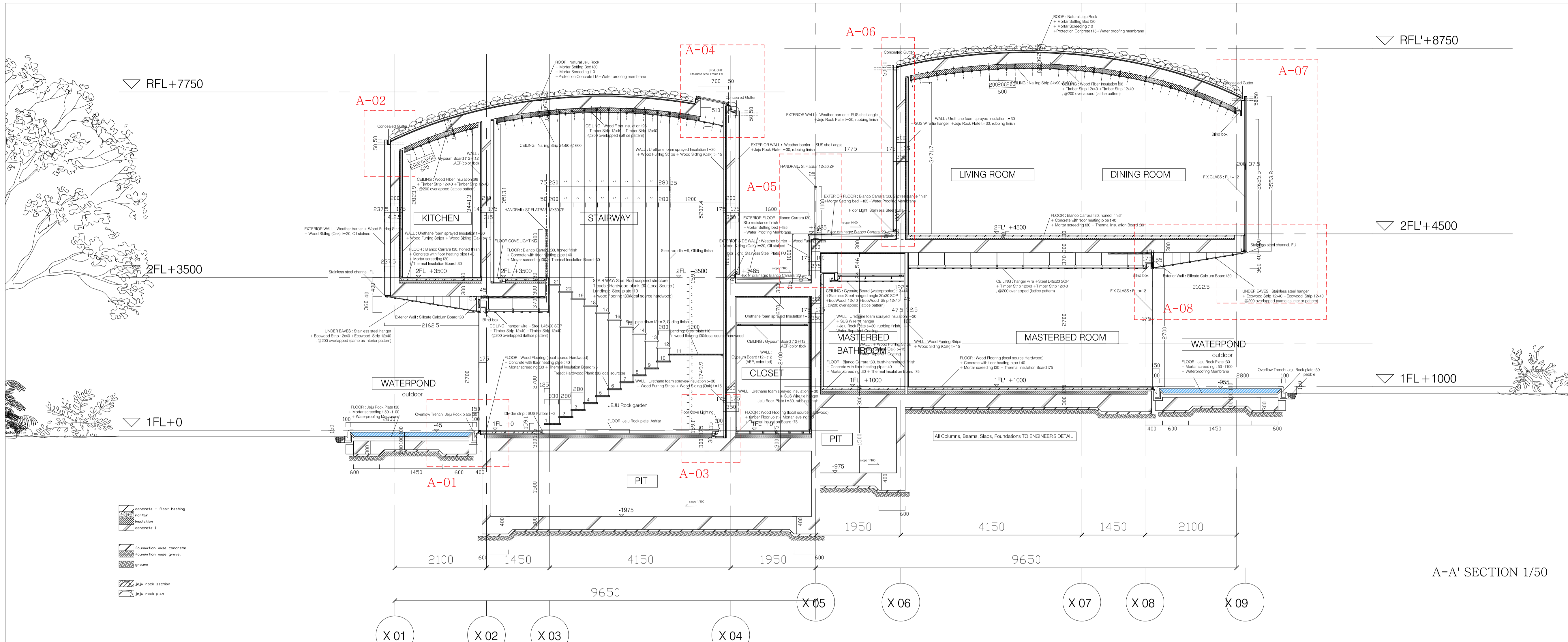
B-03 detail 1/10



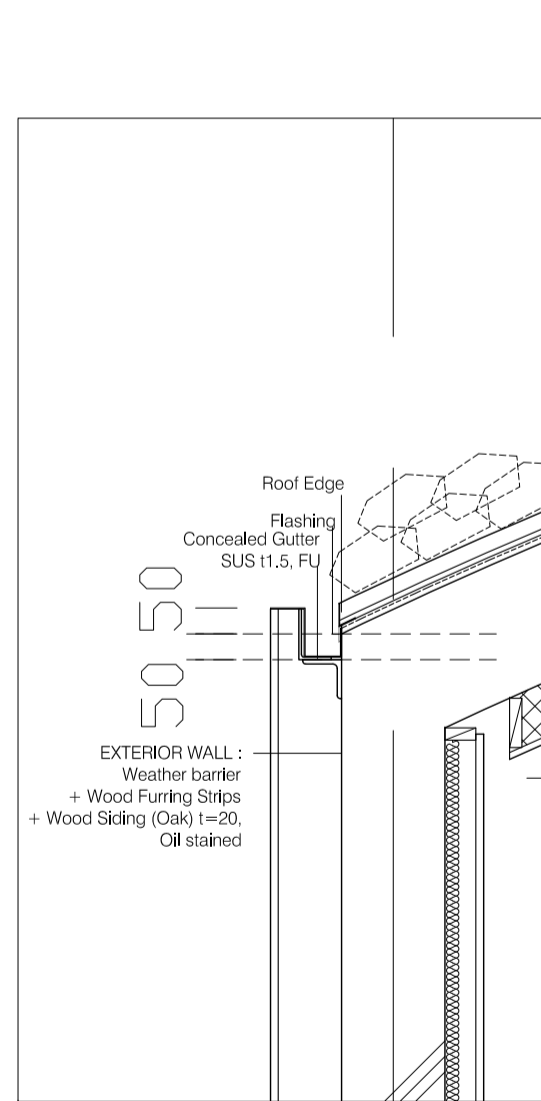
B-05 detail 1/10



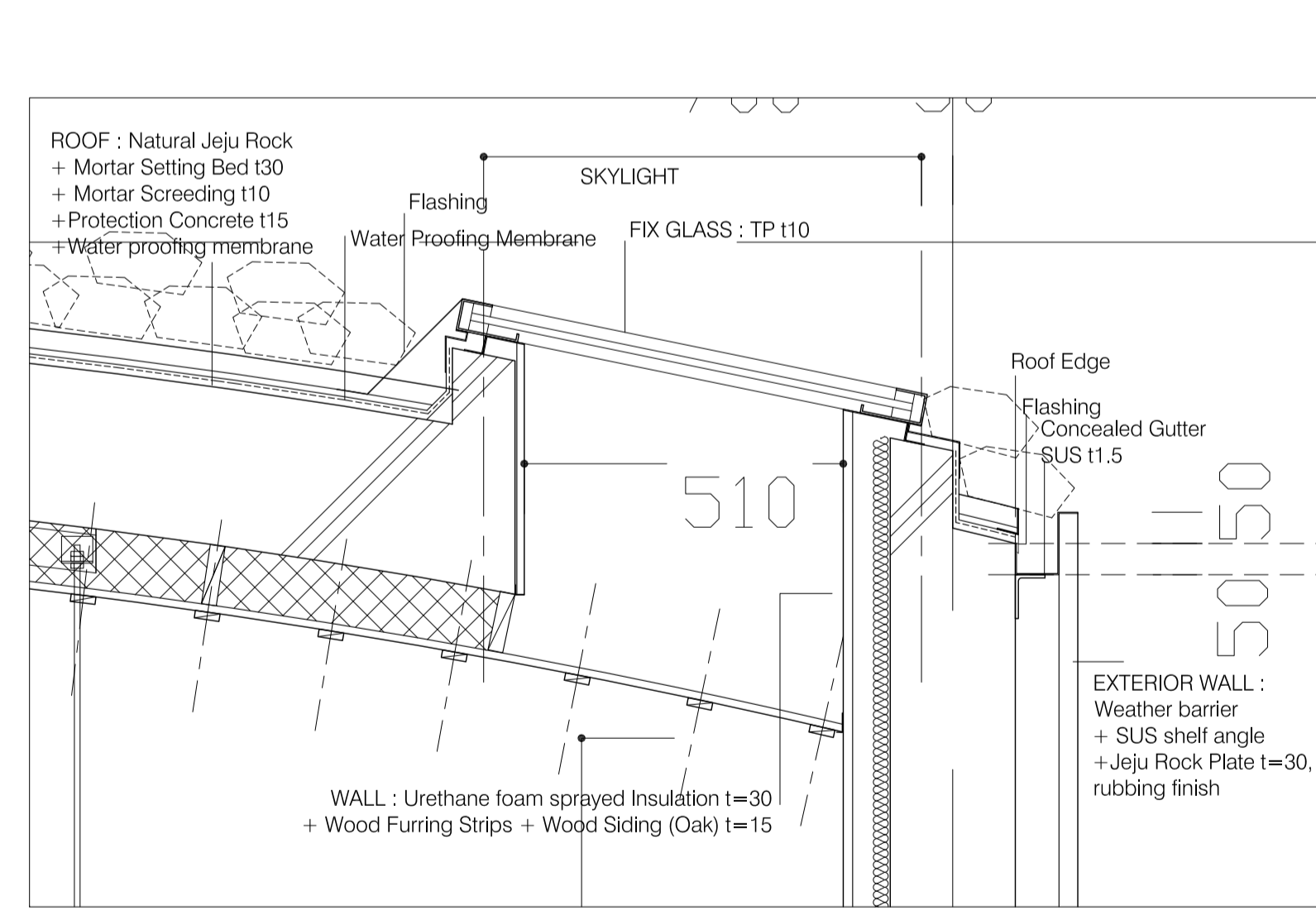
B-06 detail 1/10



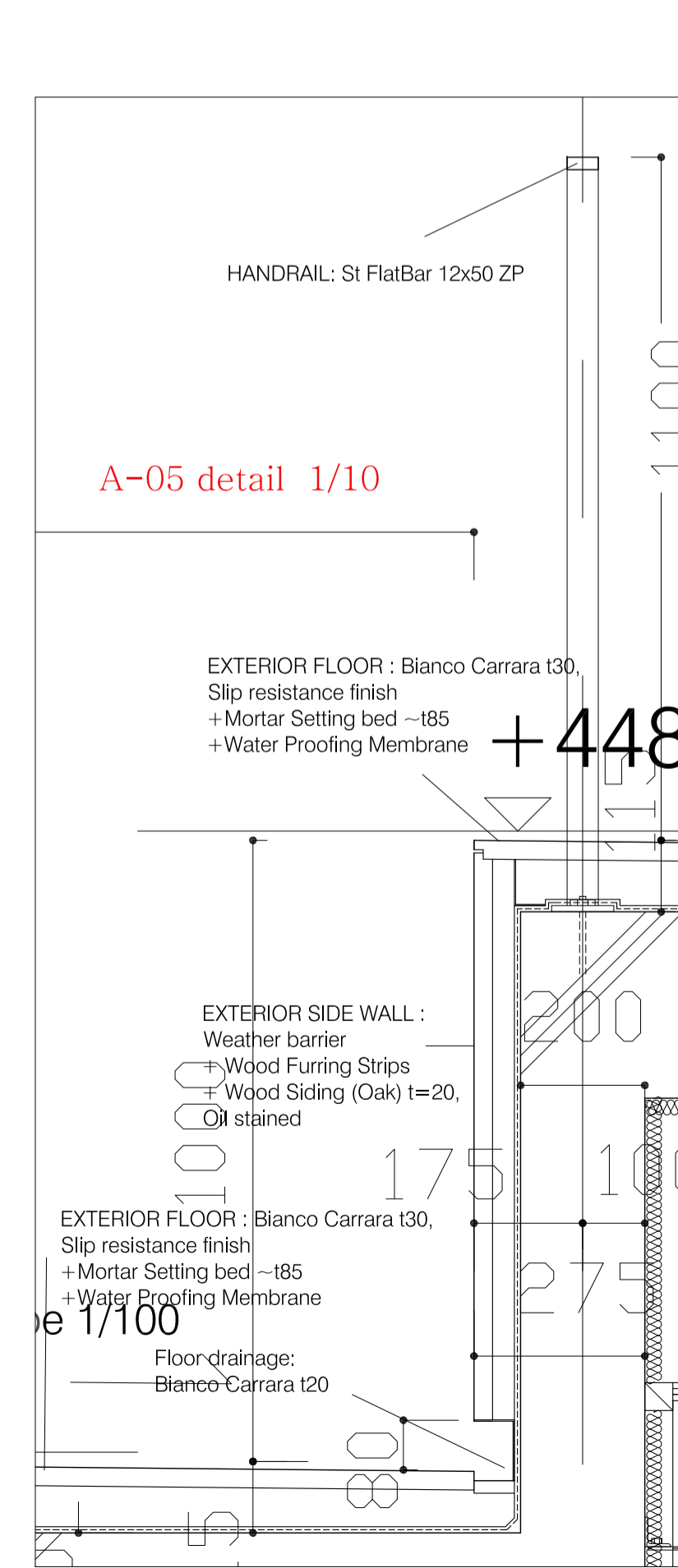
A-A' SECTION 1/50



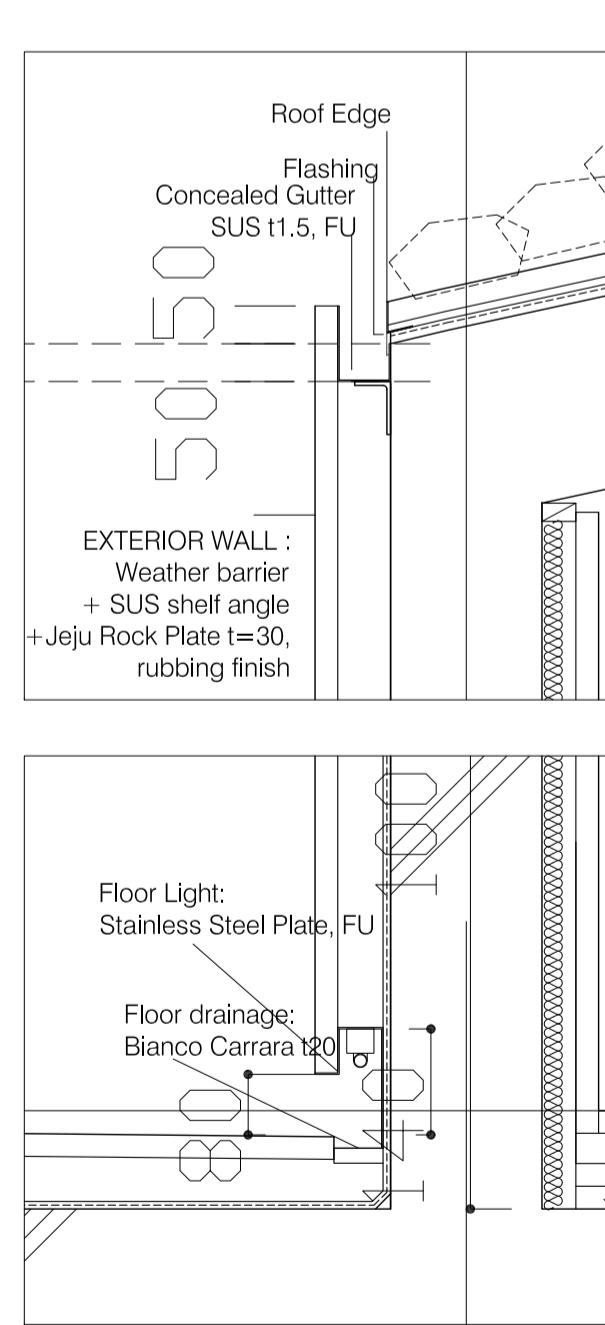
A-02 detail 1/10



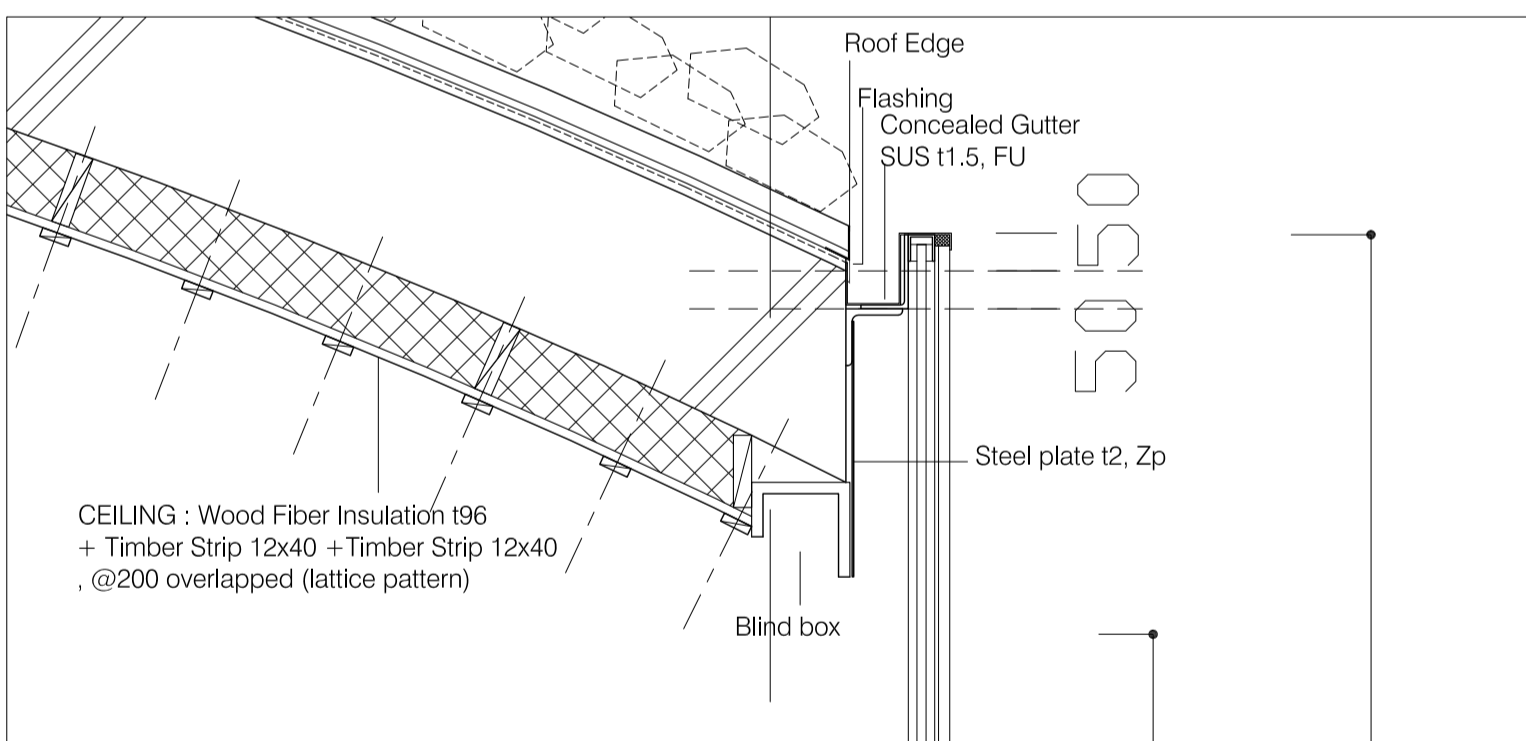
A-04 detail 1/10



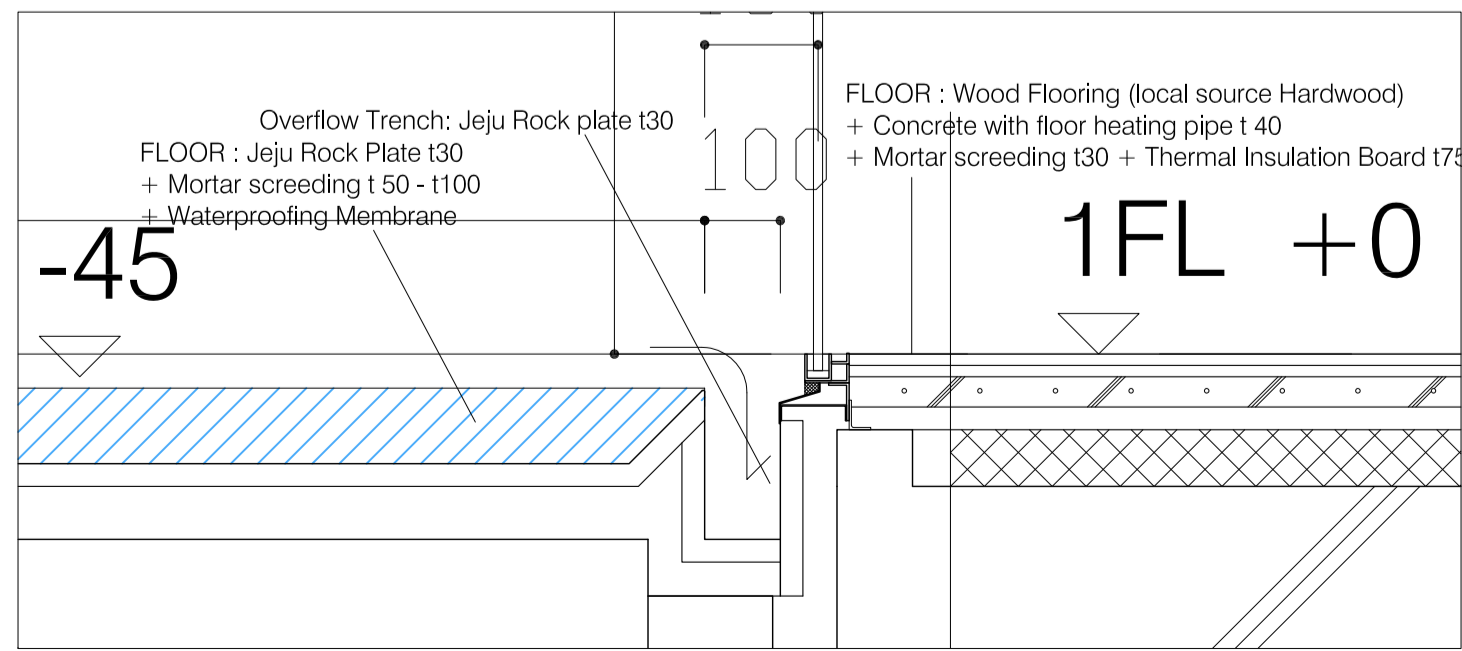
A-05 detail 1/10



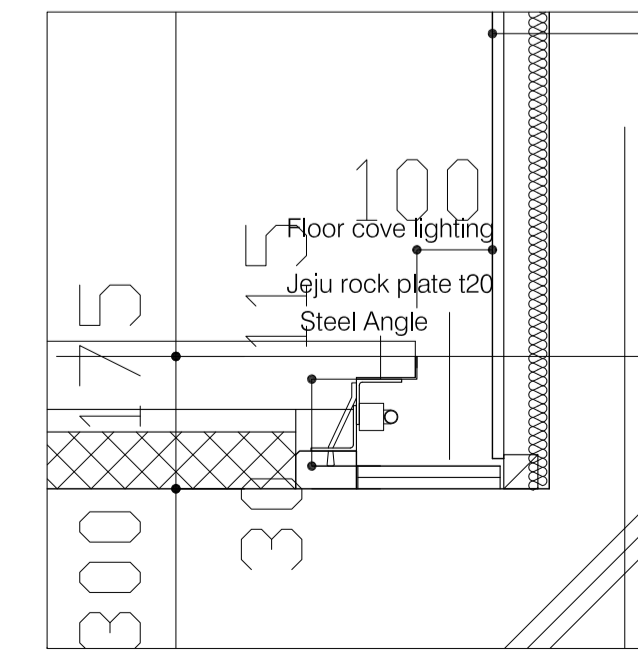
A-06 detail 1/10



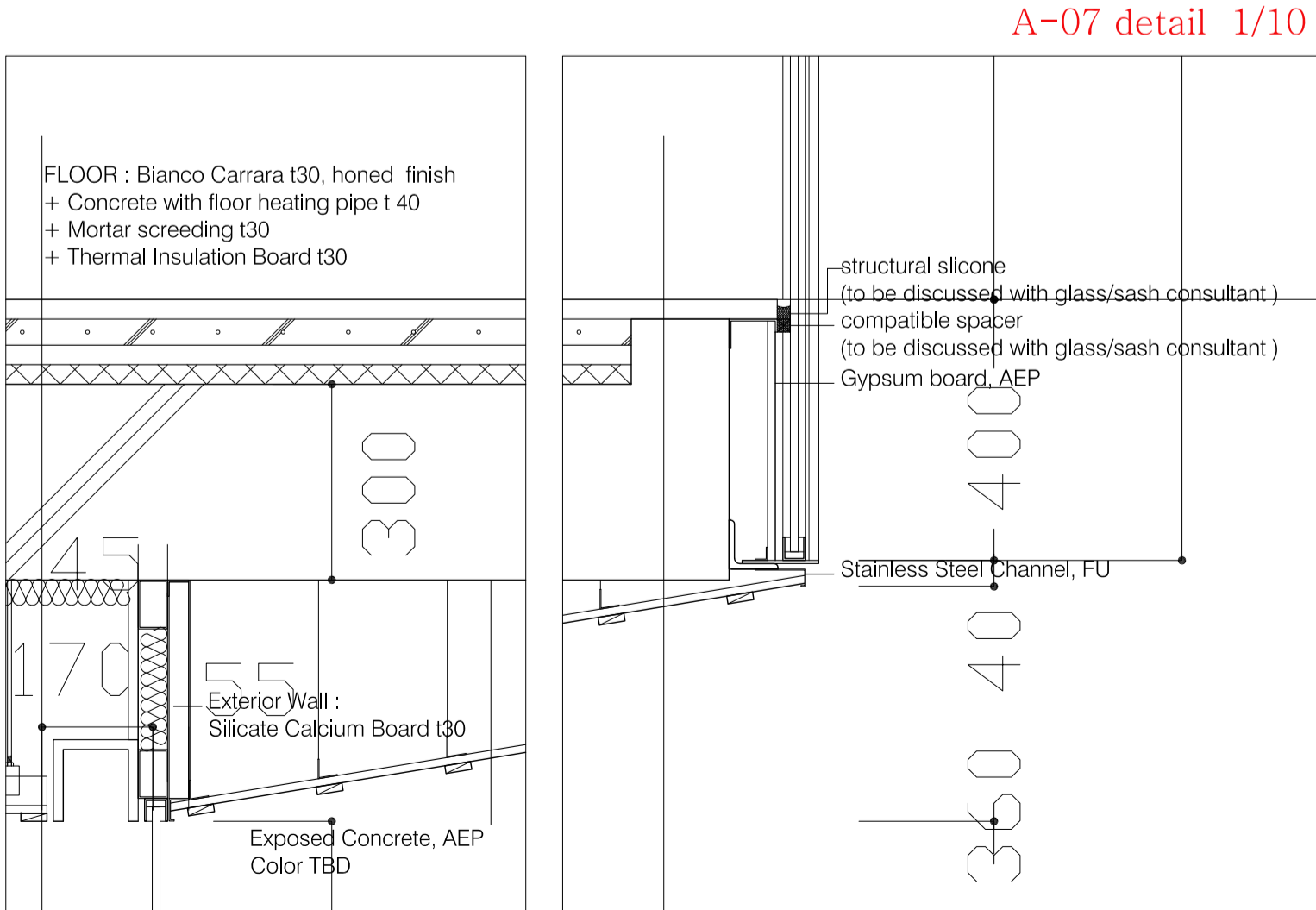
A-07 detail 1/10



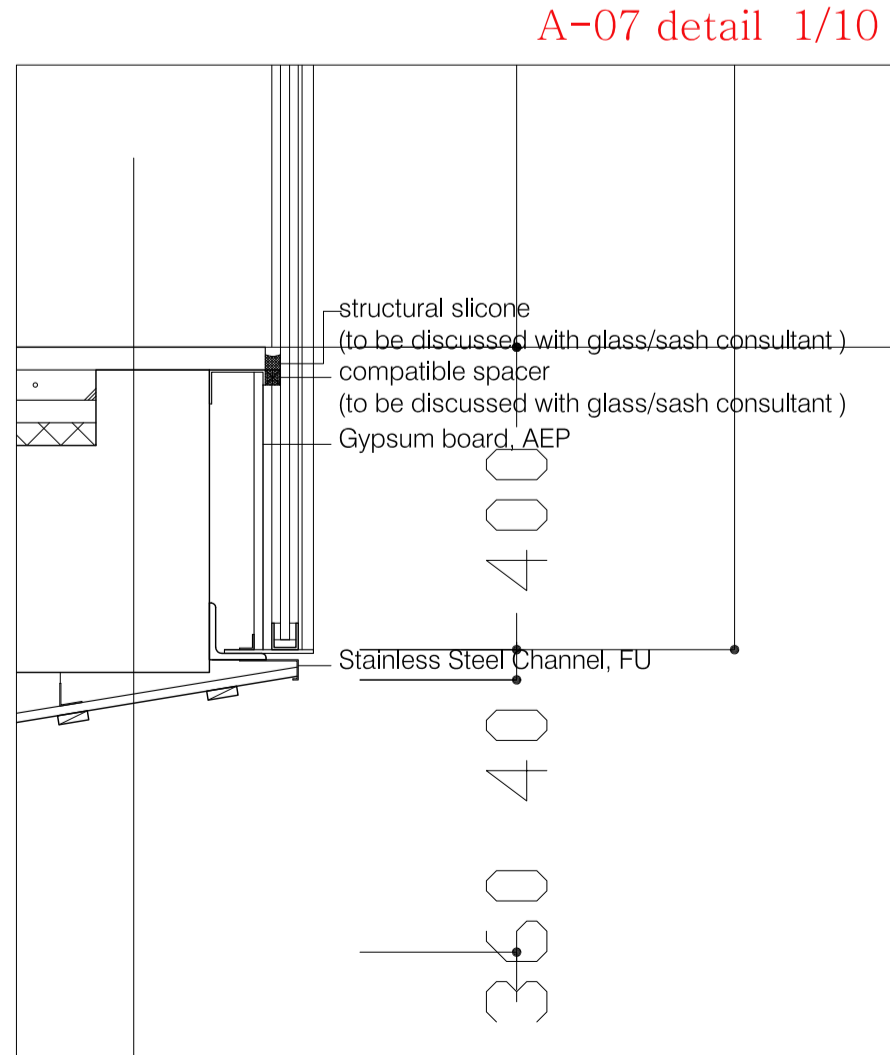
A-01 detail 1/10



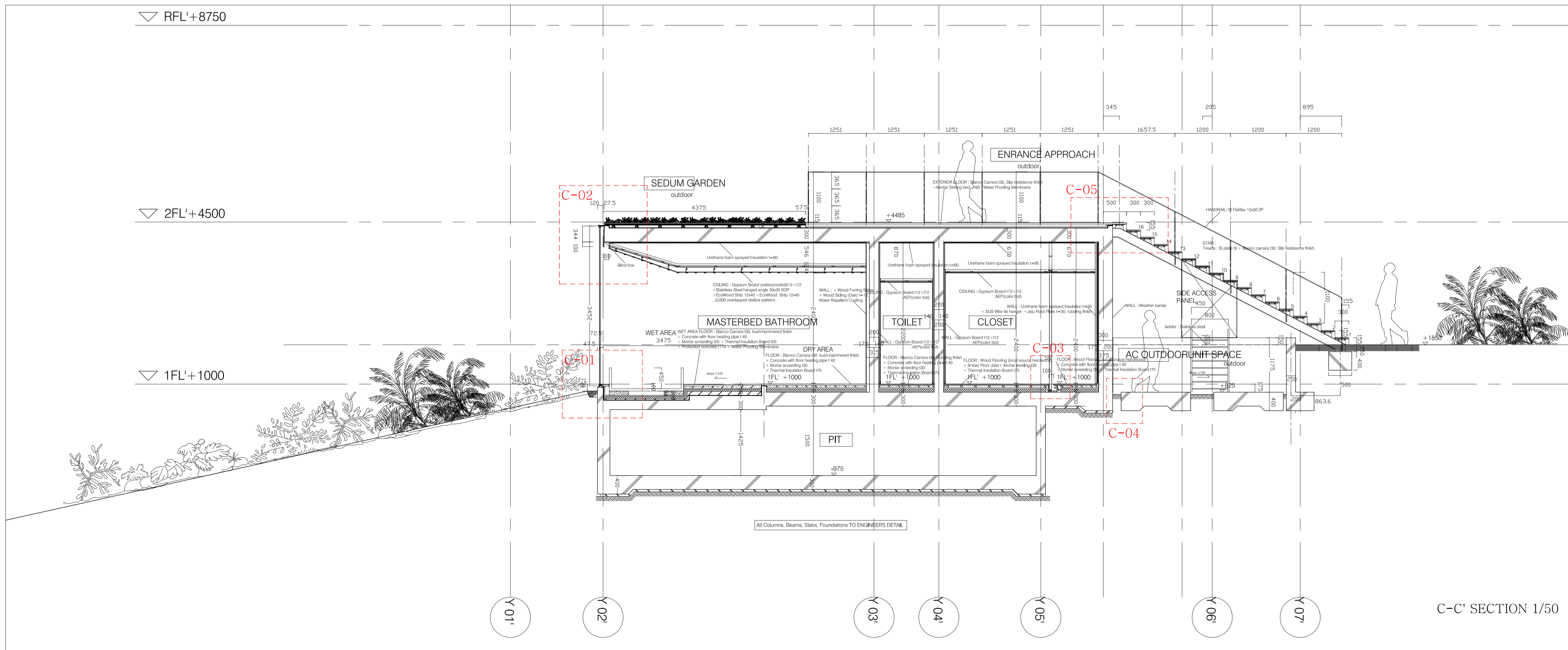
A-03 detail 1/10



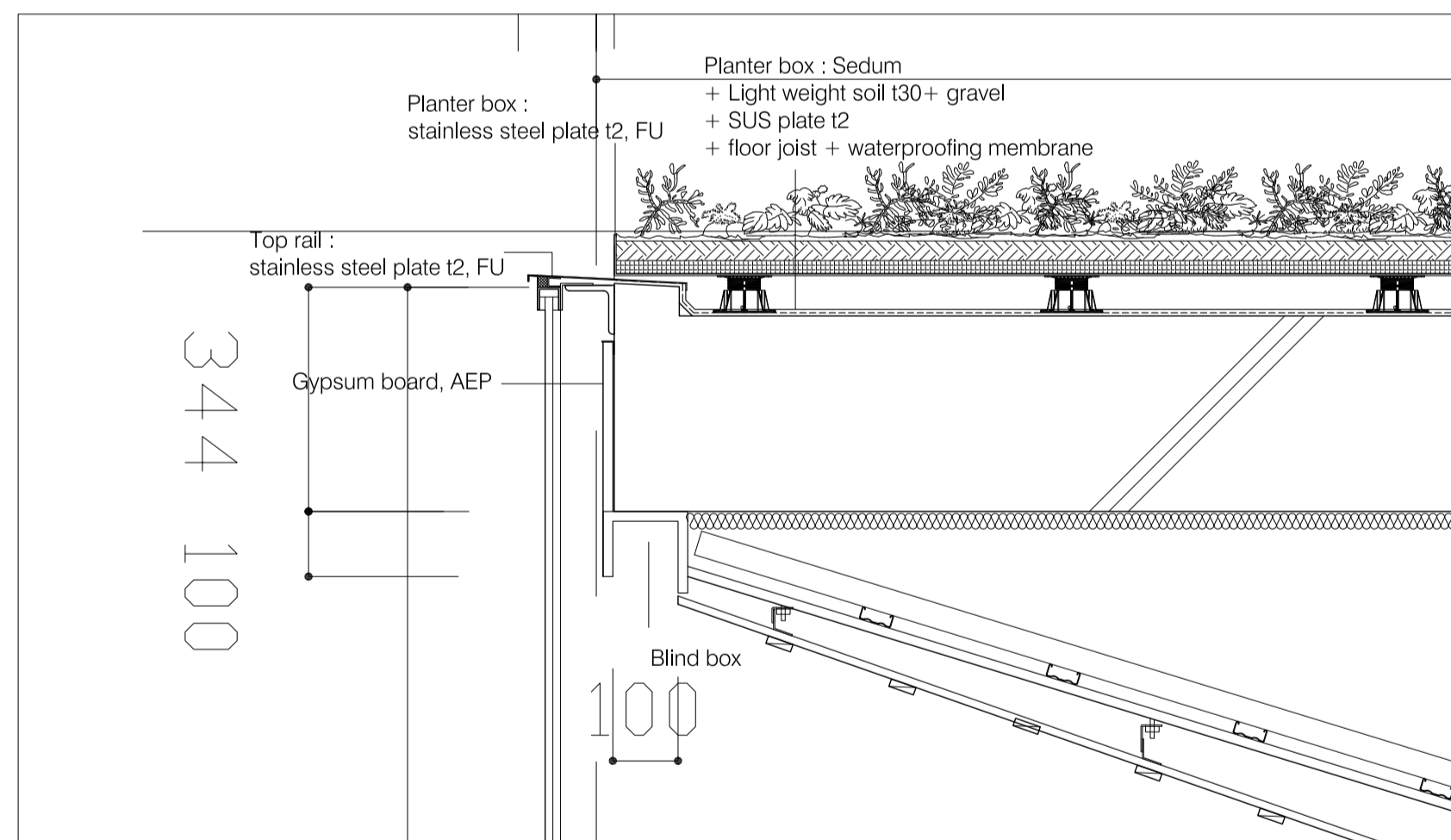
A-08 detail 1/10



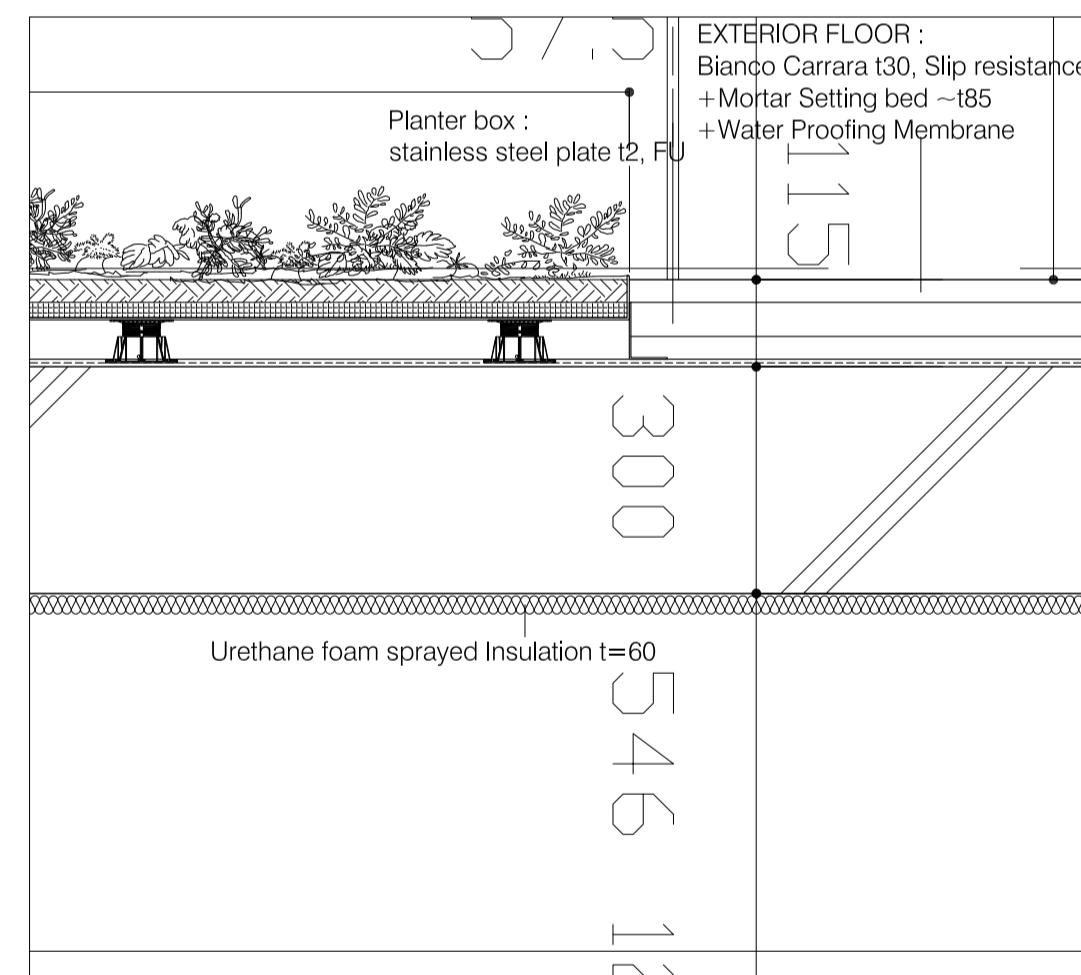
A-07 detail 1/10



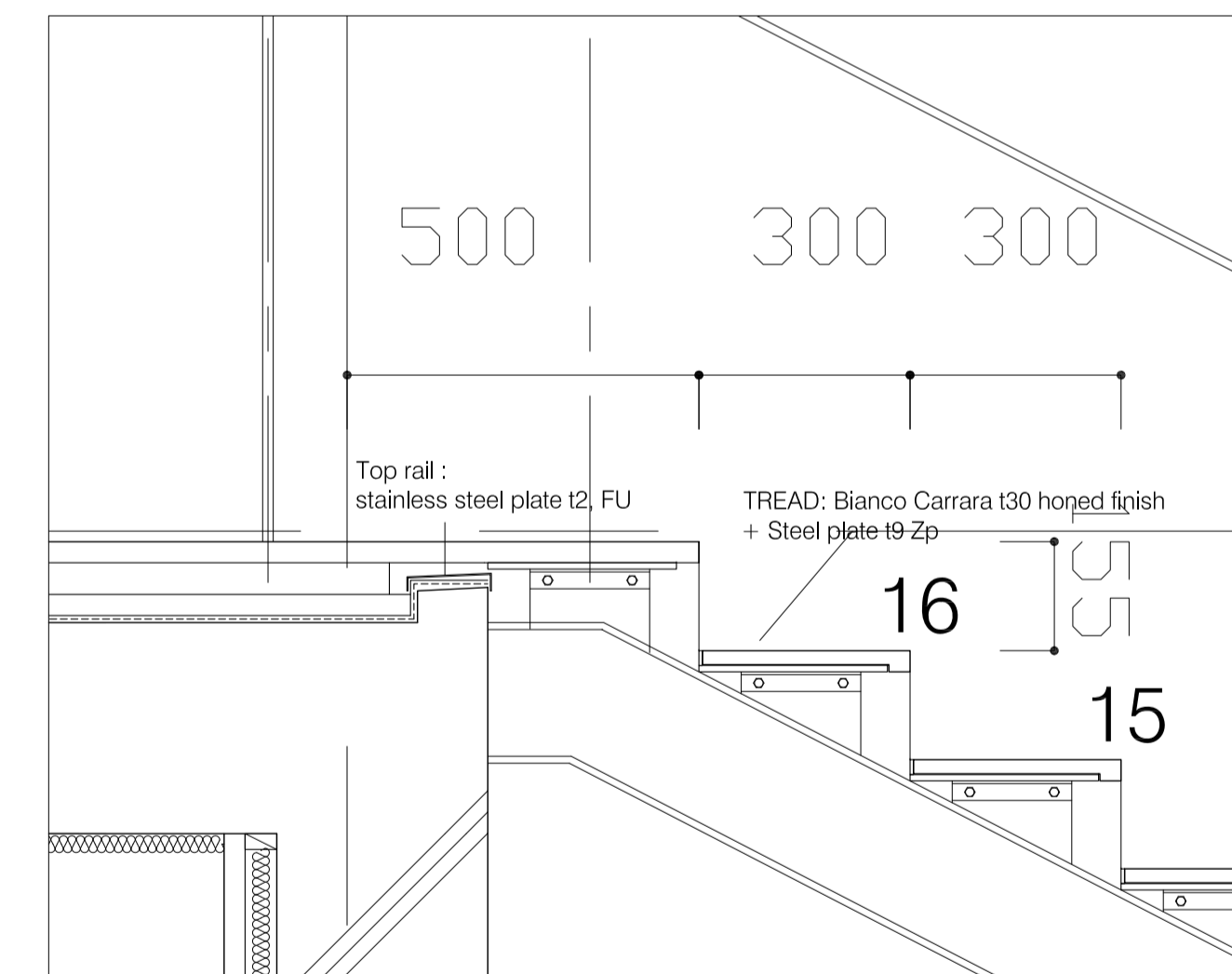
C-C' SECTION 1/50



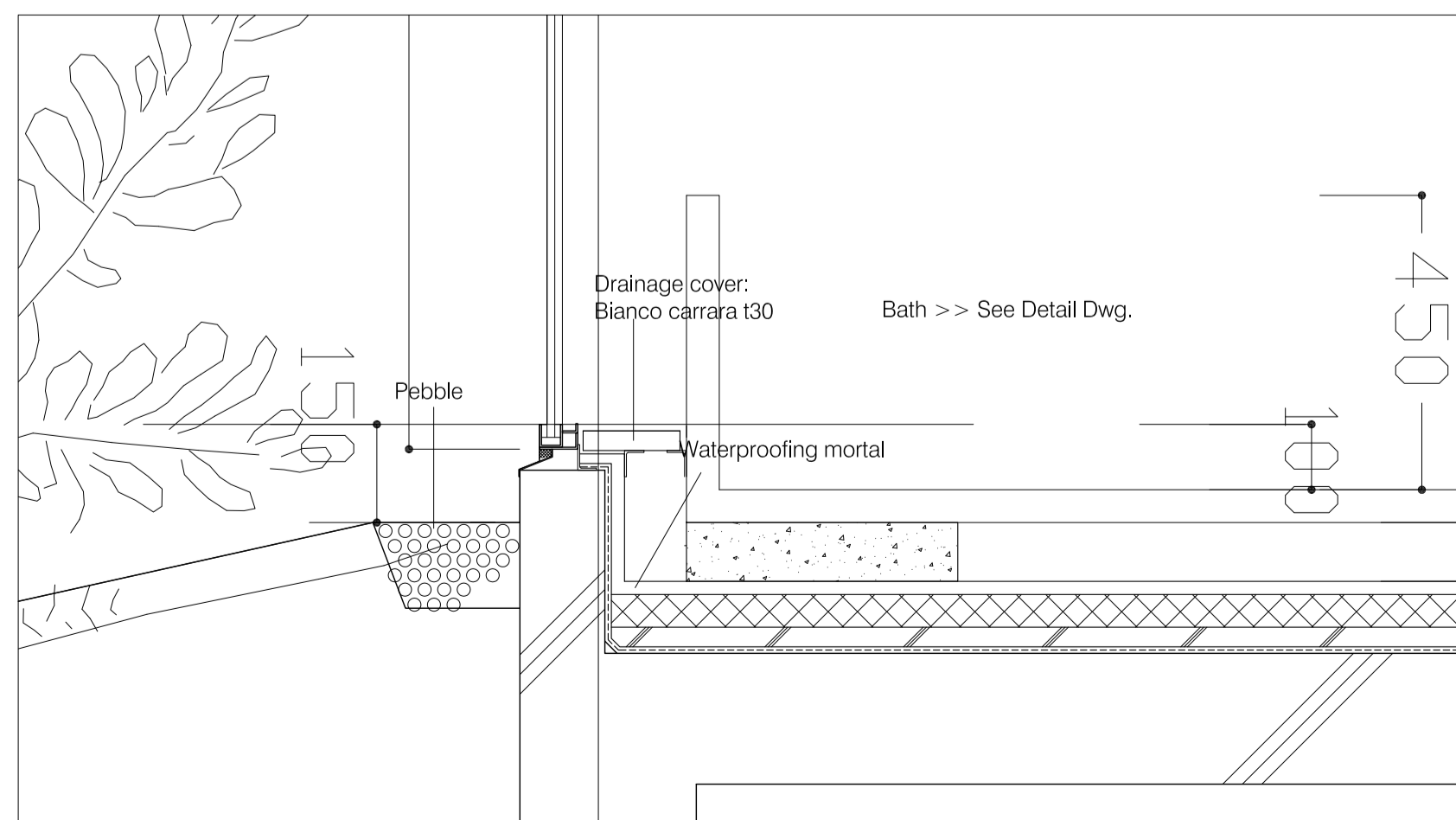
C-02 detail 1/10



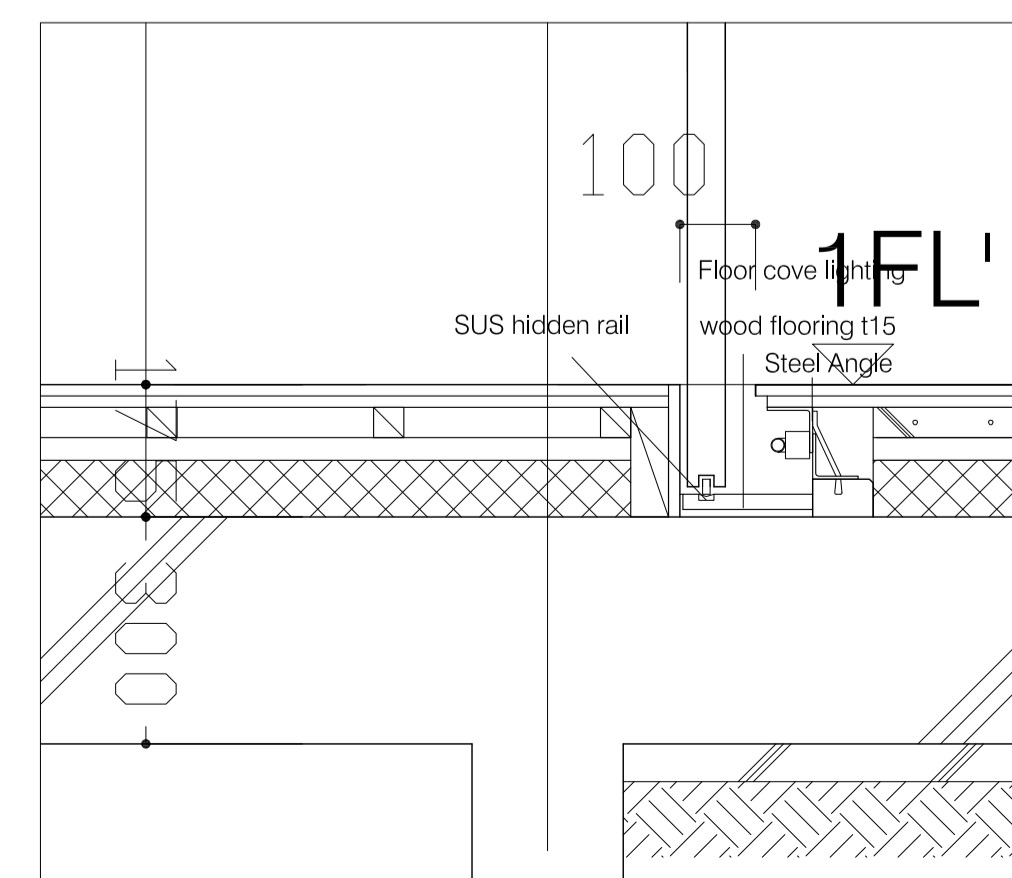
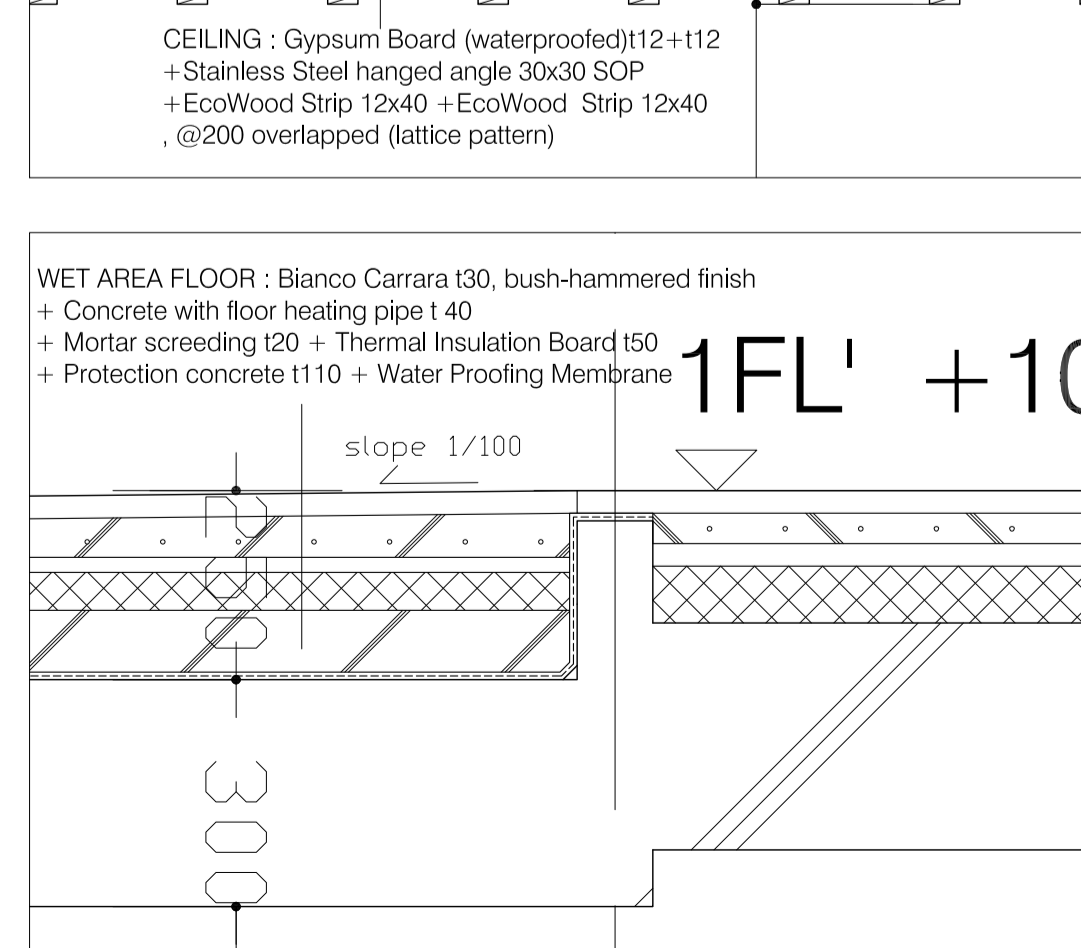
C-03 detail 1/10



C-05 detail 1/10



C-01 detail 1/10



C-04 detail 1/10