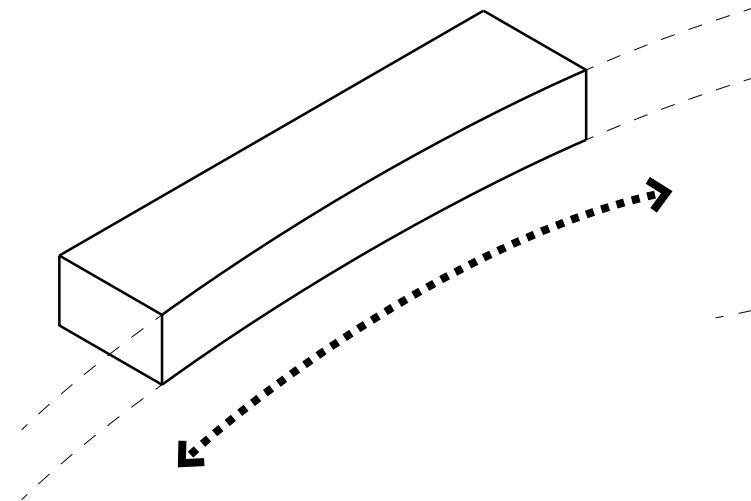
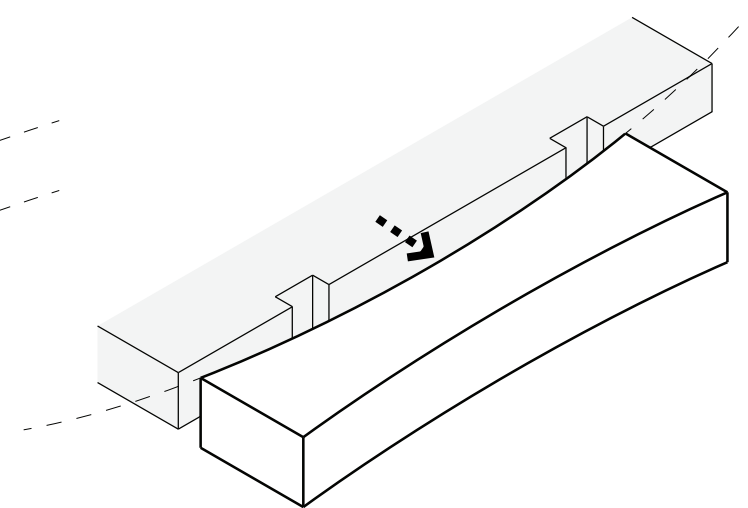


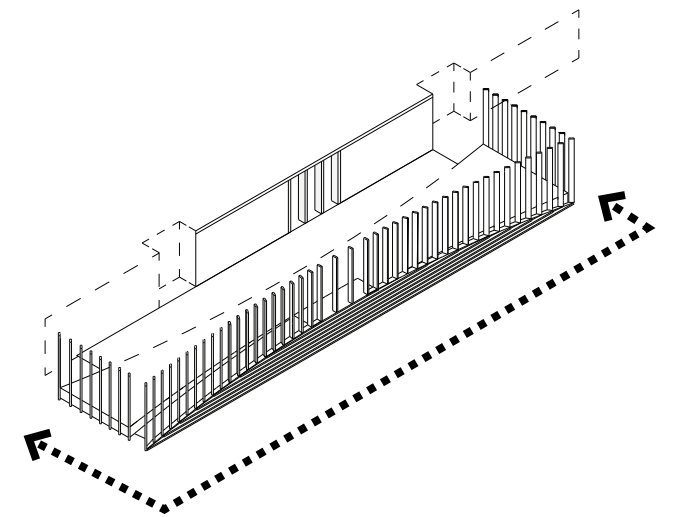
SET-BACK FROM PHASE 2



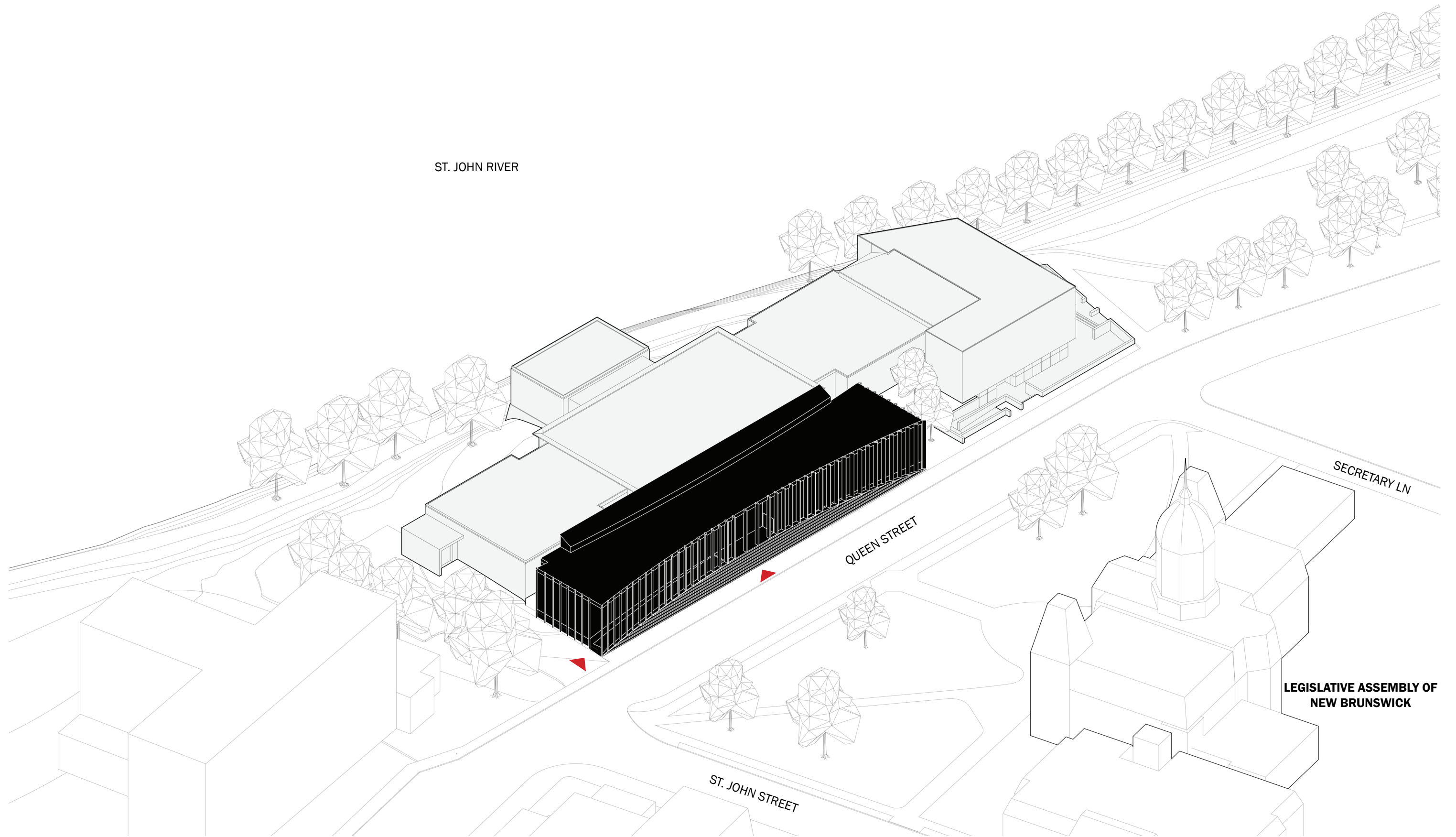
RESPOND TO URBAN  
CONTEXT



PULL AWAY FROM EXISTING  
BUILDING TO BRING IN DAYLIGHT



VERTICAL RHYTHM  
DIALOGUE BETWEEN EXISTING AND NEW



ST. JOHN RIVER

QUEEN STREET

SECRETARY LN

LEGISLATIVE ASSEMBLY OF  
NEW BRUNSWICK

ST. JOHN STREET

