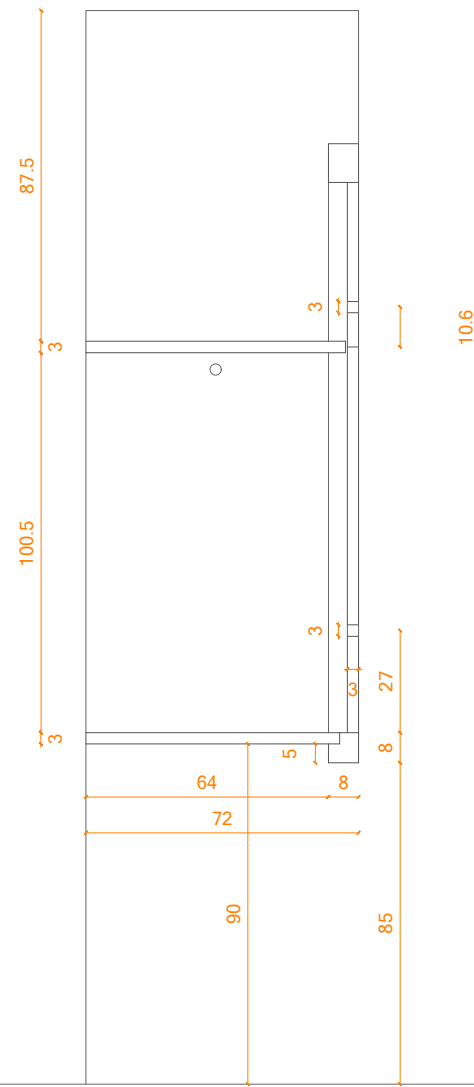
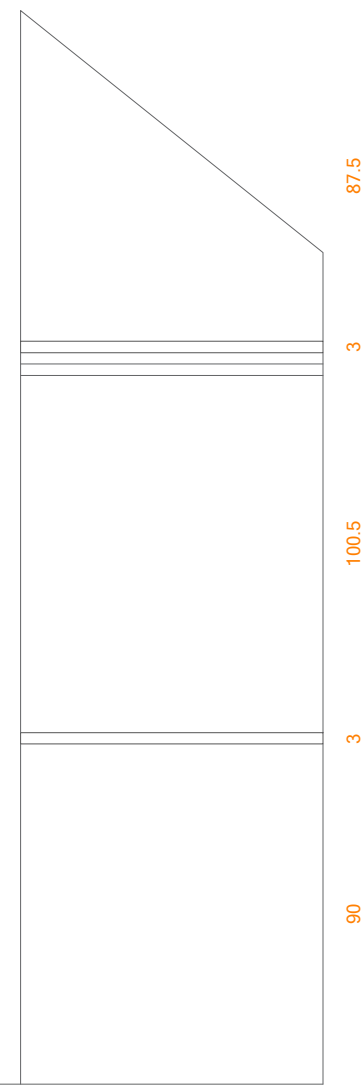


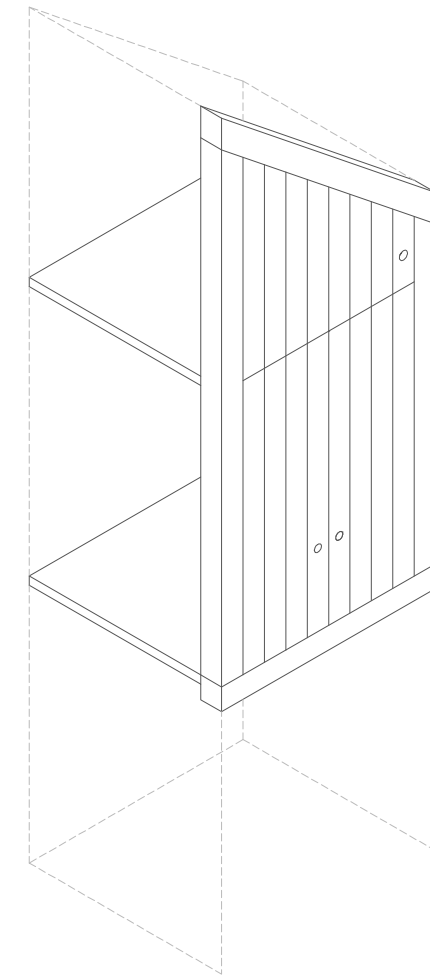
Frontal view



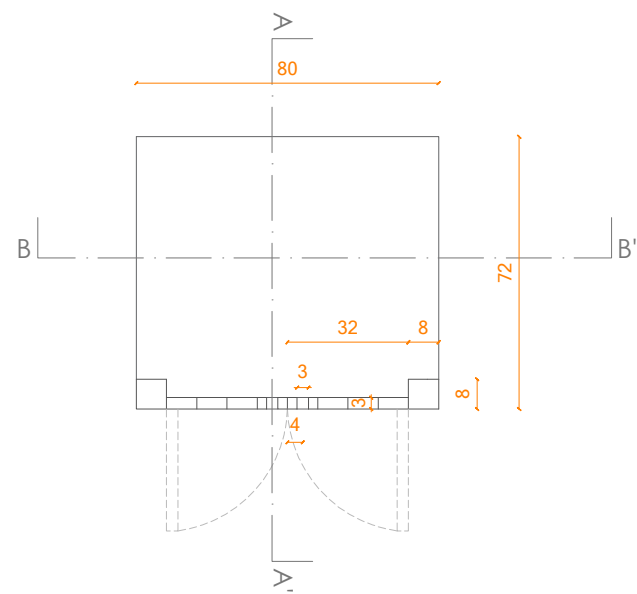
Section A-A'



Section B-B'



Perspective



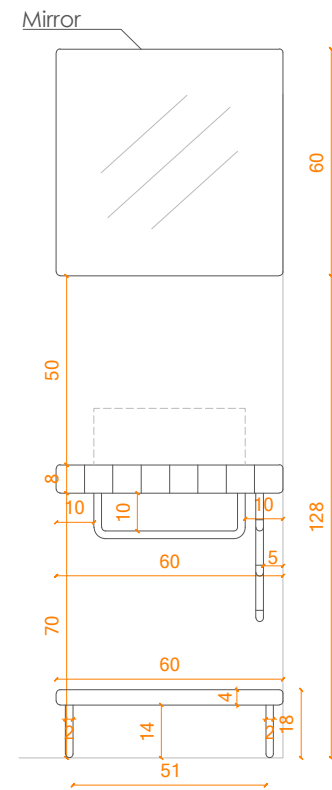
Top view / Section

All the measures have to be confirmed on the construction site. If there are differences with the drawings, please contact the architects. All the iron fittings have to be approved by the architects. The architects decline any responsibilities if there are differences between the drawings and the realization and in this case the architects can refuse the finished product.

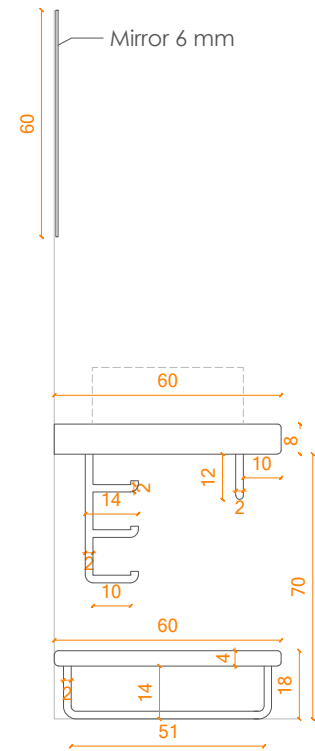
ROOM TYPE B CLOSET
 Scale: 1:20
 Date: December 2019
 Page: 1/4

RAMOSCASTELLANO ARQUITECTOS
 Avenida 5 de Julho, 18, Mindelo, 50123
 tlm. 9975480 tlm. 9825632
www.ramoscastellano.com

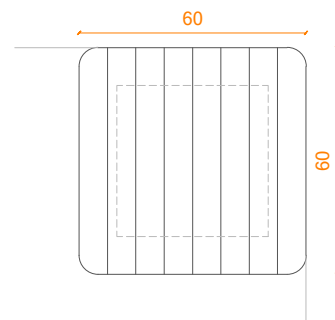
WASH-BASIN - ROOMS



Frontal view



Lateral view

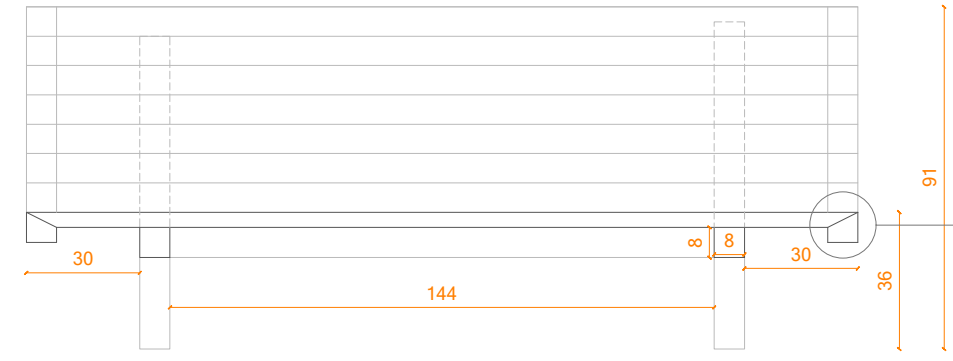


Top view

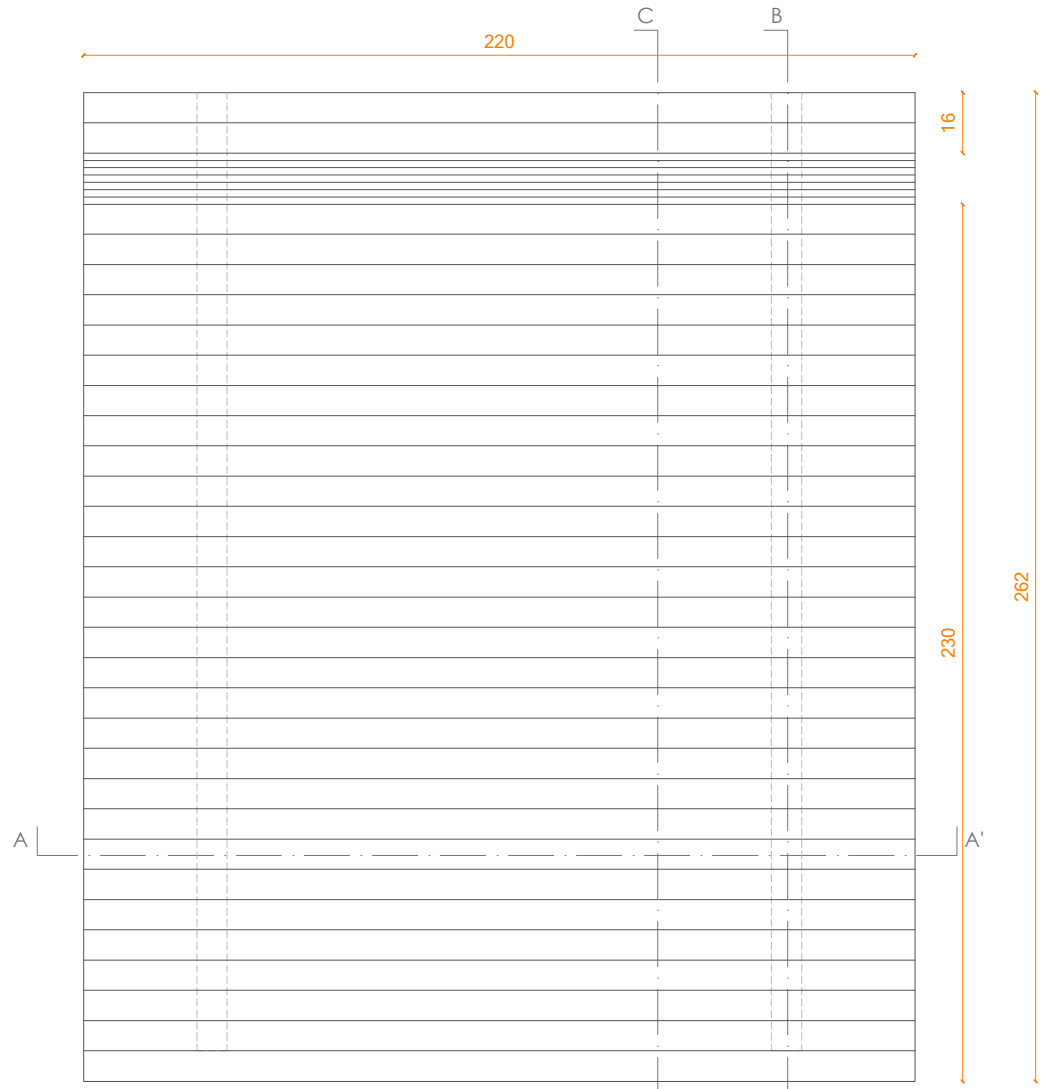
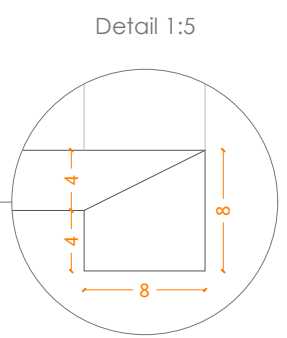
All the measures have to be confirmed on the construction site. If there are differences with the drawings, please contact the architects. All the iron fittings have to be approved by the architects. The architects decline any responsibilities if there are differences between the drawings and the realization and in this case the architects can refuse the finished product.



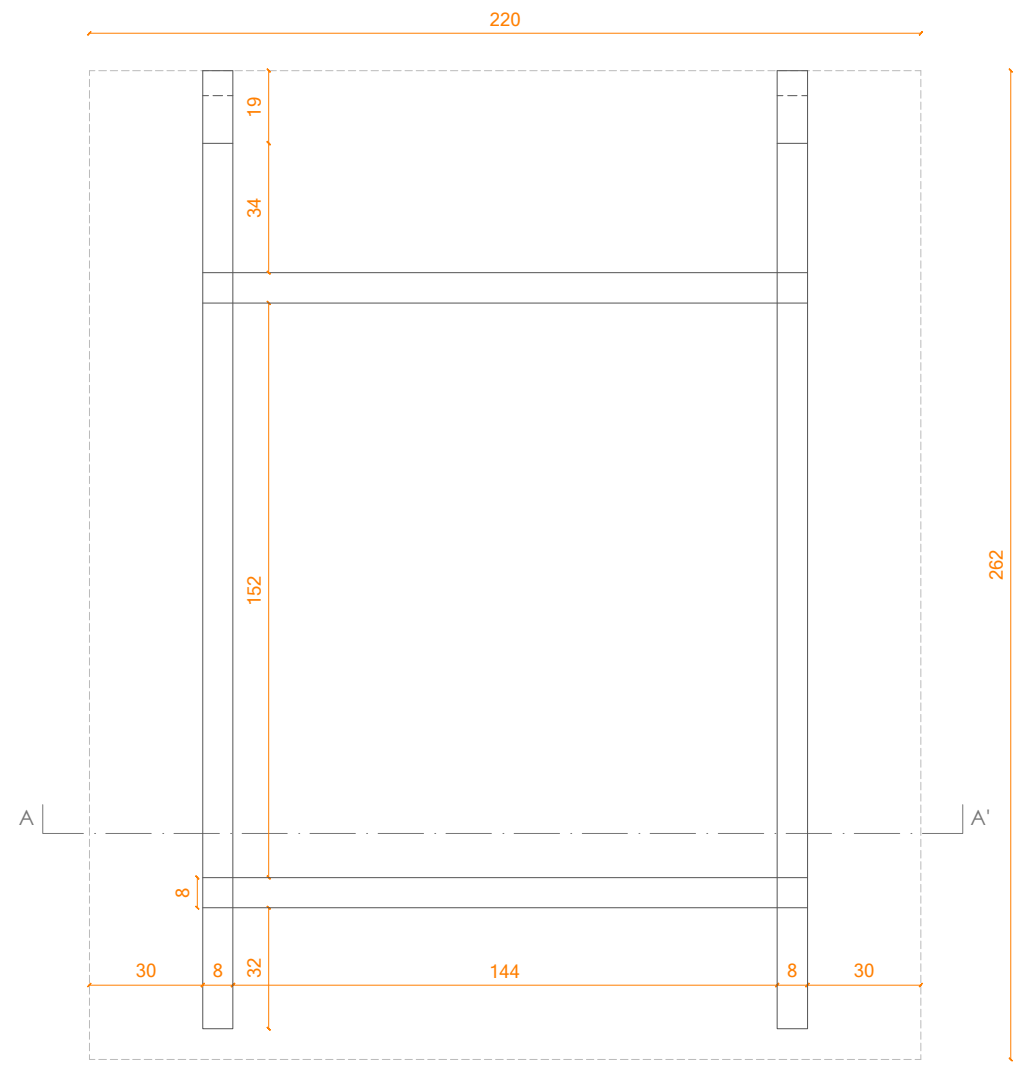
Frontal view



Section AA'



Top view

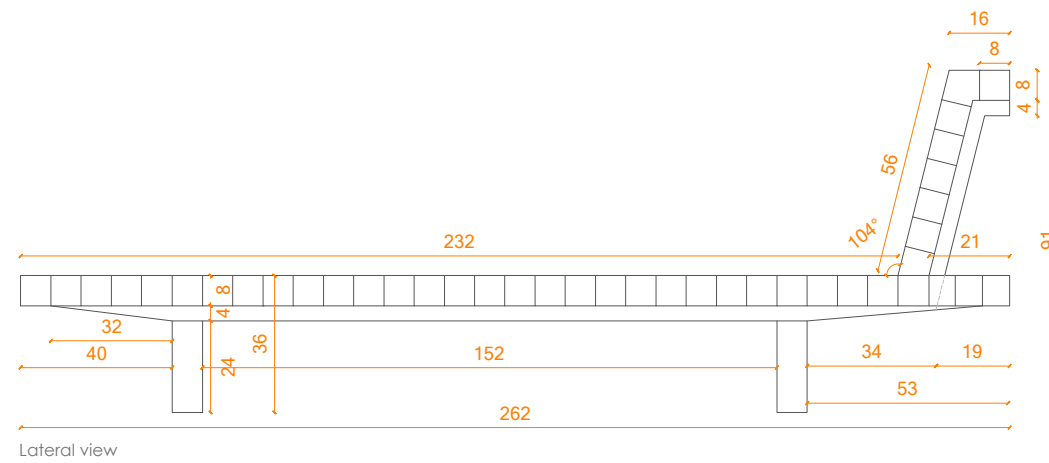


Top view

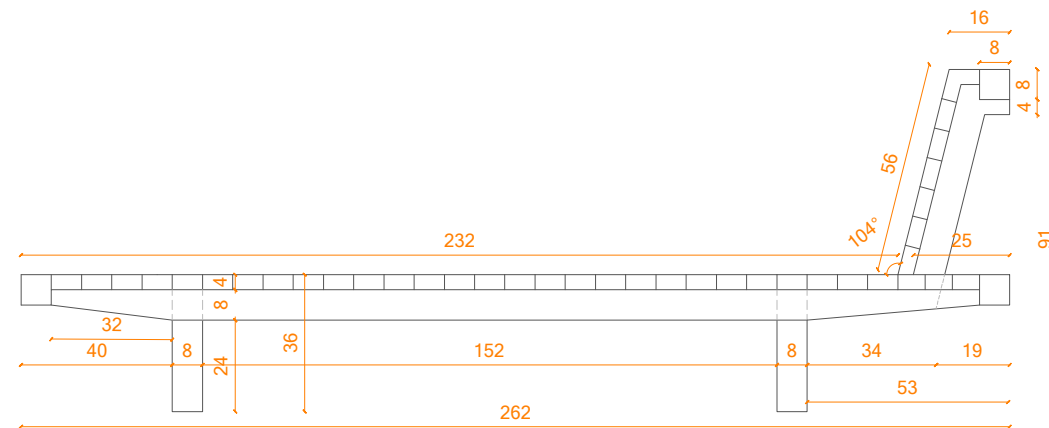
All the measures have to be confirmed on the construction site. If there are differences with the drawings, please contact the architects. All the iron fittings have to be approved by the architects. The architects decline any responsibilities if there are differences between the drawings and the realization and in this case the architects can refuse the finished product.

ROOMS BED
 Scale: 1:20
 Date: December 2019
 Page: 3/4

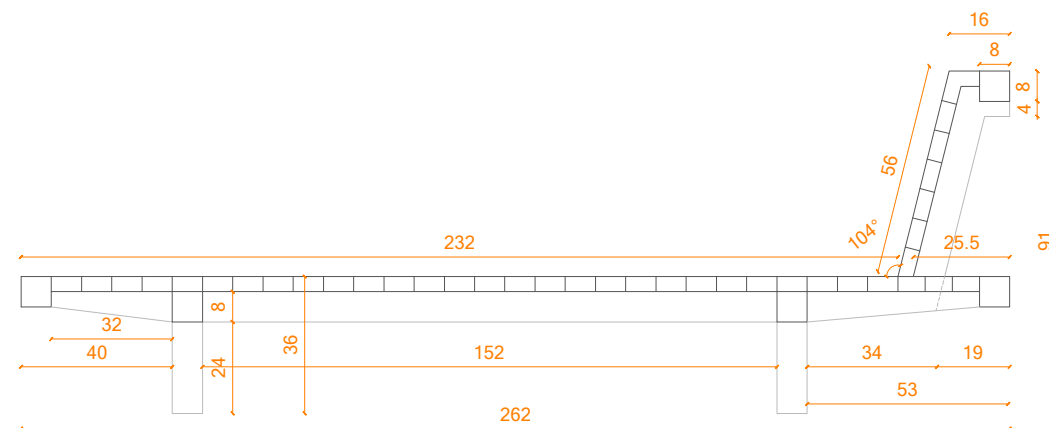
RAMOSCASTELLANO ARQUITECTOS
 Avenida 5 de Julho, 18, Mindelo, 50123
 tlm. 9975480 tlm. 9825632
www.ramoscastellano.com



Lateral view



Section BB'



Section CC'

All the measures have to be confirmed on the construction site. If there are differences with the drawings, please contact the architects. All the iron fittings have to be approved by the architects. The architects decline any responsibilities if there are differences between the drawings and the realization and in this case the architects can refuse the finished product.

ROOMS BED
 Scale: 1:20
 Date: December 2019
 Page: 4/4

RAMOSCASTELLANO ARQUITECTOS
 Avenida 5 de Julho, 18, Mindelo, 50123
 tlm. 9975480 tlm. 9825632
www.ramoscastellano.com