

HYDROWALL INSTALLATION

GENERAL NOTE: The instructions are intended to demonstrate the installation process of several tanks simultaneously, including installation on a corner. The sequence may be adapted depending on your specific situation and your level of experience with the Hydrowall System. Items of particular importance are noted on each step.

IMPORTANT! Hydrowall uses a flexible liner to contain water. Sharp edges may damage the liner. The following care should be observed when installing:

- * **Avoid drilling into the metal frame.** Metal shards from drilling are sharp and may damage the liner. If the frame needs to be drilled it should be done before installing and away from the installation area.
- * **Install on a clean surface.** Clean the area and use the groundsheet to protect the base of the liner.
- * **Check for sharp edges on the frame and other materials.** Check for contact between the liner and any sharp edges of the frame or other materials. If a sharp edge is found then remove the sharp edge, add some protective padding, or replace the piece
- * **Take care when fixing to the frame.** Make sure the any fixings are into the timber battens and not left exposed on the inside. Use the correct length screws.

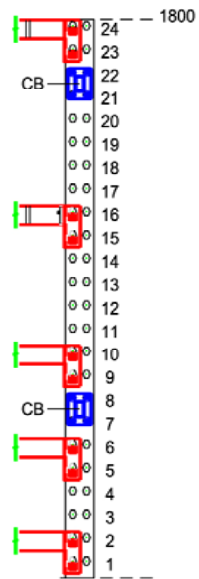
STAGE 1

Installation of Hydrowall Components

<p>BEFORE YOU START</p> <p>You will need:</p> <p>TOOLS</p> <ul style="list-style-type: none"> - Spanners/ Socket set - Drill and 10mm Masonry Bit - Screw driver/ Drill Driver - Tape measure - Spirit Level 	<p>Each module includes:</p> <ul style="list-style-type: none"> - Standard Posts- 2 per module - Cross beams: Quantity depends on height - Beams: Quantity depends on height - Bolts, washers, nuts- 8 sets per cross beam - Anchor bolts- Qty 2 - Liner- Qty 1 - Liner fittings: 1 length of hose and 2 hose clamps <p>Optional Items</p> <p>End post kit- 1 kit for each wall section</p> <p>ITEMS NOT INCLUDED:</p> <ul style="list-style-type: none"> - Cladding System - Battens and fixings for cladding system - Insulation - Roofing structure or connecting brackets - Plumbing fittings, pumps
--	---

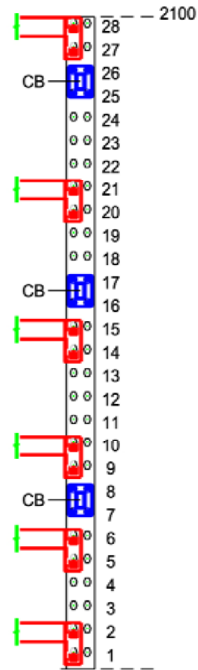
HYDROWALL SPACING DIAGRAM CROSS BEAM AND LONG BEAM POSITIONS

CB= CROSS BEAM



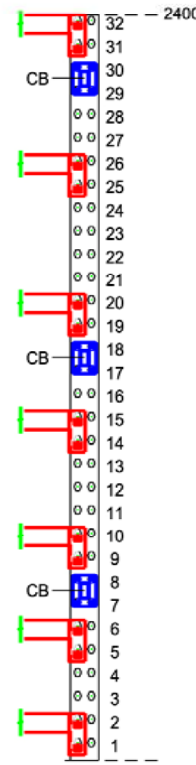
1800mm

CROSS BEAMS 2
LONG BEAMS 5 PER SIDE(10 TOTAL)



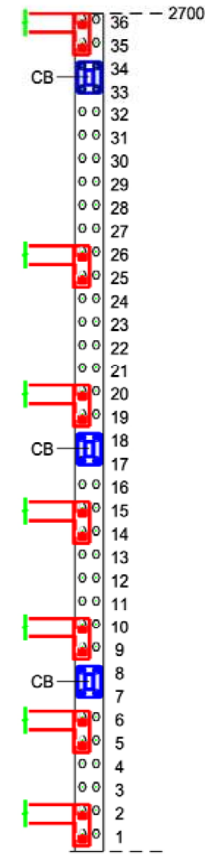
2100mm

CROSS BEAMS 3
LONG BEAMS 6 (12)



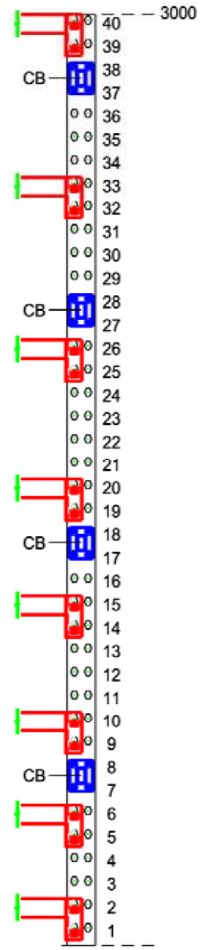
2400mm

CROSS BEAMS 3
LONG BEAMS 7 (14)



2700mm

CROSS BEAMS 3
LONG BEAMS 7 (14)



3000mm

CROSS BEAMS 4
LONG BEAMS 8 (16)

COPYRIGHT
DO NOT REPRODUCE
WITHOUT PERMISSION
OF SUPERWALL SYSTEMS

DATE: 2012.01.13
SCALE: 1:20

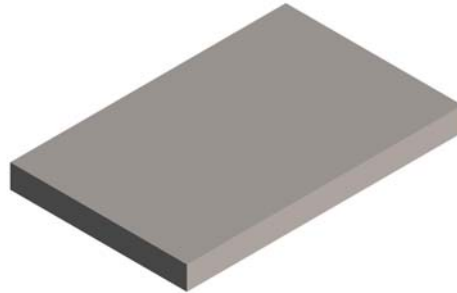
REVISION: C

HYDROWALL INSTALLATION MANUAL

1. PREPARE BASE

A concrete slab, footing or other solid base is required.

Consult an engineer for the correct base design.



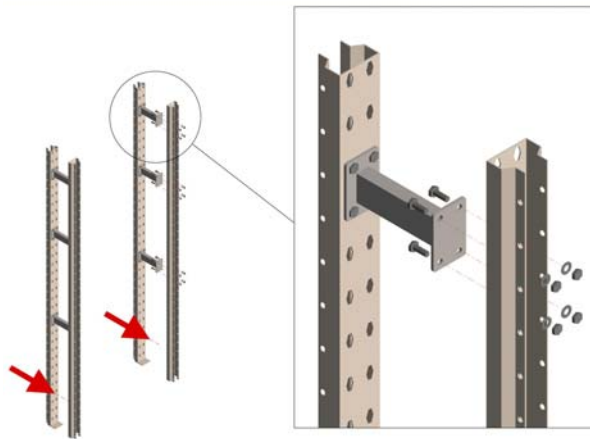
2. MAKE SIDE FRAMES

Connect posts together as shown using the cross beams and bolts.

Make sure the bolt head is on the inside as shown.

Leave the bottom beam out for now to allow access to anchor bolts.

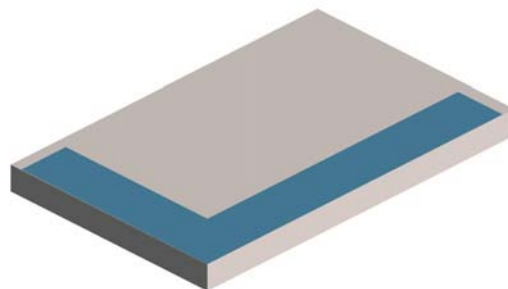
NOTE: Refer to the assembly diagram for spacing of cross- beams and bolts



3. LAY GROUNDSHEET

Lay the PVC sheet where the Hydrowall is to be located.

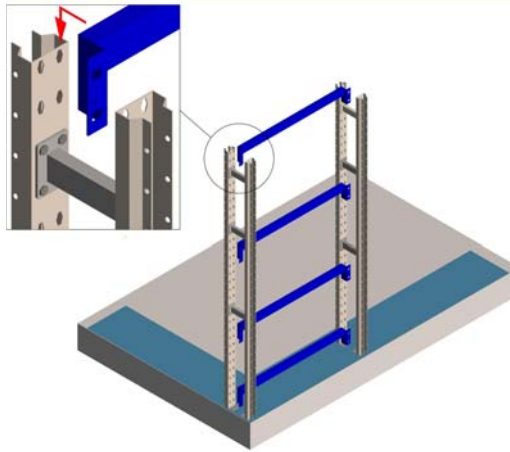
NOTE: Align the sheet with external edge of the slab base. The inside can then be folded up to create a flashing



4. INSERT BEAMS ON ONE SIDE

Use the long beams to join the two side sections together. Only fit beams to one side to allow easy access when installing the liner.

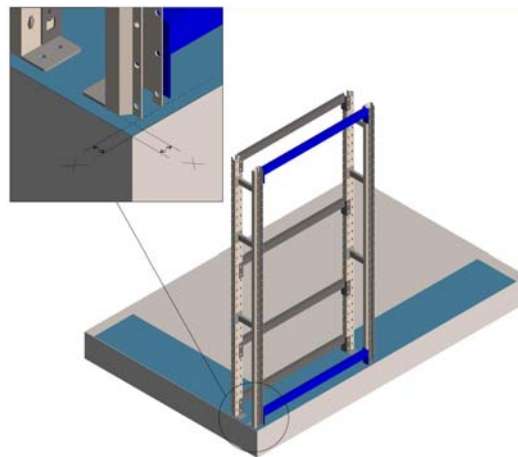
NOTE: Refer to beam spacing table for position of beams



5. POSITION FRAME

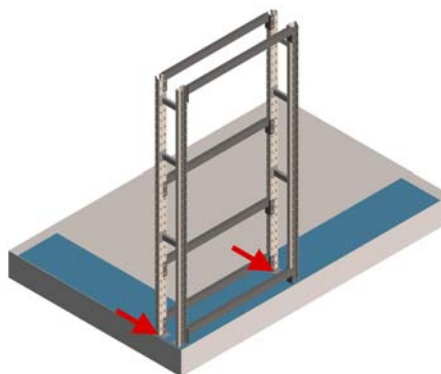
Insert the lower beam on the external edge and align with the corner.

NOTE: The frame should be set back from the edge to allow for the cladding. Refer to the Cladding Manufacturer's detail for the correct setback.



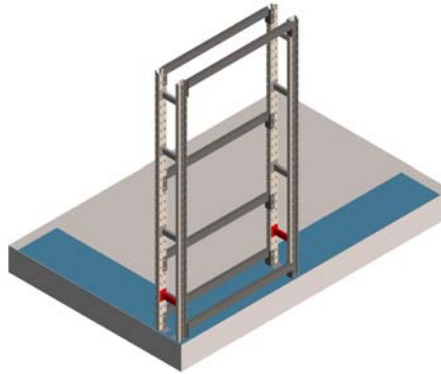
6. FIX TO SLAB

Check the frame is in the correct position. Drill through the base plate to create holes for the anchor bolts. Install the anchor bolts to secure the frame to the slab.



7. INSTALL BOTTOM CROSS BEAMS

Install the bottom cross beams using the same method as in point 2 above



8. PREPARE & INSTALL LINER

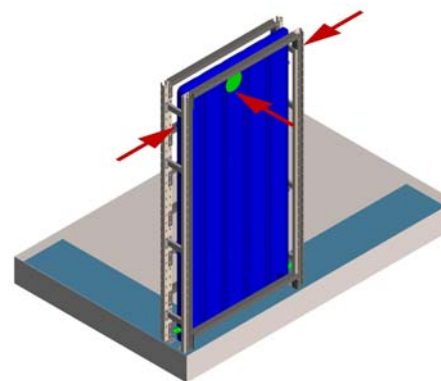
Unpack the liner on to a smooth surface free from sharp objects.

Check the orientation of the liner so that the inlet is on the external face.

IMPORTANT: Check where the outlet connections will be made. If the holes are sealed then you need to drill them out with a holesaw.

Position the liner inside the frame and use the straps provided to hold it in position. The bottom of the liner should be just touching the ground.

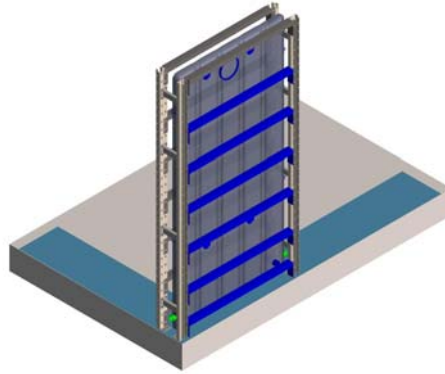
IMPORTANT: Any inlets that are not being used should be checked and tightened to avoid overflow leaks



HYDROWALL INSTALLATION MANUAL

9. INSTALL REMAINING BEAMS

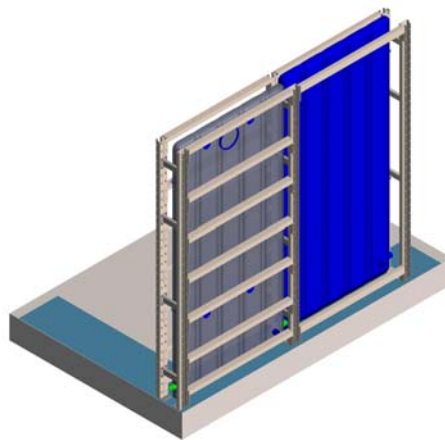
Insert all of the remaining beams to complete the assembly of the first module.



10. INSTALL NEXT MODULE

Add the next module by **repeating steps 3 to 6**

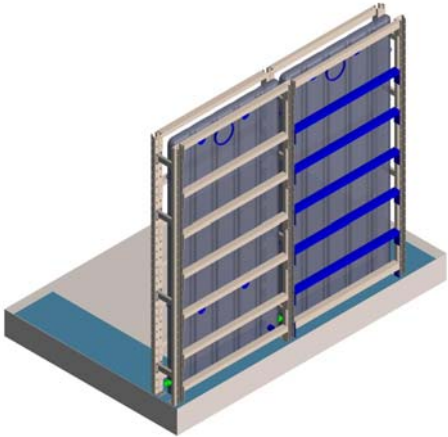
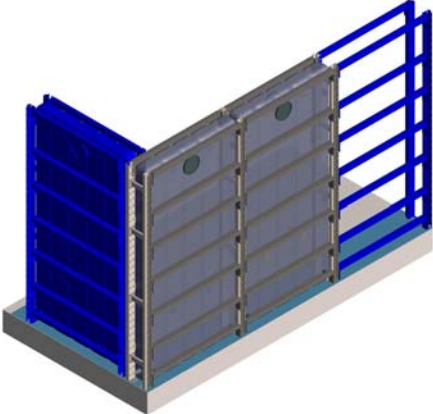
Additional modules will connect to the post of the first module.



11. CONNECT LINERS

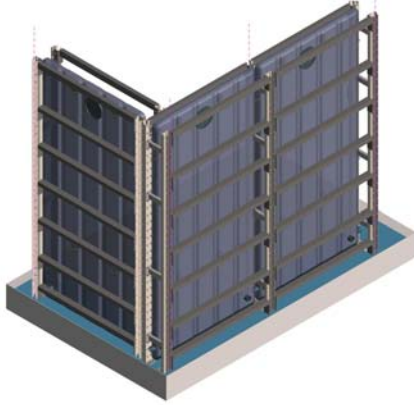
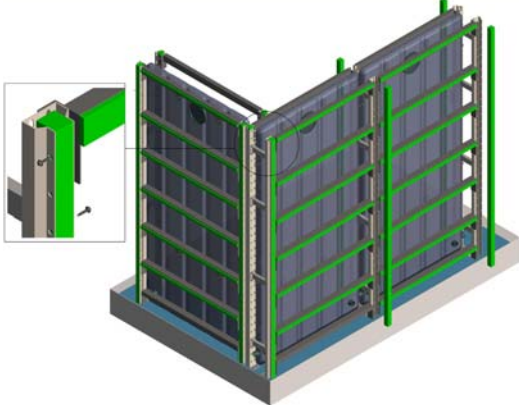
Once the frame is assembled, connect the second liner to the first using the hose and hose clamps.



<p>12. INSTALL REMAINING BEAMS</p> <p>Insert all of the remaining beams to complete the assembly of the second module.</p>	
<p>13. FIT AND CONNECT ADDITIONAL MODULES</p> <p>Repeat step 10 to install additional modules.</p> <p>Connect each liner together as it is installed using the hose and clamps provided.</p>	
<p>14. TEST FILL (Optional)</p> <p>You can now start to fill the system with water.</p>	
<p>END OF STAGE 1</p>	

STAGE 2

General guidelines for installing cladding and roof systems

<p>INSTALLING CLADDING Each cladding system will have different installation instructions. Refer to the Cladding Manufacturer's instructions for how to install cladding on a stud frame.</p>	<p>IMPORTANT! Do not drill or use self tapping screws directly on to the metal frame. It will create metal shards that may damage the liner.</p> <p>Always fix cladding to timber battens or use structural adhesive.</p> <p>If the frame needs to be drilled for whatever reason this should be done prior to installation of the liners and cleaned carefully to remove any metal shavings.</p>
<p>1. INSTALL SERVICES Position cabling piping or conduits as required inside the channel of the vertical posts</p>	
<p>2. INSTALL TIMBER BATTENS Insert the battens in to the inside of the post and beam channels and fix using suitable screws.</p> <p>NOTE: Consult the Cladding Manufacturer for installation methods and batten spacing.</p>	

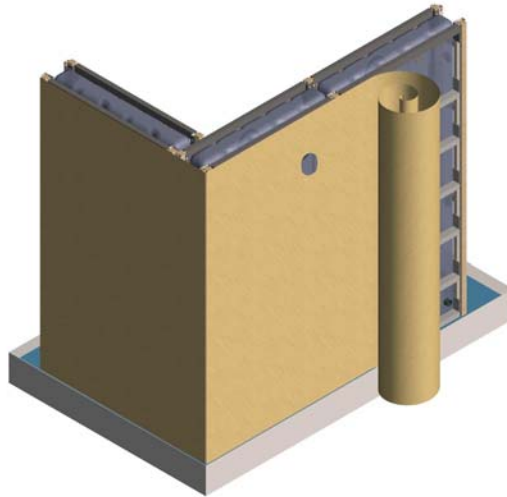
3. ADD INSULATION/ SARKING
(optional)

Where the system will be used for habitable rooms it is recommended that insulation is installed.

Insulation can be installed on either the inside or outside face.

Reflective bubble wrap insulation is preferred.

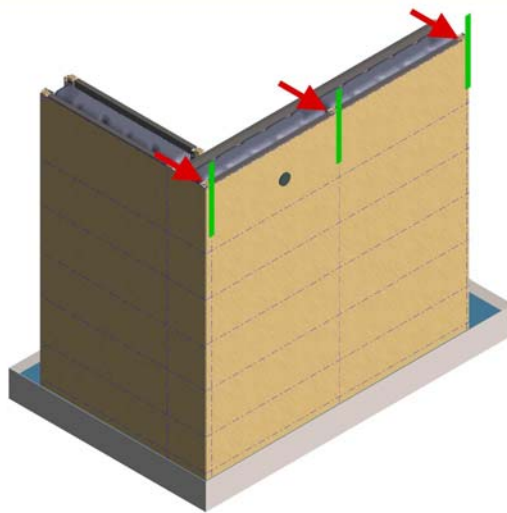
To install, unroll the insulation and fix to the battens using a staple gun



4. INSTALL ROOF BRACKETS/ STRAPS AND MARK POSITION OF FIXING POINTS

If you will be attaching a roof, now is the time to attach the brackets or strapping. Attach the brackets to the holes in the frame.

Take note of the position of the vertical and horizontal batten positions to make it easier when installing the cladding.

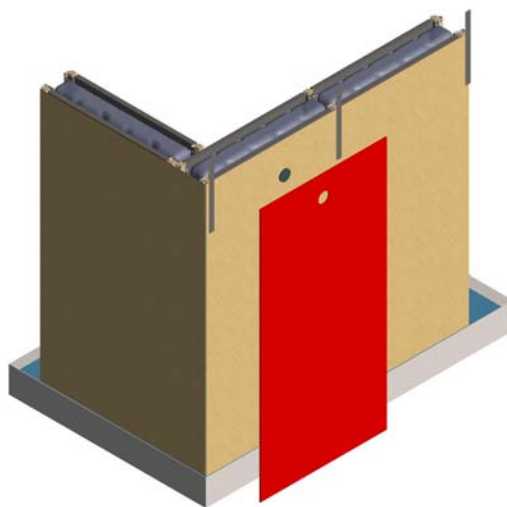


5. INSTALL CLADDING

Cut out the inlet position on the first sheet of cladding.

Remove the outer rings from the inlet fitting. Position the sheet and locate the inlet fitting through the hole in the sheet.

Replace the ring on the inlet fitting and fix the sheet to the battens

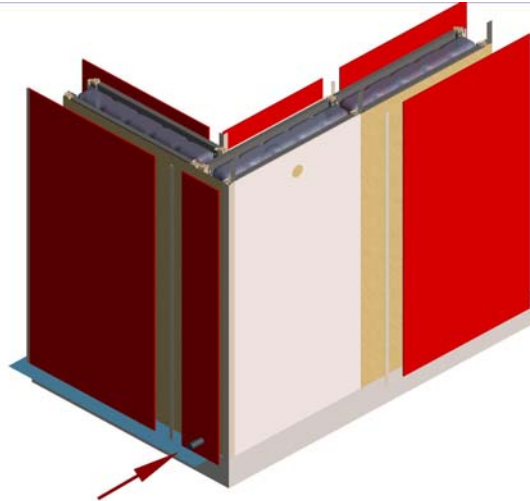


6. CONTINUE CLADDING

Position and fix the remaining sheets of cladding to the frame.

Mark the position of your outlet pipe and cut the cladding if required

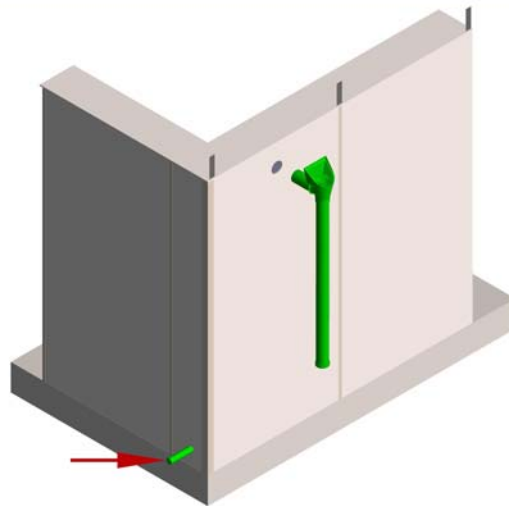
NOTE: The ground sheet should have an overlap on the inside. This should be folded up between the frame and cladding to create a flashing



7. CONNECT PLUMBING

Connect the outlet to the pump or plumbing as required.

Use a filter to prevent debris and animals entering the water.



8. ATTACH ROOF

The installation and cladding of the Hydrowall is now complete.

You can now proceed to build the roof (if required)

Consult your designer, engineer or roofing supplier for roof construction and connection the wall.

END

