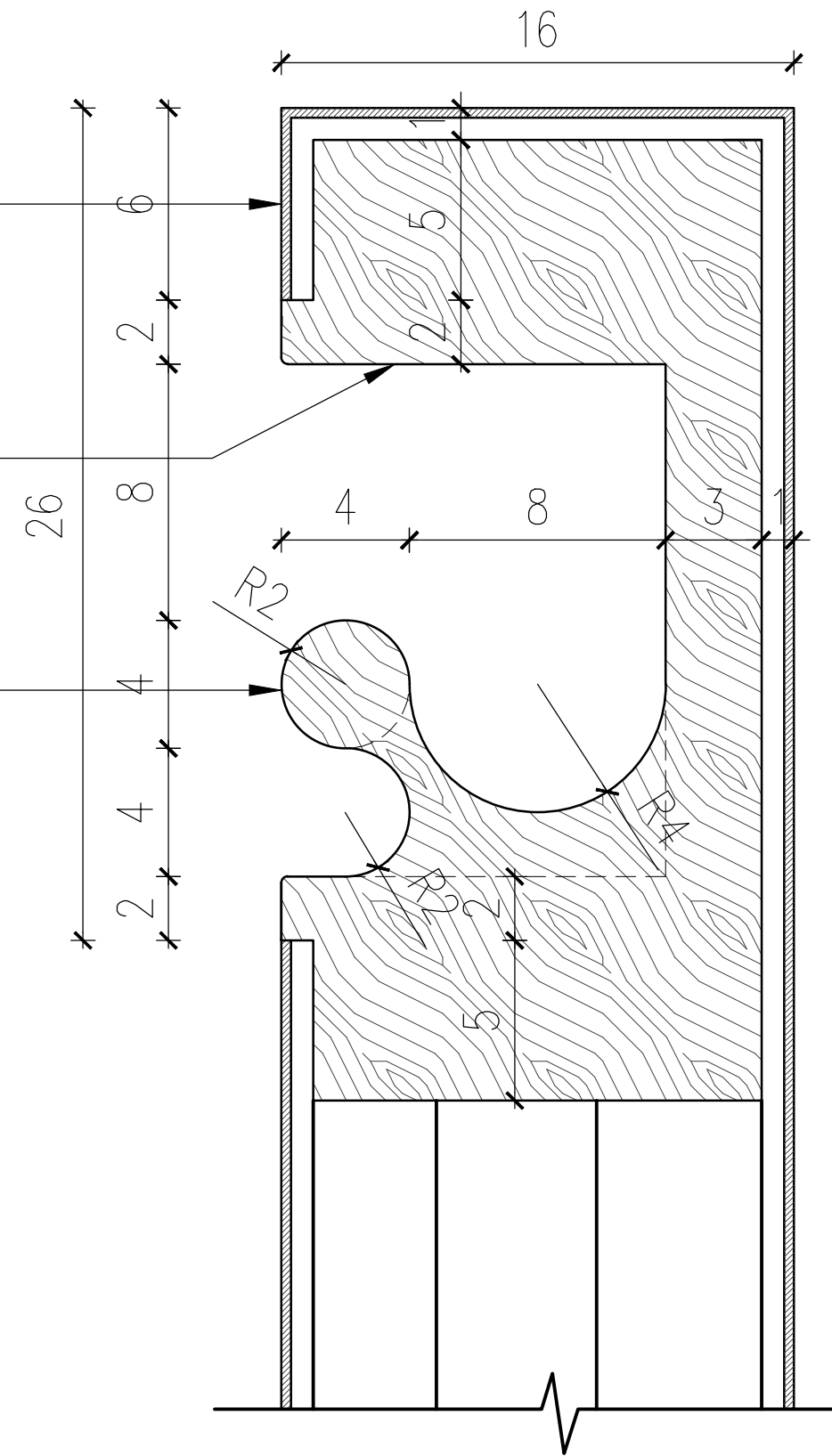


Non-galvanized cladding
Metal sheet thickness 3 mm
Painted on Site with special
metal paint system
Solid wooden body
Fixed to metal hidden structure

Wooden Hand Rail
Radius 20 mm



DETAIL 1
WOODEN HAND RAIL
SCALE 1:5