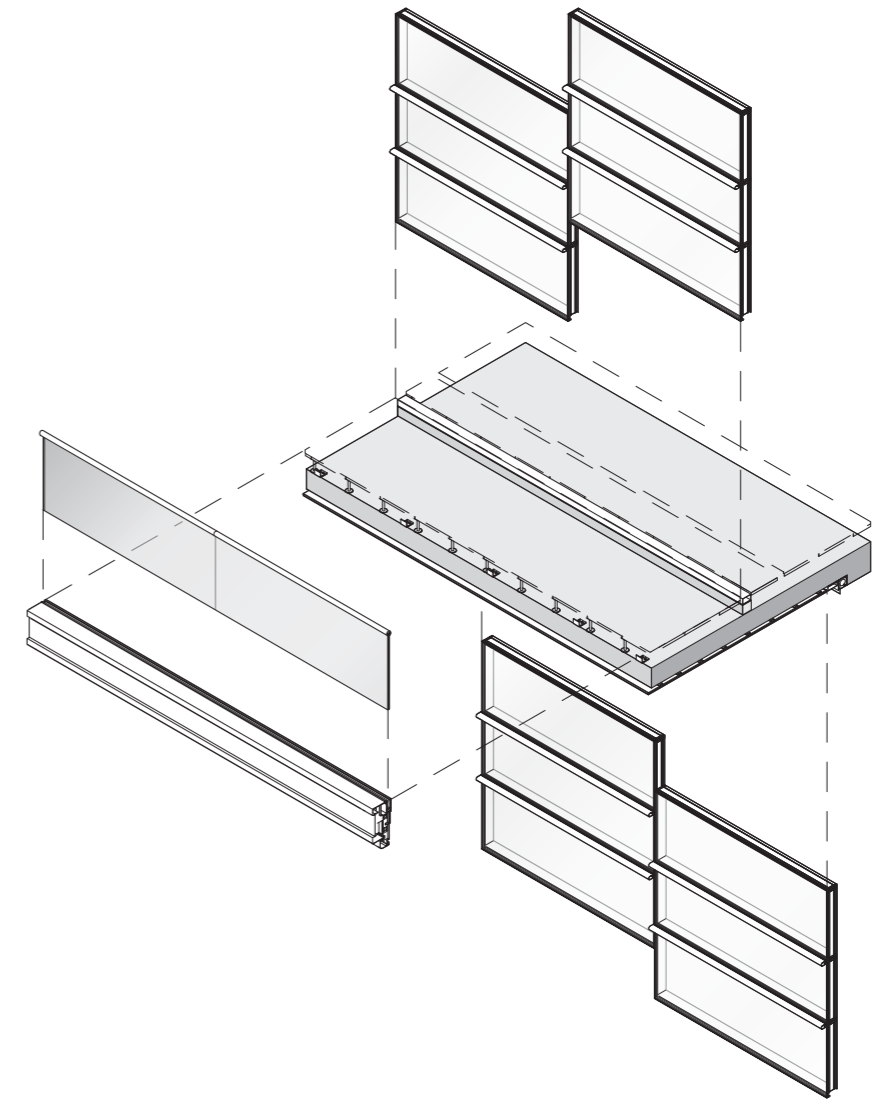
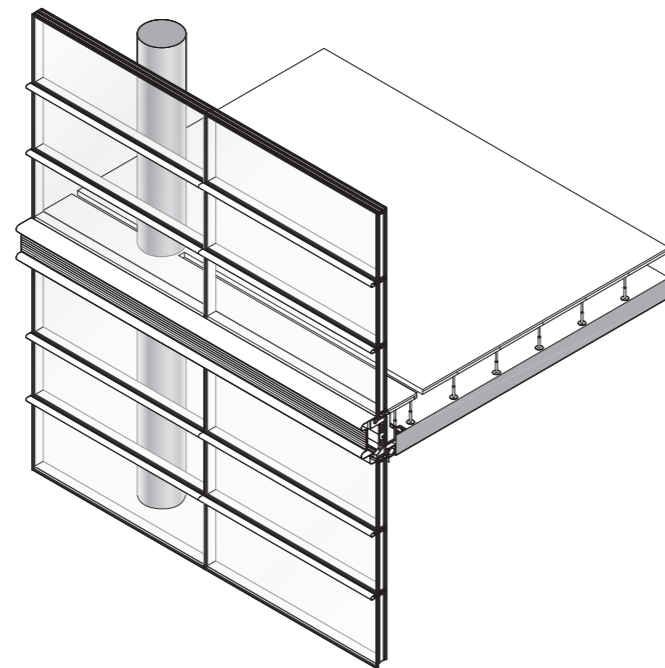


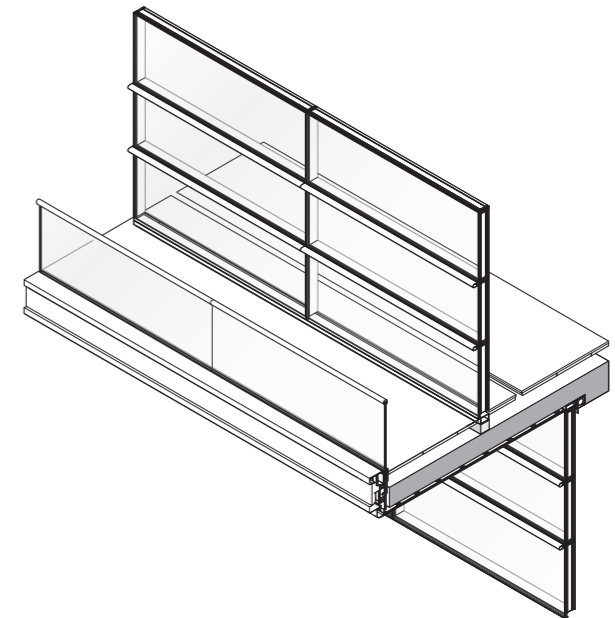
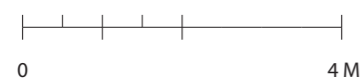
Facade Wall Section - North/South Exterior



Facade Wall Section - Atrium Interior



Facade Wall Section - West Terraces



Facade Wall Section - East Cantilevers

