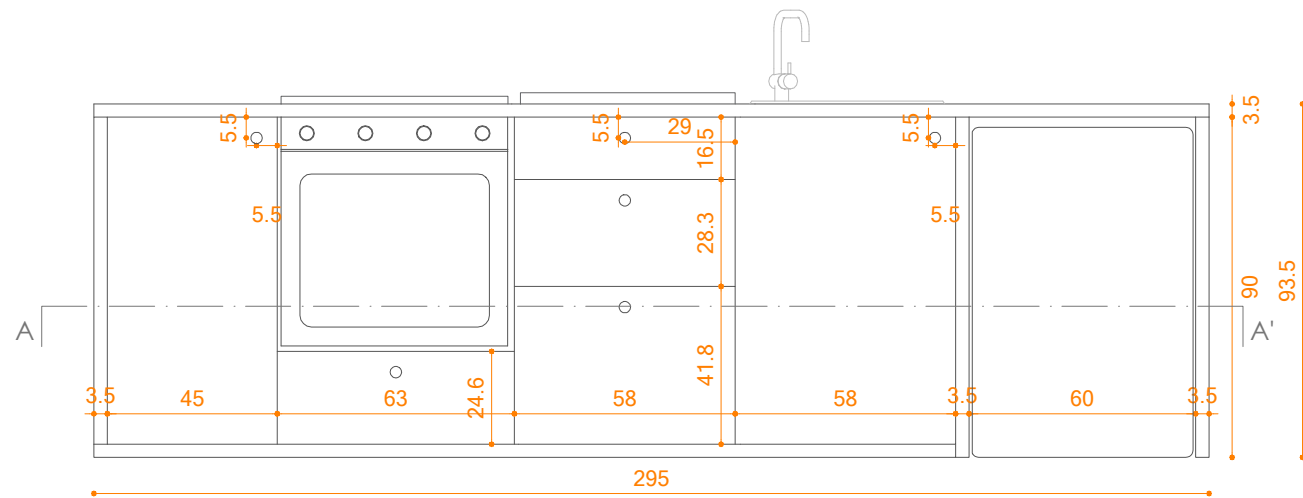


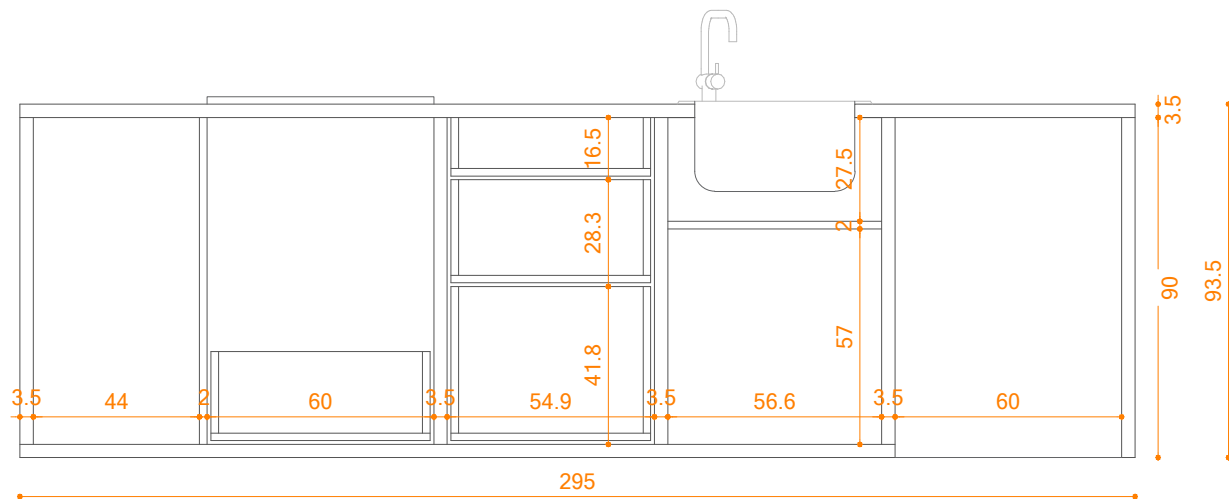
All the measures have to be confirmed on the construction site. If there are differences with the drawings, please contact the architects. All the iron fittings have to be approved by the architects. The architects decline any responsibilities if there are differences between the drawings and the realization and in this case the architects can refuse the finished product.

KITCHEN TOP HOUSE 5B
Scale: -
Date: December 2019
Page: 1/5

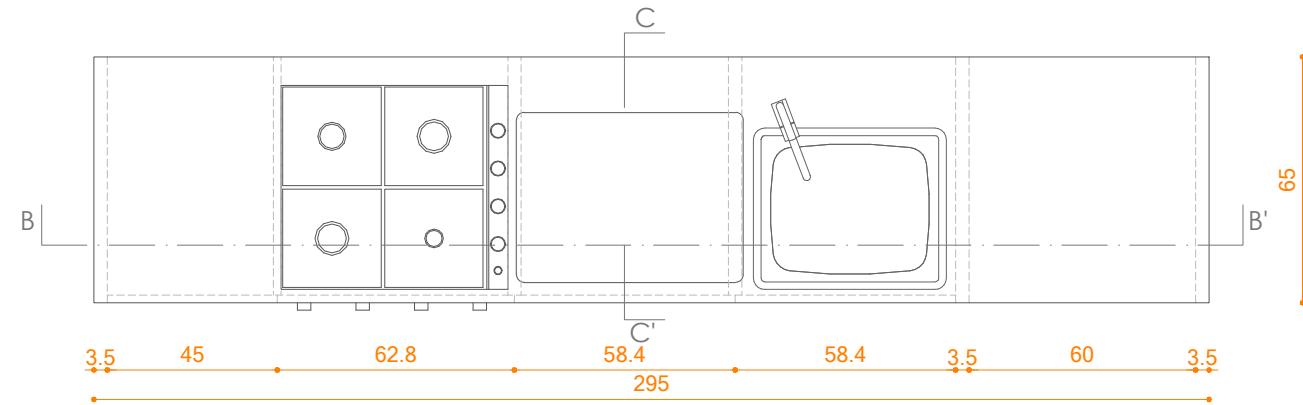
RAMOSCASTELLANO ARQUITECTOS
Avenida 5 de Julho, 18, Mindelo, 50123
t/m. 9975480 t/m. 9825632
www.ramoscastellano.com



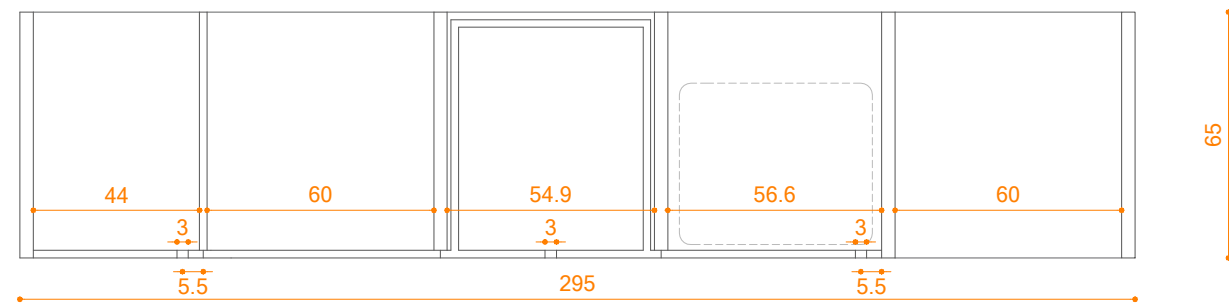
Frontal view



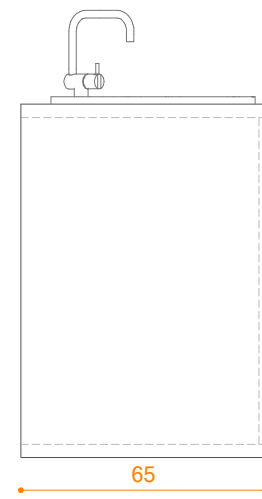
Section BB'



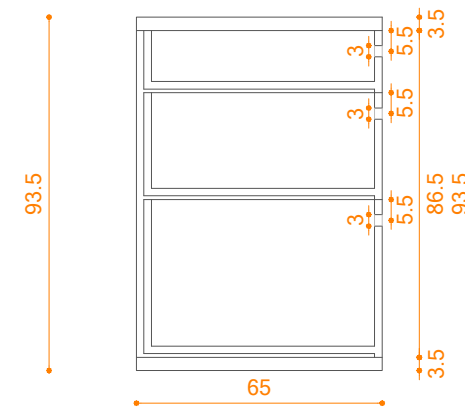
Top view



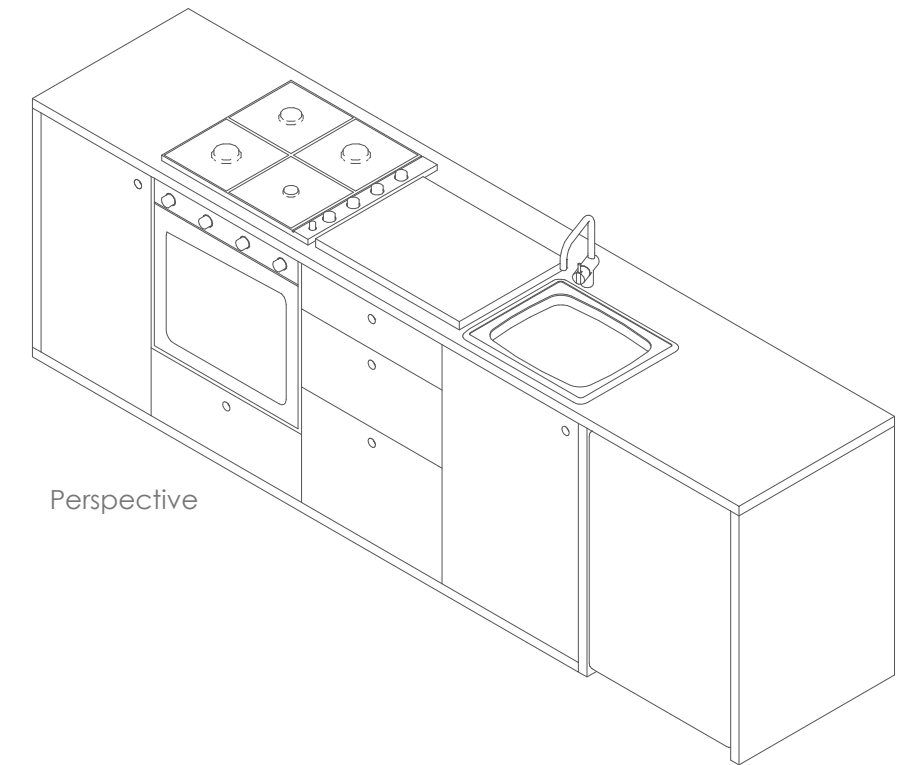
Section AA'



Lateral view



Section CC'

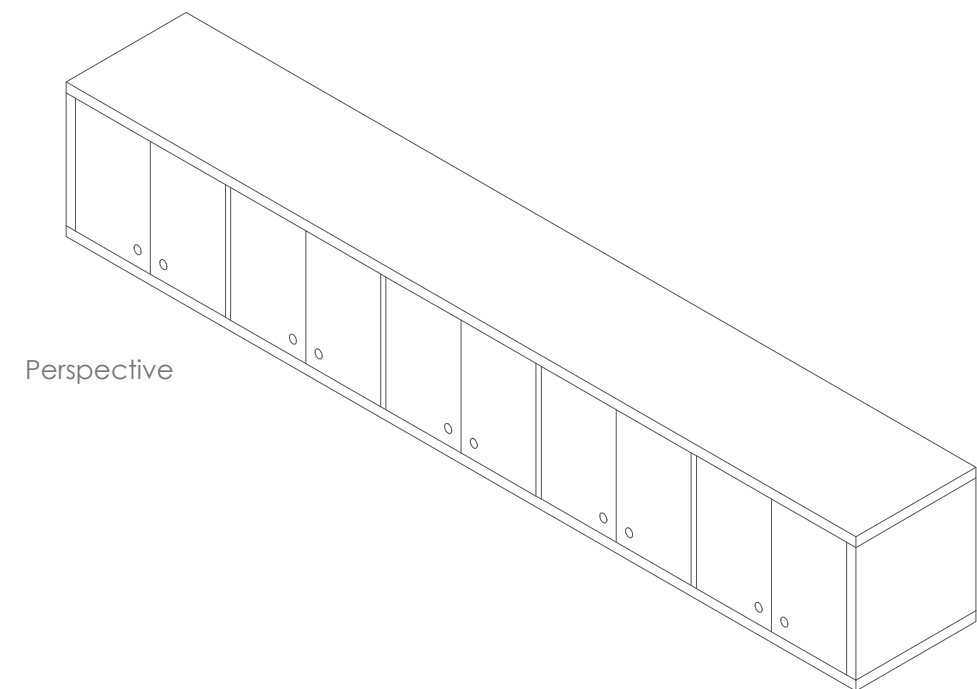
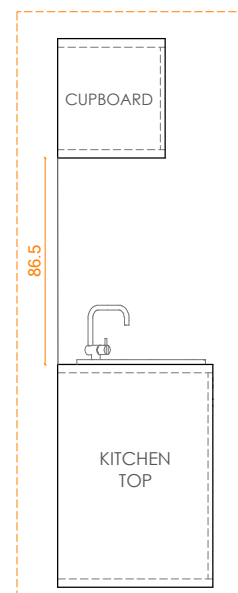
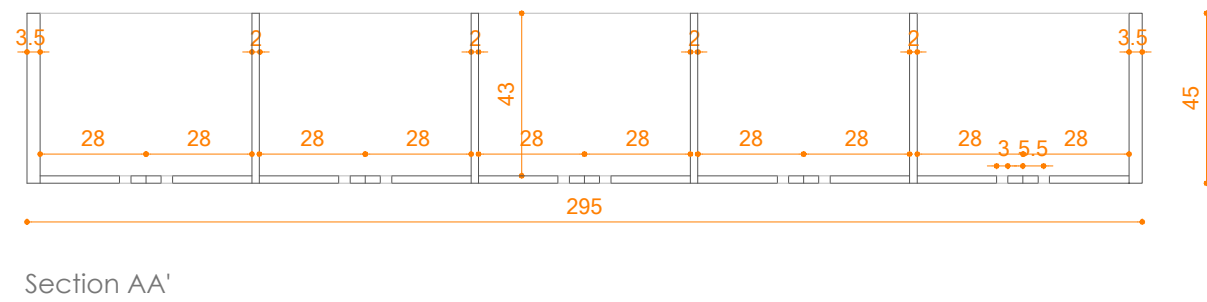
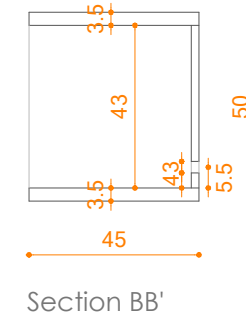
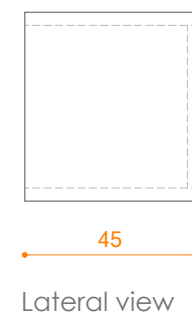
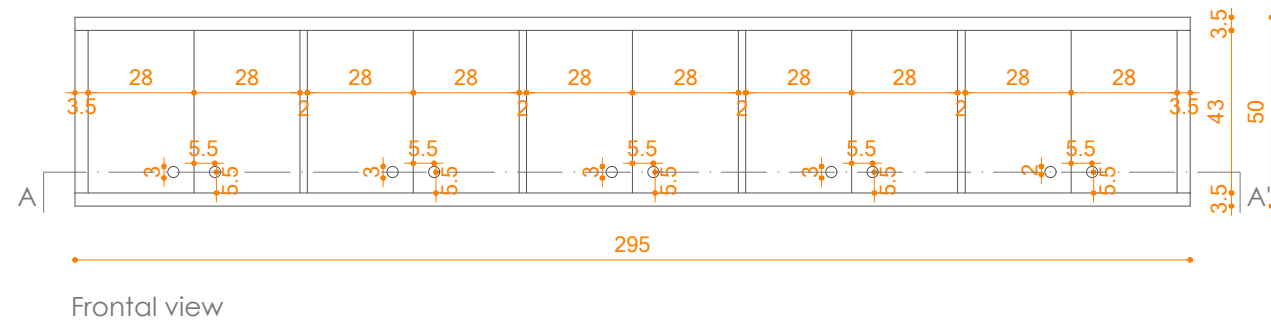
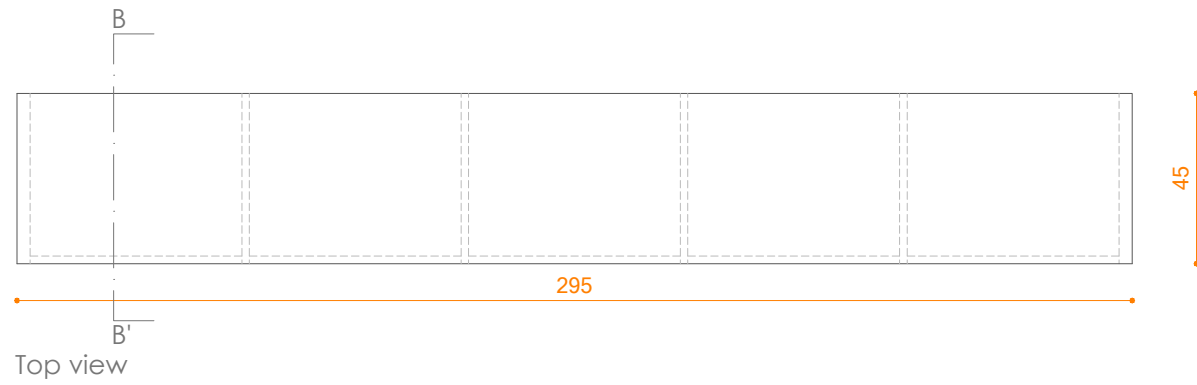


Perspective

All the measures have to be confirmed on the construction site. If there are differences with the drawings, please contact the architects. All the iron fittings have to be approved by the architects. The architects decline any responsibilities if there are differences between the drawings and the realization and in this case the architects can refuse the finished product.

KITCHEN TOP HOUSE 5B
 Scale: 1:20
 Date: December 2019
 Page: 2/5

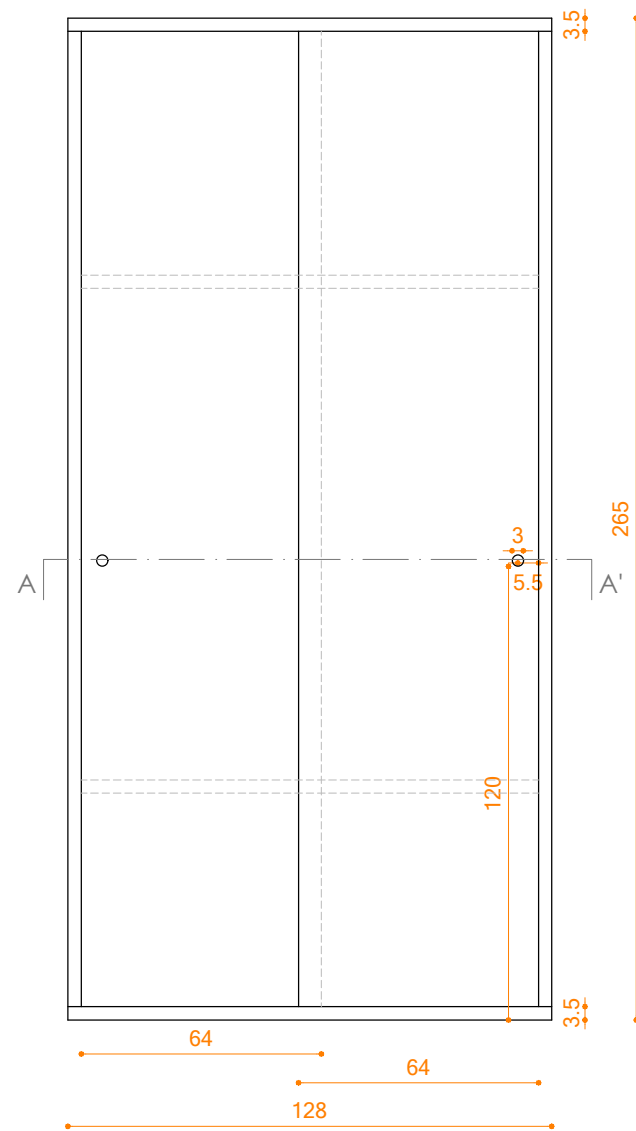
RAMOSCASTELLANO ARQUITECTOS
 Avenida 5 de Julho, 18, Mindelo, 50123
 tlm. 9975480 fhm. 9825632
www.ramoscastellano.com



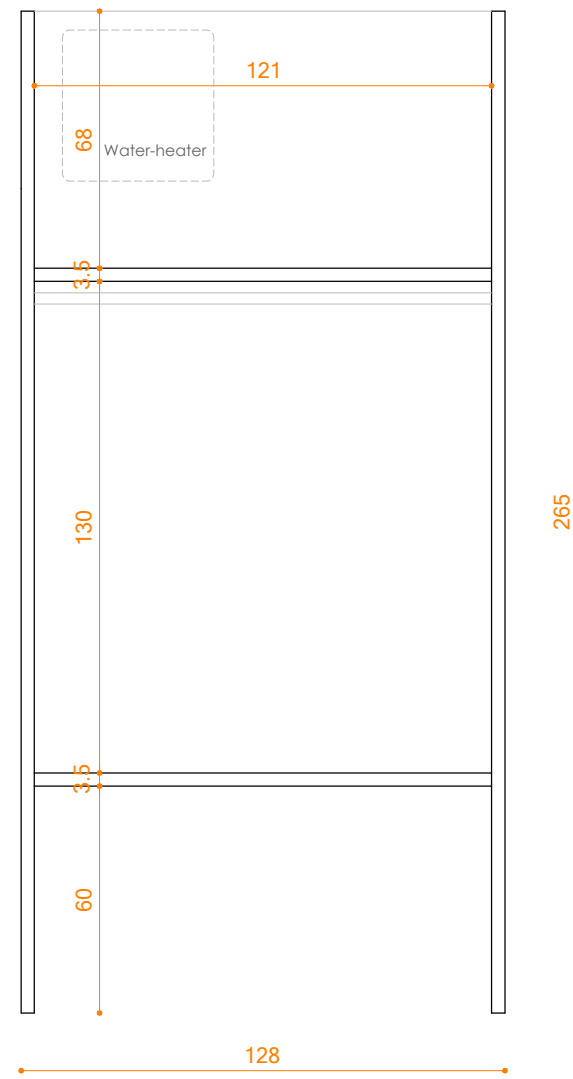
All the measures have to be confirmed on the construction site. If there are differences with the drawings, please contact the architects. All the iron fittings have to be approved by the architects. The architects decline any responsibilities if there are differences between the drawings and the realization and in this case the architects can refuse the finished product.

KITCHEN CUPBOARD HOUSE 5B
 Scale: 1:20
 Date: December 2019
 Page: 3/5

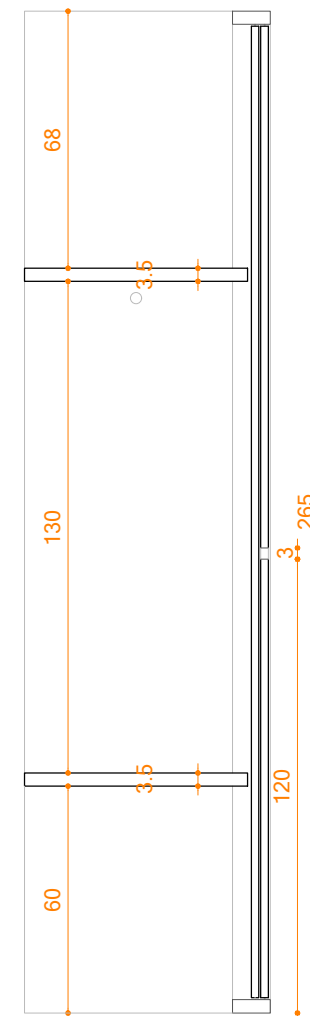
RAMOSCASTELLANO ARQUITECTOS
 Avenida 5 de Julho, 18, Mindelo, 50123
 tlm. 9975480 fhm. 9825632
 www.ramoscastellano.com



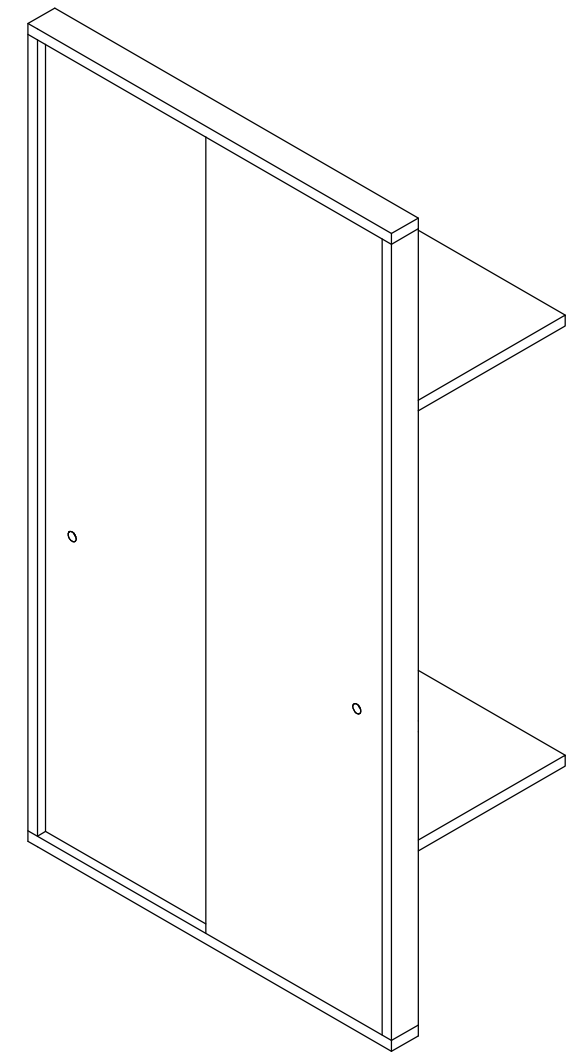
Frontal view



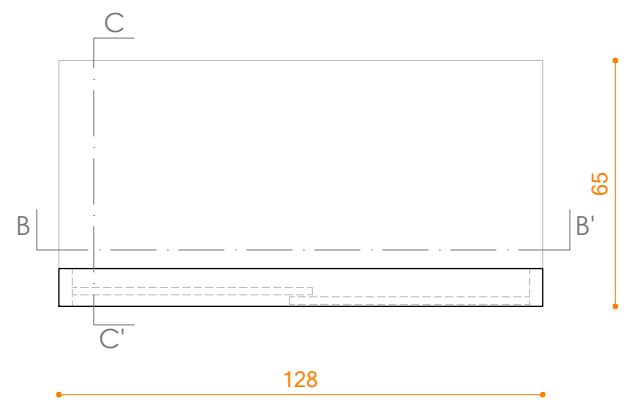
Section BB'



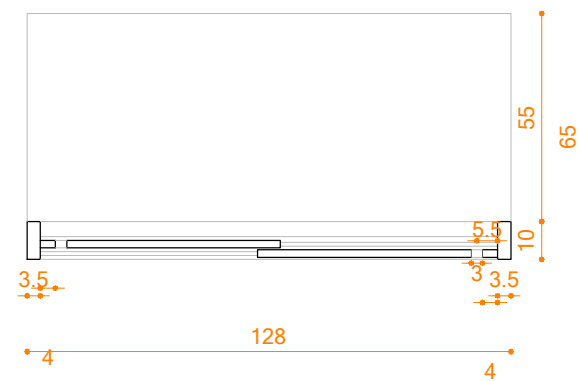
Section CC'



Perspective



Top view



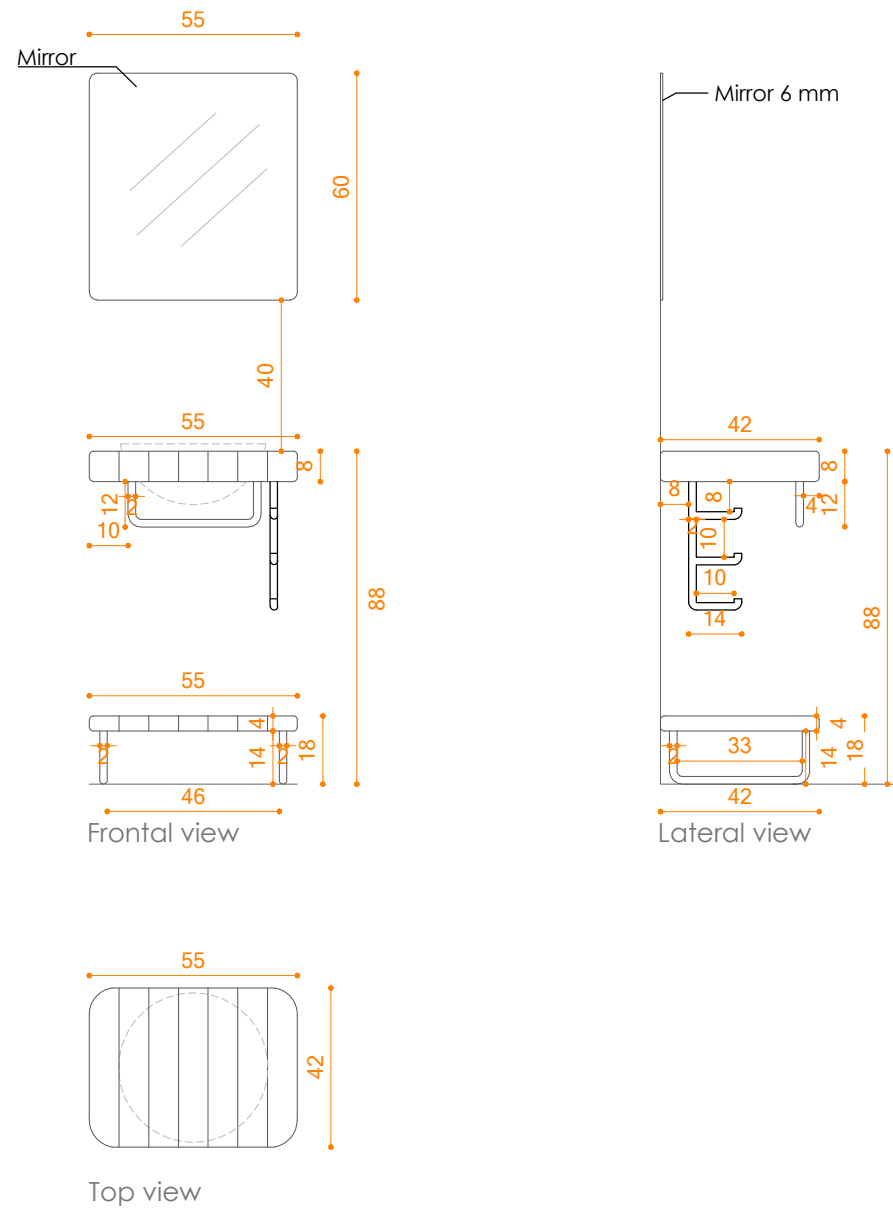
Section AA'

All the measures have to be confirmed on the construction site. If there are differences with the drawings, please contact the architects. All the iron fittings have to be approved by the architects. The architects decline any responsibilities if there are differences between the drawings and the realization and in this case the architects can refuse the finished product.

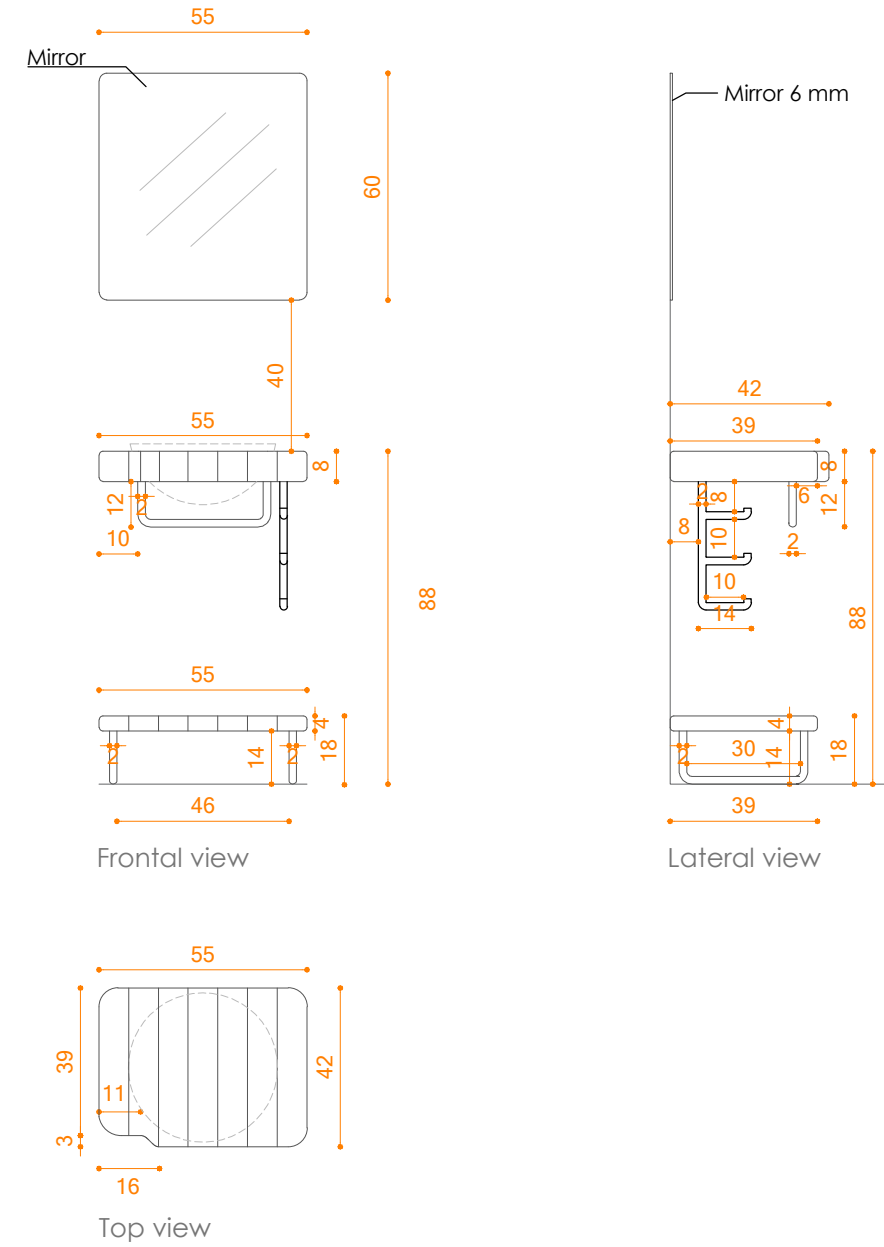
2x ROOM CLOSET HOUSE 5
 Scale: 1:20
 Date: December 2019
 Page: 4/5

RAMOSCASTELLANO ARQUITECTOS
 Avenida 5 de Julho, 18, Mindelo, 50123
 tlm. 9975480 fím. 9825632
www.ramoscastellano.com

WASH-BASIN HOUSE 5B



WASH-BASIN HOUSE 5A



All the measures have to be confirmed on the construction site. If there are differences with the drawings, please contact the architects. All the iron fittings have to be approved by the architects. The architects decline any responsibilities if there are differences between the drawings and the realization and in this case the architects can refuse the finished product.

WASH-BASINS - HOUSE 5
 Scale: 1:20
 Date: December 2020
 Page: 5/5

RAMOSCASTELLANO ARQUITECTOS
 Avenida 5 de Julho, 18, Mindelo, 50123
 tlm. 9975480 fhm. 9825632
www.ramoscastellano.com