

LÄNCKO®

THE WALLS YOU'VE BEEN WAITING FOR



Kubik-Walnut-Burnt Sepia

What will you **surface**?

Structure Collection

Läncko® Wall Systems

For more information, visit www.lancko.com

MEDIA
LINES
HEADBOARDS
BARS
HAMMERS
ELEVATORS
ROOM DIVIDERS
AND
MORE

THE FIBRES
SINGS
CEILINGS
CABINETS
FURNITURE
DOORS
WALLS

Structure Models



Kubik
Burnt Sepia



Sequence
Burnt Sepia



2 % Milk
Shown on Kubik



Champagne Bath
Shown on Sequence



Aged Wash
Shown on Kubik

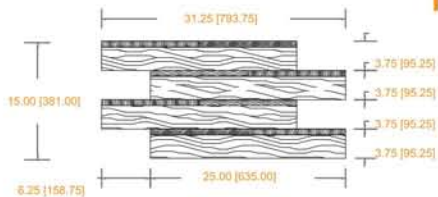


Thunderstorm
Shown on Sequence



Chocolate Fondue
Shown on Sequence

Species & Finish: Available in White Oak and Walnut in six unique finishes.



You want to **create** something custom?

A **unique** pattern or a special species?

Let's work as a **team** to **make** it happen

Custom Stain or Species Available.

The Läncko Wall System brings out a Contemporary and Warm aesthetic to any space. Our products are made from Recycled and/or Reclaimed wood, a completely Natural product that shows variations in color, stain, wood grain, and appearance. Colors and products are displayed as accurately as possible; the wall tiles as shown in our brochures, catalogs, spec sheets and on our website are never identical to each other or to products shipped. Color, texture, character, hewn and appearance variation is not covered by our warranty. The uniqueness and variation between tiles is the product's signature, personality and trait; these are completely normal. Please check products before installation, Lancko Group Inc. is not responsible for any installation fees. Returns will incur a re-stocking fee.

- ▶ **Tile Size:** 15" x 31 1/4" [381 x 793.75 mm]
- ▶ **Aprox Weight:** 4.30 Lbs per Tile, 28 Lbs per Package [Incl. Box]
- ▶ **Thickness:** From 3/4" [19.05 mm] to 15/16" [24 mm]
- ▶ **Coverage:** 3.07 sq ft. [0.28 m²] Per Tile, 18.44 sq ft. [1.71 m²] Per Box 6 Tiles per Box

Walnut

7964 Arjons Dr. Ste. F
San Diego, CA 92126-4392

Toll Free 888 452-6256 (4Lancko)

Phone 858 279-6256 Fax 858 225-0277 E-mail sales@lancko.com www.lancko.com

A graphic at the top of the page features a dark grey, curved background. In the center, a wooden plank is positioned diagonally, with the word "LÄNCKO" in a bold, black, sans-serif font. A registered trademark symbol (®) is located to the upper right of the word. Below the plank, several other wooden planks are stacked horizontally, creating a sense of depth and texture.

LÄNCKO®

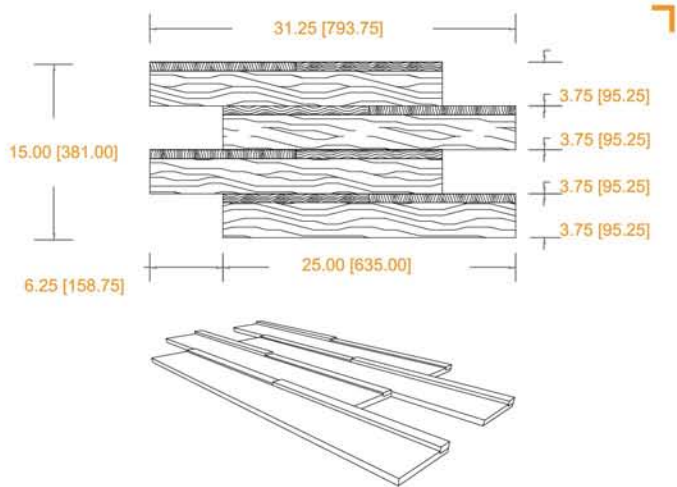
KUBIK
WALNUT

A graphic at the bottom of the page features a dark grey, curved background. The text "Läncko® Wall Systems" is written in a white, sans-serif font. "Läncko" is on the top line, "Wall" is on the second line, and "Systems" is on the third line, all right-aligned.

**Läncko® Wall
Systems**

LÄNCKO®

THE WALLS YOU'VE BEEN WAITING FOR



GENERAL SPECS

Tile Size: 15" x 31 1/4" [381 x 793.75 mm]
Aprox. Weight: 4.30 Lbs per Tile,
28 Lbs per Package [Incl. Box]
Thickness: 3/4" [19.05 mm]
Coverage: 3.07 sq ft. [0.28 m²] Per Tile,
18.44 sq ft. [1.71 m²] Per Box
6 Tiles per Box

*Accessories Available: Easy Starters, Electrical Outlet Trims, Window Trims, Corner Trims, Custom Baseboard and Crown.



TILE SPECS

- › Collection: Structure
- › Model: Kubik
- › Species: Solid Walnut with Walnut Veneer
- › Finish: Champagne Bath

*Also available in White Oak and other unique Finishes.

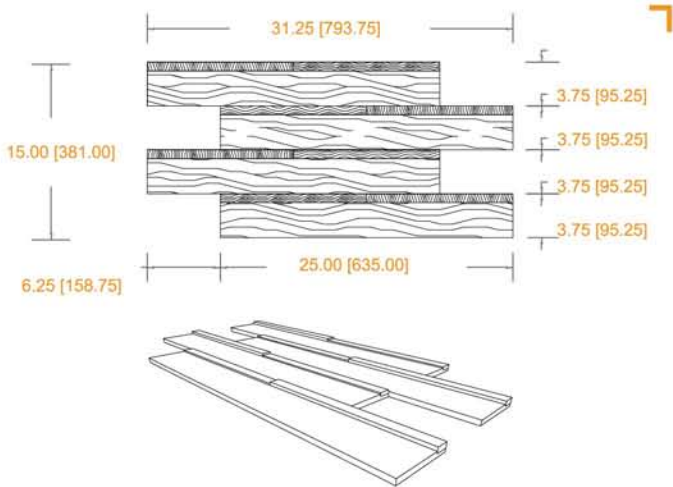
Läncko® Wall Systems

Structure Collection

› WWW.LANCKO.COM › 1 888 4LANCKO (452 6256) › FAX 858 225-0277 › SALES@LANCKO.COM

LÄNCKO®

THE WALLS YOU'VE BEEN WAITING FOR



GENERAL SPECS

Tile Size:	15" x 31 1/4" [381 x 793.75 mm]
Aprox. Weight:	4.30 Lbs per Tile, 28 Lbs per Package [Incl. Box]
Thickness:	3/4" [19.05 mm]
Coverage:	3.07 sq ft. [0.28 m ²] Per Tile, 18.44 sq ft. [1.71 m ²] Per Box 6 Tiles per Box

*Accessories Available: Easy Starters, Electrical Outlet Trims, Window Trims, Corner Trims, Custom Baseboard and Crown.



TILE SPECS

- ▶ Collection: Structure
- ▶ Model: Kubik
- ▶ Species: Solid Walnut with Walnut Veneer
- ▶ Finish: Burnt Sepia

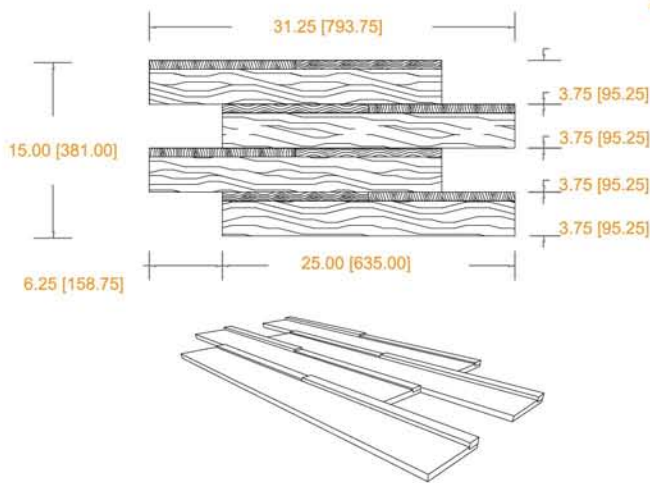
*Also available in White Oak and other unique Finishes.

Läncko® Wall Systems — Structure Collection

The Läncko Wall System brings out a Contemporary and Warm aesthetic to any space. Our products are made from Recycled and/or Reclaimed wood, a completely Natural product that shows variations in color, stain, wood grain, and appearance. Colors and products are displayed as accurately as possible; the wall tiles as shown in our brochures, catalogs, spec sheets and on our website are never identical to each other or to products shipped. Color, texture, character, hewn and appearance variation is not covered by our warranty. The uniqueness and variation between tiles is the product's signature, personality and trait; these are completely normal. Please check products before installation, Lancko Group Inc. is not responsible for any installation fees. Returns will incur a re-stocking fee.

LÄNCKO®

THE WALLS YOU'VE BEEN WAITING FOR



GENERAL SPECS

Tile Size:	15" x 31 1/4" [381 x 793.75 mm]
Aprox. Weight:	4.30 Lbs per Tile, 28 Lbs per Package [Incl. Box]
Thickness:	3/4" [19.05 mm]
Coverage:	3.07 sq ft. [0.28 m ²] Per Tile, 18.44 sq ft. [1.71 m ²] Per Box 6 Tiles per Box

*Accessories Available: Easy Starters, Electrical Outlet Trims, Window Trims, Corner Trims, Custom Baseboard and Crown.



TILE SPECS

- › Collection: Structure
- › Model: Kubik
- › Species: Solid Walnut with Walnut Veneer
- › Finish: Chocolate Fondue

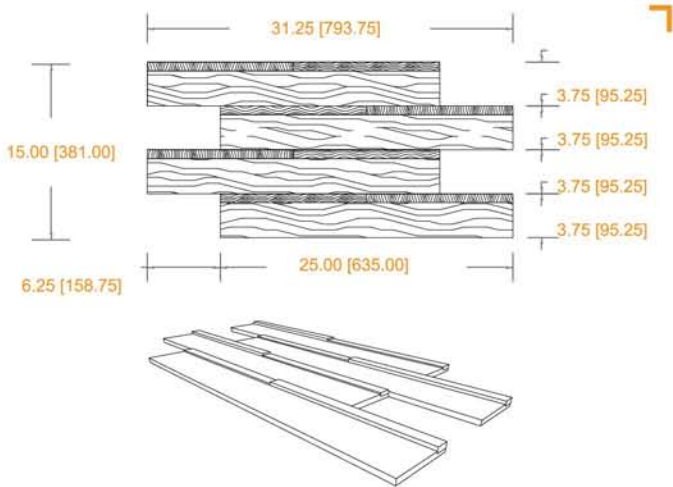
*Also available in White Oak and other unique Finishes.

Läncko® Wall Systems

Structure Collection

LÄNCKO®

THE WALLS YOU'VE BEEN WAITING FOR



GENERAL SPECS

Tile Size: 15" x 31 1/4" [381 x 793.75 mm]
 Approx. Weight: 4.30 Lbs per Tile,
 28 Lbs per Package [Incl. Box]
 Thickness: 3/4" [19.05 mm]
 Coverage: 3.07 sq ft. [0.28 m²] Per Tile,
 18.44 sq ft. [1.71 m²] Per Box
 6 Tiles per Box

*Accessories Available: Easy Starters, Electrical Outlet Trims,
 Window Trims, Corner Trims, Custom Baseboard and Crown.



TILE SPECS

- ▶ Collection: Structure
- ▶ Model: Kubik
- ▶ Species: Solid Walnut with Walnut Veneer
- ▶ Finish: Aged Wash

*Also available in White Oak and other unique Finishes.

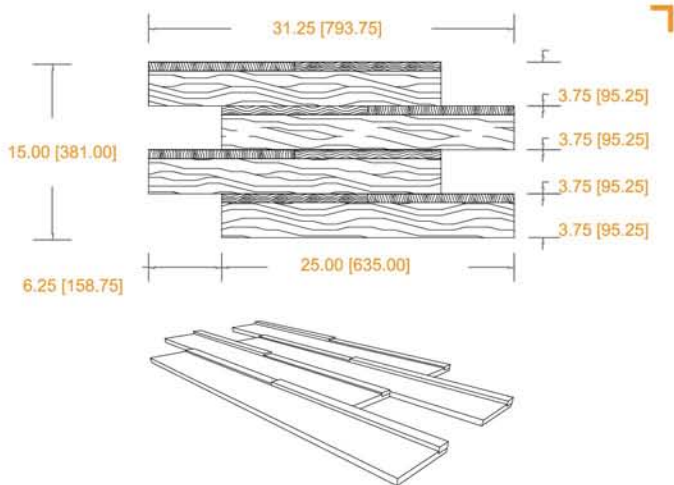
Läncko® Wall Systems

Structure Collection

▶ WWW.LANCKO.COM ▶ 1 888 4LANCKO (452 6256) ▶ FAX 858 225-0277 ▶ SALES@LANCKO.COM

LÄNCKO®

THE WALLS YOU'VE BEEN WAITING FOR



GENERAL SPECS

Tile Size:	15" x 31 1/4" [381 x 793.75 mm]
Aprox. Weight:	4.30 Lbs per Tile, 28 Lbs per Package [Incl. Box]
Thickness:	3/4" [19.05 mm]
Coverage:	3.07 sq ft. [0.28 m ²] Per Tile, 18.44 sq ft. [1.71 m ²] Per Box 6 Tiles per Box

*Accessories Available: Easy Starters, Electrical Outlet Trims, Window Trims, Corner Trims, Custom Baseboard and Crown.



TILE SPECS

- ▶ Collection: Structure
- ▶ Model: Kubik
- ▶ Species: Solid Walnut with Walnut Veneer
- ▶ Finish: 2% Milk

*Also available in White Oak and other unique Finishes.

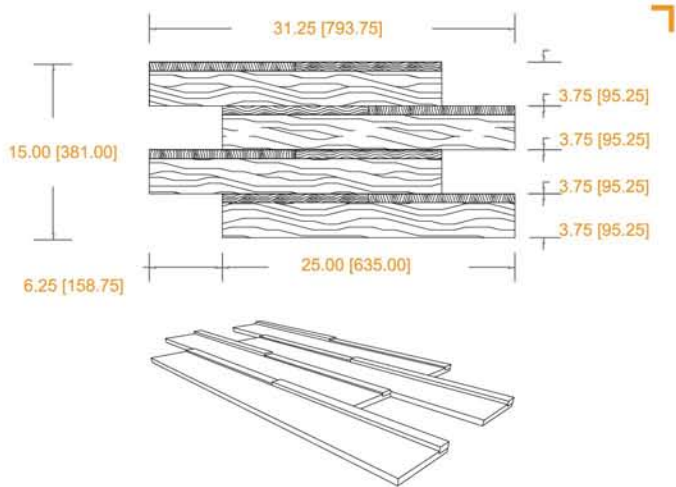
Läncko® Wall Systems

Structure Collection

▶ WWW.LANCKO.COM ▶ 1 888 4LANCKO (452 6256) ▶ FAX 858 225-0277 ▶ SALES@LANCKO.COM

LÄNCKO®

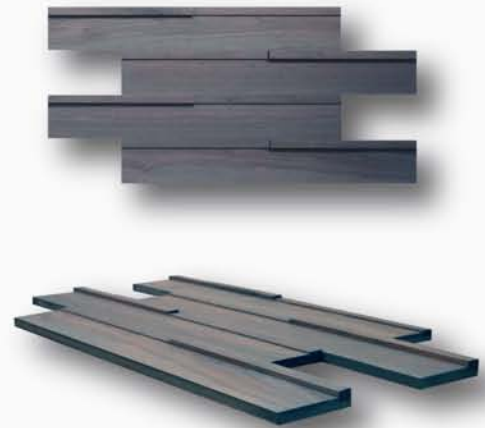
THE WALLS YOU'VE BEEN WAITING FOR



GENERAL SPECS

Tile Size: 15" x 31 1/4" [381 x 793.75 mm]
Aprox. Weight: 4.30 Lbs per Tile,
 28 Lbs per Package [Incl. Box]
Thickness: 3/4" [19.05 mm]
Coverage: 3.07 sq ft. [0.28 m²] Per Tile,
 18.44 sq ft. [1.71 m²] Per Box
 6 Tiles per Box

*Accessories Available: Easy Starters, Electrical Outlet Trims, Window Trims, Corner Trims, Custom Baseboard and Crown.



TILE SPECS

- ▶ **Collection:** Structure
- ▶ **Model:** Kubik
- ▶ **Species:** Solid Walnut with Walnut Veneer
- ▶ **Finish:** Thunderstorm

*Also available in White Oak and other unique Finishes.

Läncko® Wall Systems — Structure Collection

▶ WWW.LANCKO.COM ▶ 1 888 4LANCKO (452 6256) ▶ FAX 858 225-0277 ▶ SALES@LANCKO.COM

The Läncko Wall System brings out a Contemporary and Warm aesthetic to any space. Our products are made from Recycled and/or Reclaimed wood, a completely Natural product that shows variations in color, stain, wood grain, and appearance. Colors and products are displayed as accurately as possible; the wall tiles as shown in our brochures, catalogs, spec sheets and on our website are never identical to each other or to products shipped. Color, texture, character, hewn and appearance variation is not covered by our warranty. The uniqueness and variation between tiles is the product's signature, personality and trait; these are completely normal. Please check products before installation, Lancko Group Inc. is not responsible for any installation fees. Returns will incur a re-stocking fee.

The logo features the word "LÄNCKO" in a bold, black, sans-serif font with a registered trademark symbol (®) to its upper right. The text is set against a light-colored wooden plank that is part of a larger, curved wooden structure. Below the main plank, several other wooden planks are visible, some overlapping and some receding into the background, creating a sense of depth and texture. The entire scene is set against a dark, textured background that curves around the top and bottom of the image.

LÄNCKO®

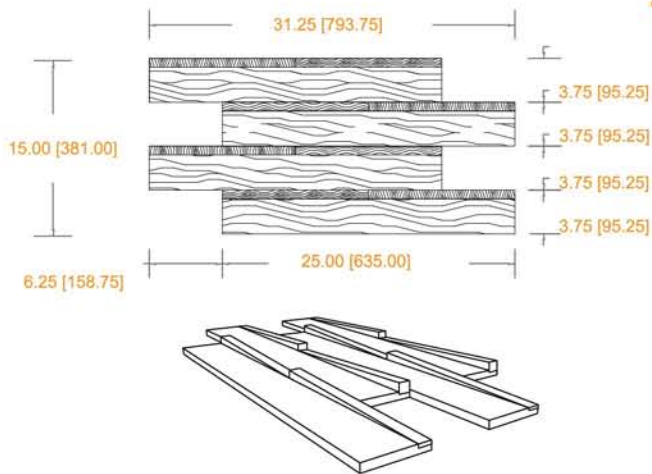
SEQUENCE
WALNUT

The logo consists of the text "Läncko® Wall Systems" in a white, sans-serif font. The word "Läncko" is on the top line, "Wall" is on the second line, and "Systems" is on the third line. The text is positioned in the bottom right corner of the image, set against a dark, curved background that matches the top of the page.

Läncko® Wall
Systems

LÄNCKO®

THE WALLS YOU'VE BEEN WAITING FOR



GENERAL SPECS

Tile Size: 15" x 31 1/4" [381 x 793.75 mm]
 Aprox. Weight: 4.30 Lbs per Tile,
 28 Lbs per Package [Incl. Box]
 Thickness: 15/16" [24 mm]
 Coverage: 3.07 sq ft. [0.28 m²] Per Tile,
 18.44 sq ft. [1.71 m²] Per Box
 6 Tiles per Box

*Accessories Available: Easy Starters, Electrical Outlet Trims,
 Window Trims, Corner Trims, Custom Baseboard and Crown.



TILE SPECS

- › Collection: Structure
- › Model: Sequence
- › Species: Solid Walnut with Walnut Veneer
- › Finish: Champagne Bath

*Also available in White Oak and other unique Finishes.

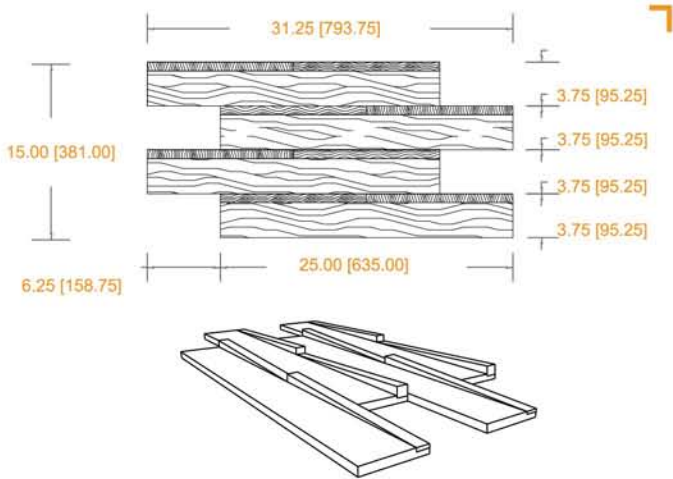
Läncko® Wall Systems

Structure Collection

› WWW.LANCKO.COM › 1 888 4LANCKO (452 6256) › FAX 858 225-0277 › SALES@LANCKO.COM

LÄNCKO®

THE WALLS YOU'VE BEEN WAITING FOR



GENERAL SPECS

Tile Size: 15" x 31 1/4" [381 x 793.75 mm]
Aprox. Weight: 4.30 Lbs per Tile,
 28 Lbs per Package [Incl. Box]
Thickness: 15/16" [24 mm]
Coverage: 3.07 sq ft. [0.28 m²] Per Tile,
 18.44 sq ft. [1.71 m²] Per Box
 6 Tiles per Box

*Accessories Available: Easy Starters, Electrical Outlet Trims, Window Trims, Corner Trims, Custom Baseboard and Crown.



TILE SPECS

- ▶ **Collection:** Structure
- ▶ **Model:** Sequence
- ▶ **Species:** Solid Walnut with Walnut Veneer
- ▶ **Finish:** Burnt Sepia

*Also available in White Oak and other unique Finishes.

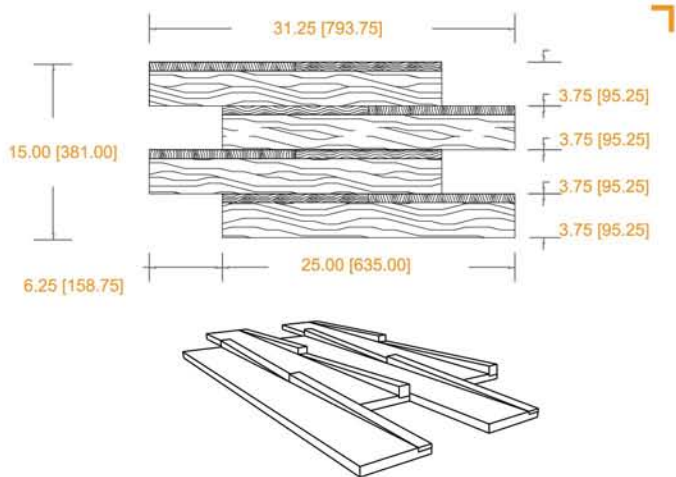
Läncko® Wall Systems — Structure Collection

▶ WWW.LANCKO.COM ▶ 1 888 4LANCKO (452 6256) ▶ FAX 858 225-0277 ▶ SALES@LANCKO.COM

The Läncko Wall System brings out a Contemporary and Warm aesthetic to any space. Our products are made from Recycled and/or Reclaimed wood, a completely Natural product that shows variations in color, stain, wood grain, and appearance. Colors and products are displayed as accurately as possible; the wall tiles as shown in our brochures, catalogs, spec sheets and on our website are never identical to each other or to products shipped. Color, texture, character, hewn and appearance variation is not covered by our warranty. The uniqueness and variation between tiles is the product's signature, personality and trait; these are completely normal. Please check products before installation, Lancko Group Inc. is not responsible for any installation fees. Returns will incur a re-stocking fee.

LÄNCKO®

THE WALLS YOU'VE BEEN WAITING FOR



GENERAL SPECS

Tile Size: 15" x 31 1/4" [381 x 793.75 mm]
 Aprox. Weight: 4.30 Lbs per Tile,
 28 Lbs per Package [Incl. Box]
 Thickness: 15/16" [24 mm]
 Coverage: 3.07 sq ft. [0.28 m²] Per Tile,
 18.44 sq ft. [1.71 m²] Per Box
 6 Tiles per Box

*Accessories Available: Easy Starters, Electrical Outlet Trims, Window Trims, Corner Trims, Custom Baseboard and Crown.



TILE SPECS

- ▶ Collection: Structure
- ▶ Model: Sequence
- ▶ Species: Solid Walnut with Walnut Veneer
- ▶ Finish: Chocolate Fondue

*Also available in White Oak and other unique Finishes.

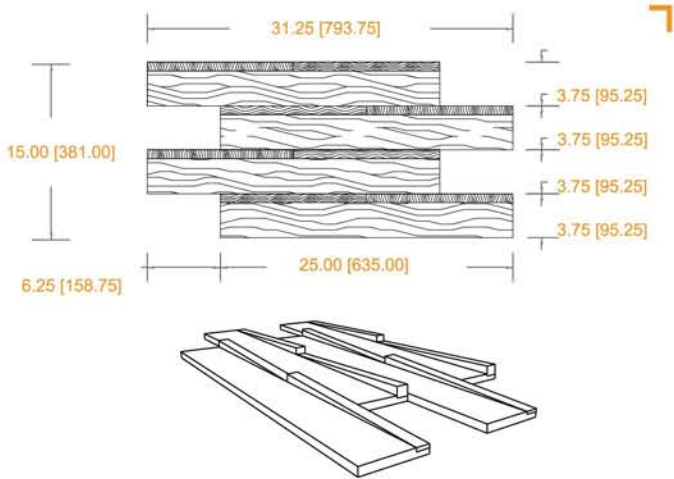
Läncko® Wall Systems — Structure Collection

▶ WWW.LANCKO.COM ▶ 1 888 4LANCKO (452 6256) ▶ FAX 858 225-0277 ▶ SALES@LANCKO.COM

The Läncko Wall System brings out a Contemporary and Warm aesthetic to any space. Our products are made from Recycled and/or Reclaimed wood, a completely Natural product that shows variations in color, stain, wood grain, and appearance. Colors and products are displayed as accurately as possible; the wall tiles as shown in our brochures, catalogs, spec sheets and on our website are never identical to each other or to products shipped. Color, texture, character, hewn and appearance variation is not covered by our warranty. The uniqueness and variation between tiles is the product's signature, personality and trait; these are completely normal. Please check products before installation, Lancko Group Inc. is not responsible for any installation fees. Returns will incur a re-stocking fee.

LÄNCKO®

THE WALLS YOU'VE BEEN WAITING FOR



GENERAL SPECS

Tile Size: 15" x 31 1/4" [381 x 793.75 mm]
Aprox. Weight: 4.30 Lbs per Tile,
 28 Lbs per Package [Incl. Box]
Thickness: 15/16" [24 mm]
Coverage: 3.07 sq ft. [0.28 m²] Per Tile,
 18.44 sq ft. [1.71 m²] Per Box
 6 Tiles per Box

*Accessories Available: Easy Starters, Electrical Outlet Trims, Window Trims, Corner Trims, Custom Baseboard and Crown.



TILE SPECS

- ▶ **Collection:** Structure
- ▶ **Model:** Sequence
- ▶ **Species:** Solid Walnut with Walnut Veneer
- ▶ **Finish:** Aged Wash

*Also available in White Oak and other unique Finishes.

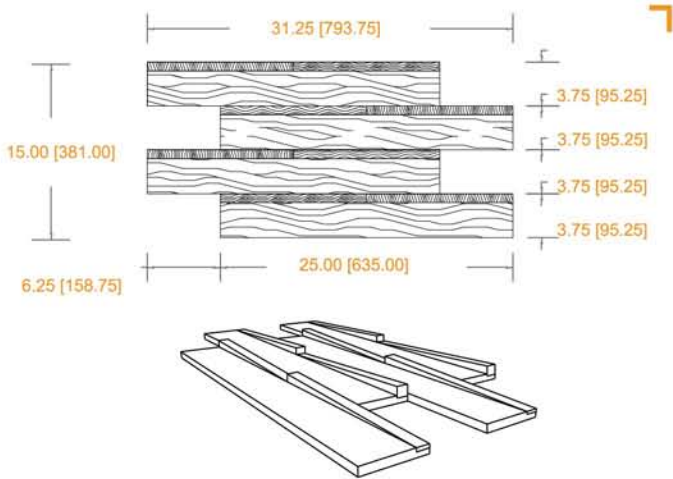
Läncko® Wall Systems — Structure Collection

▶ WWW.LANCKO.COM ▶ 1 888 4LANCKO (452 6256) ▶ FAX 858 225-0277 ▶ SALES@LANCKO.COM

The Läncko Wall System brings out a Contemporary and Warm aesthetic to any space. Our products are made from Recycled and/or Reclaimed wood, a completely Natural product that shows variations in color, stain, wood grain, and appearance. Colors and products are displayed as accurately as possible; the wall tiles as shown in our brochures, catalogs, spec sheets and on our website are never identical to each other or to products shipped. Color, texture, character, hewn and appearance variation is not covered by our warranty. The uniqueness and variation between tiles is the product's signature, personality and trait; these are completely normal. Please check products before installation, Lancko Group Inc. is not responsible for any installation fees. Returns will incur a re-stocking fee.

LÄNCKO®

THE WALLS YOU'VE BEEN WAITING FOR



GENERAL SPECS

Tile Size: 15" x 31 1/4" [381 x 793.75 mm]
Aprox. Weight: 4.30 Lbs per Tile,
28 Lbs per Package [Incl. Box]
Thickness: 15/16" [24 mm]
Coverage: 3.07 sq ft. [0.28 m²] Per Tile,
18.44 sq ft. [1.71 m²] Per Box
6 Tiles per Box

*Accessories Available: Easy Starters, Electrical Outlet Trims,
Window Trims, Corner Trims, Custom Baseboard and Crown.



TILE SPECS

- ▶ Collection: Structure
- ▶ Model: Sequence
- ▶ Species: Solid Walnut with Walnut Veneer
- ▶ Finish: 2% Milk

*Also available in White Oak and other unique Finishes.

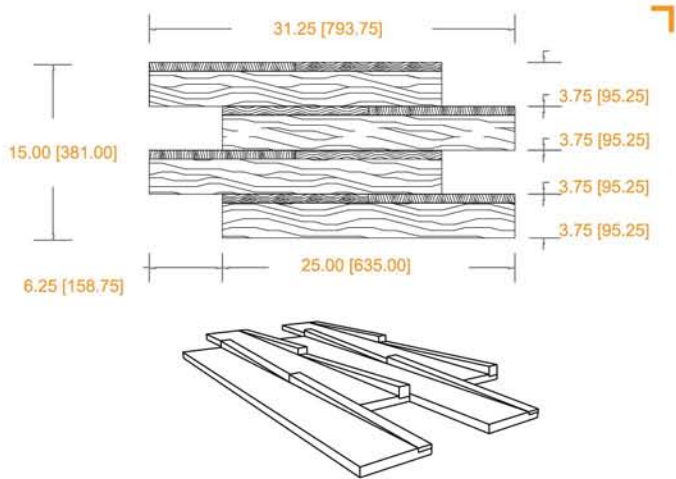
Läncko® Wall Systems

Structure Collection

▶ WWW.LANCKO.COM ▶ 1 888 4LANCKO (452 6256) ▶ FAX 858 225-0277 ▶ SALES@LANCKO.COM

LÄNCKO®

THE WALLS YOU'VE BEEN WAITING FOR



GENERAL SPECS

Tile Size: 15" x 31 1/4" [381 x 793.75 mm]
 Aprox. Weight: 4.30 Lbs per Tile,
 28 Lbs per Package [Incl. Box]
 Thickness: 15/16" [24 mm]
 Coverage: 3.07 sq ft. [0.28 m²] Per Tile,
 18.44 sq ft. [1.71 m²] Per Box
 6 Tiles per Box

*Accessories Available: Easy Starters, Electrical Outlet Trims, Window Trims, Corner Trims, Custom Baseboard and Crown.



TILE SPECS

- ▶ Collection: Structure
- ▶ Model: Sequence
- ▶ Species: Solid Walnut with Walnut Veneer
- ▶ Finish: Thunderstorm

*Also available in White Oak and other unique Finishes.

Läncko® Wall Systems

Structure Collection

▶ WWW.LANCKO.COM ▶ 1 888 4LANCKO (452 6256) ▶ FAX 858 225-0277 ▶ SALES@LANCKO.COM

The Läncko Wall System brings out a Contemporary and Warm aesthetic to any space. Our products are made from Recycled and/or Reclaimed wood, a completely Natural product that shows variations in color, stain, wood grain, and appearance. Colors and products are displayed as accurately as possible; the wall tiles as shown in our brochures, catalogs, spec sheets and on our website are never identical to each other or to products shipped. Color, texture, character, hewn and appearance variation is not covered by our warranty. The uniqueness and variation between tiles is the product's signature, personality and trait; these are completely normal. Please check products before installation, Läncko Group Inc. is not responsible for any installation fees. Returns will incur a re-stocking fee.

Structure Models



Kubik
2 % Milk



Sequence
2 % Milk



Champagne Bath
▶ Shown on Kubik



Aged Wash
▶ Shown on Sequence



Thunderstorm
▶ Shown on Kubik

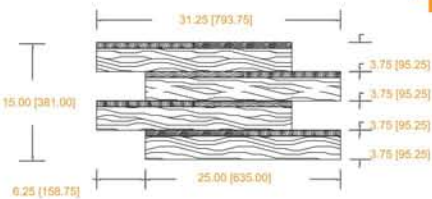


Burnt Sepia
▶ Shown on Sequence



Chocolate Fondue
▶ Shown on Sequence

Species & Finish: Available in White Oak and Walnut in six unique finishes.



You want to **create** something custom?

A **unique** pattern or a special species?

Let's work as a **team** to **make** it happen

Custom Stain or Species Available.

- ▶ **Tile Size:** 15" x 31 1/4" [381 x 793.75 mm]
- ▶ **Aprox Weight:** 4.30 Lbs per Tile, 28 Lbs per Package [Incl. Box]
- ▶ **Thickness:** From 3/4" [19.05 mm] to 15/16" [24 mm]
- ▶ **Coverage:** 3.07 sq ft. [0.28 m²] Per Tile, 18.44 sq ft. [1.71 m²] Per Box 6 Tiles per Box

The Läncko Wall System brings out a Contemporary and Warm aesthetic to any space. Our products are made from Recycled and/or Reclaimed wood, a completely Natural product that shows variations in color, stain, wood grain, and appearance. Colors and products are displayed as accurately as possible; the wall tiles as shown in our brochures, catalogs, spec sheets and on our website are never identical to each other or to products shipped. Color, texture, character, hewn and appearance variation is not covered by our warranty. The uniqueness and variation between tiles is the product's signature, personality and trait; these are completely normal. Please check products before installation, Lancko Group Inc. is not responsible for any installation fees. Returns will incur a re-stocking fee.

White Oak

7964 Arjons Dr. Ste. F
San Diego, CA 92126-4392

Toll Free 888 452-6256 (4Lancko)

Phone 858 279-6256 Fax 858 225-0277 E-mail sales@lancko.com www.lancko.com

The logo features the word "LÄNCKO" in a bold, black, sans-serif font with a registered trademark symbol (®) to its upper right. The text is set against a light-colored wooden plank that is part of a larger wall system. The plank is slightly angled and is surrounded by other horizontal wooden elements, all set against a dark, curved background.

LÄNCKO®

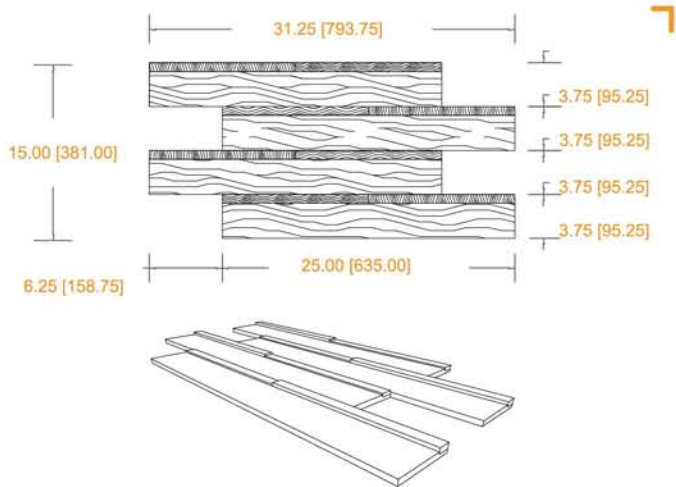
KUBIK
WHITE OAK

The logo consists of the text "Läncko® Wall Systems" in a white, sans-serif font. The word "Läncko" is on the top line, "Wall" is on the second line, and "Systems" is on the third line. The text is positioned on a dark, curved background that resembles a wooden wall panel.

**Läncko® Wall
Systems**

LÄNCKO®

THE WALLS YOU'VE BEEN WAITING FOR



GENERAL SPECS

Tile Size:	15" x 31 ¹ / ₄ " [381 x 793.75 mm]
Aprox. Weight:	4.30 Lbs per Tile, 28 Lbs per Package [Incl. Box]
Thickness:	3/4" [19.05 mm]
Coverage:	3.07 sq ft. [0.28 m ²] Per Tile, 18.44 sq ft. [1.71 m ²] Per Box 6 Tiles per Box

Accessories Available: Easy Starters, Electrical Outlet Trims, Window Trims, Corner Trims, Custom Baseboard and Crown.



TILE SPECS

- Collection: Structure
- Model: Kubik
- Species: Solid White Oak with White Oak Veneer
- Finish: 2% Milk

Also available in Walnut and other unique Finishes.

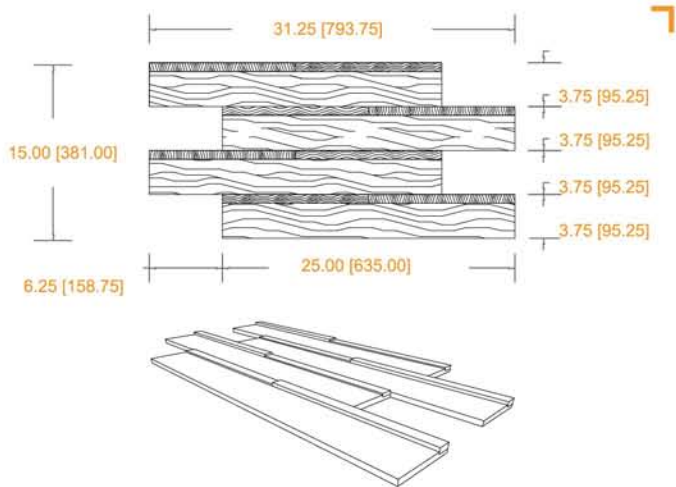
Läncko® Wall Systems

Structure Collection

WWW.LANCKO.COM 1 888 4LANCKO (452 6256) FAX 858 225-0277 SALES@LANCKO.COM

LÄNCKO®

THE WALLS YOU'VE BEEN WAITING FOR



GENERAL SPECS

Tile Size:	15" x 31 1/4" [381 x 793.75 mm]
Aprox. Weight:	4.30 Lbs per Tile, 28 Lbs per Package [Incl. Box]
Thickness:	3/4" [19.05 mm]
Coverage:	3.07 sq ft. [0.28 m ²] Per Tile, 18.44 sq ft. [1.71 m ²] Per Box 6 Tiles per Box

*Accessories Available: Easy Starters, Electrical Outlet Trims, Window Trims, Corner Trims, Custom Baseboard and Crown.



TILE SPECS

- › Collection: Structure
- › Model: Kubik
- › Species: Solid White Oak with White Oak Veneer
- › Finish: Champagne Bath

*Also available in Walnut and other unique Finishes.

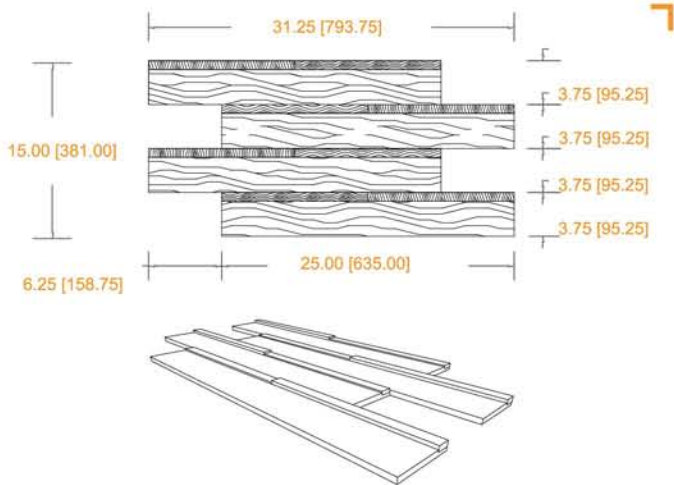
Läncko® Wall Systems — Structure Collection

› WWW.LANCKO.COM › 1 888 4LANCKO (452 6256) › FAX 858 225-0277 › SALES@LANCKO.COM

The Läncko Wall System brings out a Contemporary and Warm aesthetic to any space. Our products are made from Recycled and/or Reclaimed wood, a completely Natural product that shows variations in color, stain, wood grain, and appearance. Colors and products are displayed as accurately as possible; the wall tiles as shown in our brochures, catalogs, spec sheets and on our website are never identical to each other or to products shipped. Color, texture, character, hewn and appearance variation is not covered by our warranty. The uniqueness and variation between tiles is the product's signature, personality and trait; these are completely normal. Please check products before installation, Lancko Group Inc. is not responsible for any installation fees. Returns will incur a re-stocking fee.

LÄNCKO®

THE WALLS YOU'VE BEEN WAITING FOR



GENERAL SPECS

Tile Size:	15" x 31 ¹ / ₄ " [381 x 793.75 mm]
Aprox. Weight:	4.30 Lbs per Tile, 28 Lbs per Package [Incl. Box]
Thickness:	3/4" [19.05 mm]
Coverage:	3.07 sq ft. [0.28 m ²] Per Tile, 18.44 sq ft. [1.71 m ²] Per Box 6 Tiles per Box

* Accessories Available: Easy Starters, Electrical Outlet Trims, Window Trims, Corner Trims, Custom Baseboard and Crown.



TILE SPECS

- ▶ Collection: Structure
- ▶ Model: Kubik
- ▶ Species: Solid White Oak with White Oak Veneer
- ▶ Finish: Burnt Sepia

* Also available in Walnut and other unique Finishes.

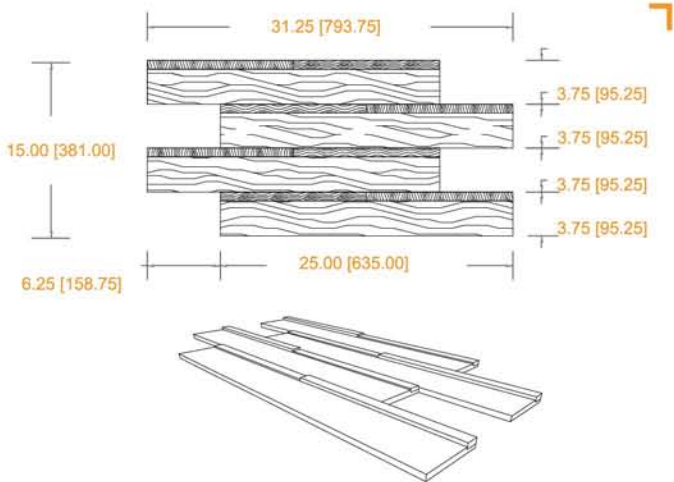
Läncko® Wall Systems

Structure Collection

▶ WWW.LANCKO.COM ▶ 1 888 4LANCKO (452 6256) ▶ FAX 858 225-0277 ▶ SALES@LANCKO.COM

LÄNCKO®

THE WALLS YOU'VE BEEN WAITING FOR



GENERAL SPECS

Tile Size:	15" x 31 1/4" [381 x 793.75 mm]
Aprox. Weight:	4.30 Lbs per Tile, 28 Lbs per Package [Incl. Box]
Thickness:	3/4" [19.05 mm]
Coverage:	3.07 sq ft. [0.28 m ²] Per Tile, 18.44 sq ft. [1.71 m ²] Per Box 6 Tiles per Box

*Accessories Available: Easy Starters, Electrical Outlet Trims, Window Trims, Corner Trims, Custom Baseboard and Crown.



TILE SPECS

- ▶ Collection: Structure
- ▶ Model: Kubik
- ▶ Species: Solid White Oak with White Oak Veneer
- ▶ Finish: Chocolate Fondue

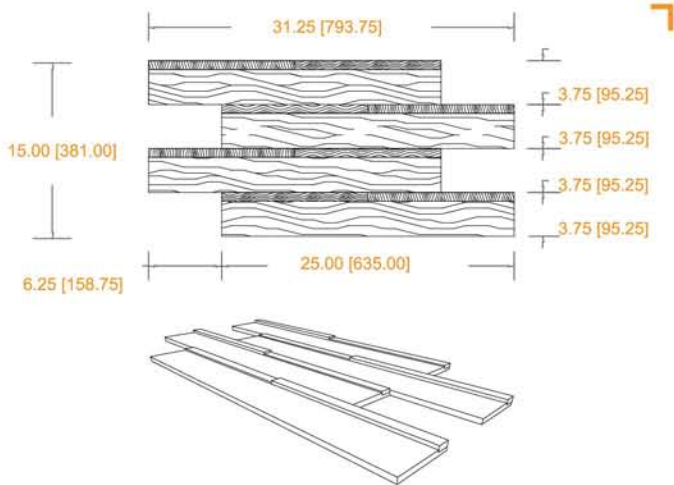
*Also available in Walnut and other unique Finishes.

Läncko® Wall Systems

Structure Collection

LÄNCKO®

THE WALLS YOU'VE BEEN WAITING FOR



GENERAL SPECS

Tile Size:	15" x 31 1/4" [381 x 793.75 mm]
Aprox. Weight:	4.30 Lbs per Tile, 28 Lbs per Package [Incl. Box]
Thickness:	3/4" [19.05 mm]
Coverage:	3.07 sq ft. [0.28 m ²] Per Tile, 18.44 sq ft. [1.71 m ²] Per Box 6 Tiles per Box

*Accessories Available: Easy Starters, Electrical Outlet Trims, Window Trims, Corner Trims, Custom Baseboard and Crown.



TILE SPECS

- › Collection: Structure
- › Model: Kubik
- › Species: Solid White Oak with White Oak Veneer
- › Finish: Aged Wash

*Also available in Walnut and other unique Finishes.

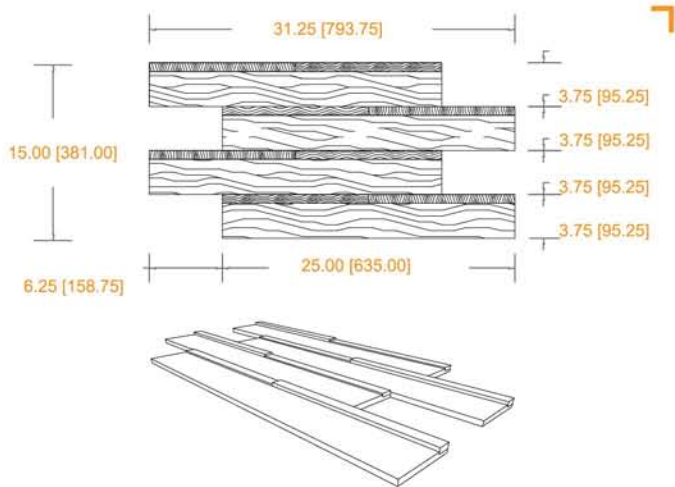
Läncko® Wall Systems

Structure Collection

› WWW.LANCKO.COM › 1 888 4LANCKO (452 6256) › FAX 858 225-0277 › SALES@LANCKO.COM

LÄNCKO®

THE WALLS YOU'VE BEEN WAITING FOR



GENERAL SPECS

Tile Size:	15" x 31 1/4" [381 x 793.75 mm]
Aprox. Weight:	4.30 Lbs per Tile, 28 Lbs per Package [Incl. Box]
Thickness:	3/4" [19.05 mm]
Coverage:	3.07 sq ft. [0.28 m ²] Per Tile, 18.44 sq ft. [1.71 m ²] Per Box 6 Tiles per Box

*Accessories Available: Easy Starters, Electrical Outlet Trims, Window Trims, Corner Trims, Custom Baseboard and Crown.



TILE SPECS

- › Collection: Structure
- › Model: Kubik
- › Species: Solid White Oak with White Oak Veneer
- › Finish: Thunderstorm

*Also available in Walnut and other unique Finishes.

Läncko® Wall Systems

Structure Collection

› WWW.LANCKO.COM › 1 888 4LANCKO (452 6256) › FAX 858 225-0277 › SALES@LANCKO.COM

The logo features the word "LÄNCKO" in a bold, black, sans-serif font with a registered trademark symbol (®) to its upper right. The text is set against a light-colored wooden plank that is part of a larger, curved wooden structure. Below the main plank, several other wooden planks are visible, some overlapping and some receding into the background, creating a sense of depth and texture. The entire scene is set against a dark, textured background that curves around the top and bottom of the image.

LÄNCKO®

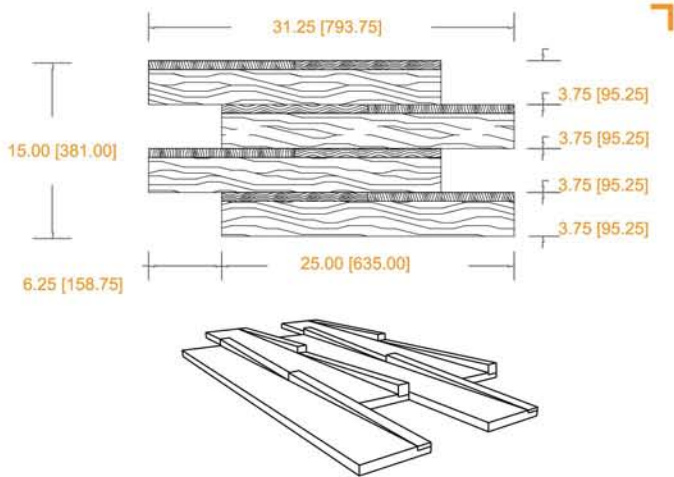
SEQUENCE
WHITE OAK

The logo consists of the text "Läncko® Wall Systems" in a white, sans-serif font. The word "Läncko" is on the top line, "Wall" is on the second line, and "Systems" is on the third line. The text is positioned on a dark, curved background that matches the top of the page.

**Läncko® Wall
Systems**

LÄNCKO®

THE WALLS YOU'VE BEEN WAITING FOR



GENERAL SPECS

Tile Size:	15" x 31 1/4" [381 x 793.75 mm]
Aprox. Weight:	4.30 Lbs per Tile, 28 Lbs per Package [Incl. Box]
Thickness:	15/16" [24 mm]
Coverage:	3.07 sq ft. [0.28 m ²] Per Tile, 18.44 sq ft. [1.71 m ²] Per Box 6 Tiles per Box

Accessories Available: Easy Starters, Electrical Outlet Trims, Window Trims, Corner Trims, Custom Baseboard and Crown.



TILE SPECS

- Collection: Structure
- Model: Sequence
- Species: Solid White Oak with White Oak Veneer
- Finish: 2% Milk

Also available in Walnut and other unique Finishes.

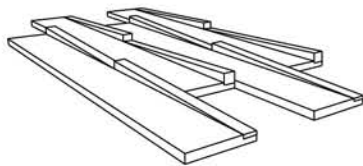
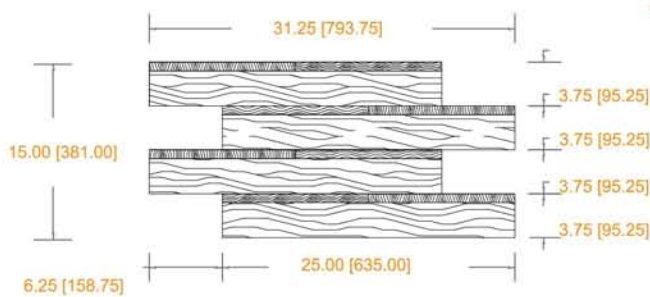
Läncko® Wall Systems

Structure Collection

WWW.LANCKO.COM | 1 888 4LANCKO (452 6256) | FAX 858 225-0277 | SALES@LANCKO.COM

LÄNCKO®

THE WALLS YOU'VE BEEN WAITING FOR



GENERAL SPECS

Tile Size: 15" x 31 1/4" [381 x 793.75 mm]
Aprox. Weight: 4.30 Lbs per Tile,
 28 Lbs per Package [Incl. Box]
Thickness: 15/16" [24 mm]
Coverage: 3.07 sq ft. [0.28 m²] Per Tile,
 18.44 sq ft. [1.71 m²] Per Box
 6 Tiles per Box

* Accessories Available: Easy Starters, Electrical Outlet Trims, Window Trims, Corner Trims, Custom Baseboard and Crown.



TILE SPECS

- ▶ **Collection:** Structure
- ▶ **Model:** Sequence
- ▶ **Species:** Solid White Oak with White Oak Veneer
- ▶ **Finish:** Champagne Bath

* Also available in Walnut and other unique Finishes.

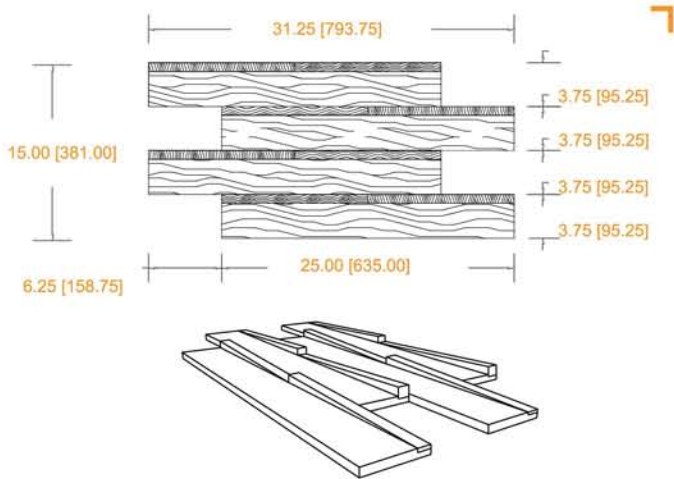
Läncko® Wall Systems — Structure Collection

▶ WWW.LANCKO.COM ▶ 1 888 4LANCKO (452 6256) ▶ FAX 858 225-0277 ▶ SALES@LANCKO.COM

The Läncko Wall System brings out a Contemporary and Warm aesthetic to any space. Our products are made from Recycled and/or Reclaimed wood, a completely Natural product that shows variations in color, stain, wood grain, and appearance. Colors and products are displayed as accurately as possible; the wall tiles as shown in our brochures, catalogs, spec sheets and on our website are never identical to each other or to products shipped. Color, texture, character, hewn and appearance variation is not covered by our warranty. The uniqueness and variation between tiles is the product's signature, personality and trait; these are completely normal. Please check products before installation, Lancko Group Inc. is not responsible for any installation fees. Returns will incur a re-stocking fee.

LÄNCKO®

THE WALLS YOU'VE BEEN WAITING FOR



GENERAL SPECS

Tile Size:	15" x 31 1/4" [381 x 793.75 mm]
Aprox. Weight:	4.30 Lbs per Tile, 28 Lbs per Package [Incl. Box]
Thickness:	15/16" [24 mm]
Coverage:	3.07 sq ft. [0.28 m ²] Per Tile, 18.44 sq ft. [1.71 m ²] Per Box 6 Tiles per Box

*Accessories Available: Easy Starters, Electrical Outlet Trims, Window Trims, Corner Trims, Custom Baseboard and Crown.



TILE SPECS

- Collection: Structure
- Model: Sequence
- Species: Solid White Oak with White Oak Veneer
- Finish: Burnt Sepia

*Also available in Walnut and other unique Finishes.

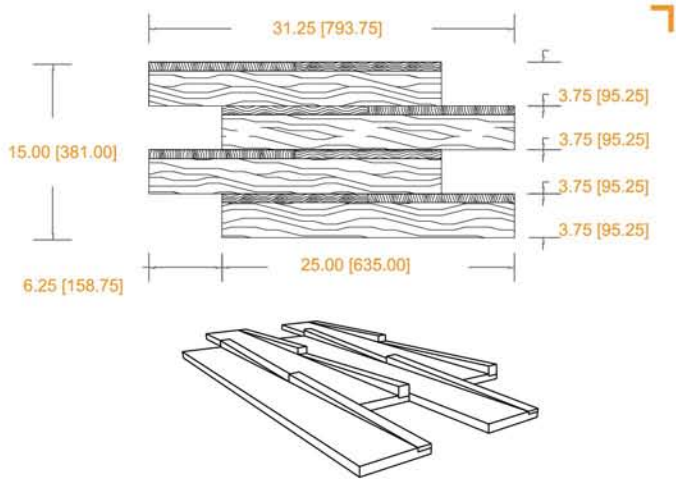
Läncko® Wall Systems

Structure Collection

▶ WWW.LANCKO.COM ▶ 1 888 4LANCKO (452 6256) ▶ FAX 858 225-0277 ▶ SALES@LANCKO.COM

LÄNCKO®

THE WALLS YOU'VE BEEN WAITING FOR



GENERAL SPECS

Tile Size: 15" x 31 1/4" [381 x 793.75 mm]
Aprox. Weight: 4.30 Lbs per Tile,
 28 Lbs per Package [Incl. Box]
Thickness: 15/16" [24 mm]
Coverage: 3.07 sq ft. [0.28 m²] Per Tile,
 18.44 sq ft. [1.71 m²] Per Box
 6 Tiles per Box

*Accessories Available: Easy Starters, Electrical Outlet Trims, Window Trims, Corner Trims, Custom Baseboard and Crown.



TILE SPECS

- ▶ **Collection:** Structure
- ▶ **Model:** Sequence
- ▶ **Species:** Solid White Oak with White Oak Veneer
- ▶ **Finish:** Chocolate Fondue

*Also available in Walnut and other unique Finishes.

Läncko® Wall Systems

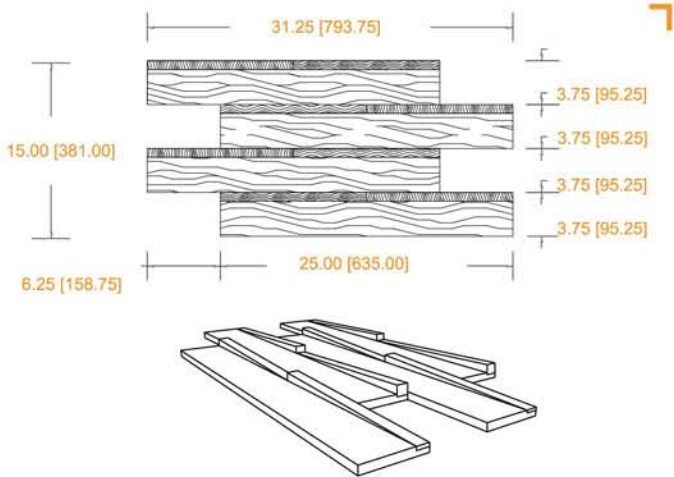
Structure Collection

▶ WWW.LANCKO.COM ▶ 1 888 4LANCKO (452 6256) ▶ FAX 858 225-0277 ▶ SALES@LANCKO.COM

The Läncko Wall System brings out a Contemporary and Warm aesthetic to any space. Our products are made from Recycled and/or Reclaimed wood, a completely Natural product that shows variations in color, stain, wood grain, and appearance. Colors and products are displayed as accurately as possible; the wall tiles as shown in our brochures, catalogs, spec sheets and on our website are never identical to each other or to products shipped. Color, texture, character, hewn and appearance variation is not covered by our warranty. The uniqueness and variation between tiles is the product's signature, personality and trait; these are completely normal. Please check products before installation, Lancko Group Inc. is not responsible for any installation fees. Returns will incur a re-stocking fee.

LÄNCKO®

THE WALLS YOU'VE BEEN WAITING FOR



GENERAL SPECS

Tile Size:	15" x 31 ¹ / ₄ " [381 x 793.75 mm]
Aprox. Weight:	4.30 Lbs per Tile, 28 Lbs per Package [Incl. Box]
Thickness:	15/16" [24 mm]
Coverage:	3.07 sq ft. [0.28 m ²] Per Tile, 18.44 sq ft. [1.71 m ²] Per Box 6 Tiles per Box

Accessories Available: Easy Starters, Electrical Outlet Trims, Window Trims, Corner Trims, Custom Baseboard and Crown.



TILE SPECS

- › Collection: Structure
- › Model: Sequence
- › Species: Solid White Oak with
White Oak Veneer
- › Finish: Aged Wash

*Also available in Walnut and other unique Finishes.

Läncko® Wall Systems

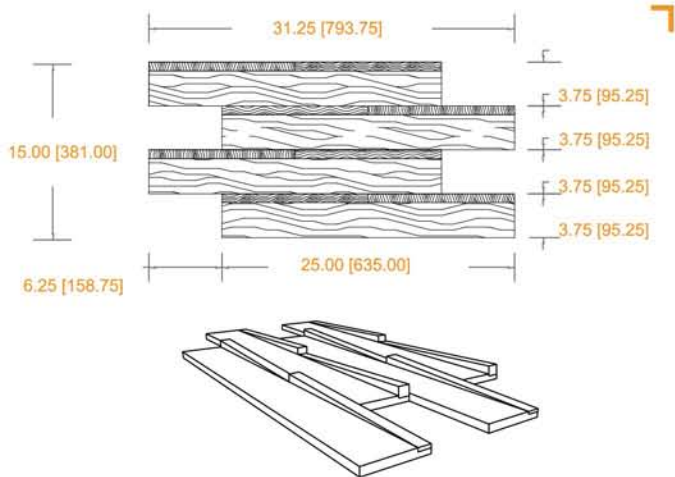
Structure Collection

› WWW.LANCKO.COM › 1 888 4LANCKO (452 6256) › FAX 858 225-0277 › SALES@LANCKO.COM

The Läncko Wall System brings out a Contemporary and Warm aesthetic to any space. Our products are made from Recycled and/or Reclaimed wood, a completely Natural product that shows variations in color, stain, wood grain, and appearance. Colors and products are displayed as accurately as possible; the wall tiles as shown in our brochures, catalogs, spec sheets and on our website are never identical to each other or to products shipped. Color, texture, character, hewn and appearance variation is not covered by our warranty. The uniqueness and variation between tiles is the product's signature, personality and trait; these are completely normal. Please check products before installation, Lancko Group Inc. is not responsible for any installation fees. Returns will incur a re-stocking fee.

LÄNCKO®

THE WALLS YOU'VE BEEN WAITING FOR



GENERAL SPECS

Tile Size: 15" x 31¹/₄" [381 x 793.75 mm]
Aprox. Weight: 4.30 Lbs per Tile,
28 Lbs per Package [Incl. Box]
Thickness: 15/16" [24 mm]
Coverage: 3.07 sq ft. [0.28 m²] Per Tile,
18.44 sq ft. [1.71 m²] Per Box
6 Tiles per Box

*Accessories Available: Easy Starters, Electrical Outlet Trims,
Window Trims, Corner Trims, Custom Baseboard and Crown.



TILE SPECS

- › Collection: Structure
- › Model: Sequence
- › Species: Solid White Oak with
White Oak Veneer
- › Finish: Thunderstorm

*Also available in Walnut and other unique Finishes.

Läncko® Wall Systems

Structure Collection

› WWW.LANCKO.COM › 1 888 4LANCKO (452 6256) › FAX 858 225-0277 › SALES@LANCKO.COM



LÄNCKO®

Lancko Group Inc.
7964 Arjons Dr. Ste F
San Diego, CA 92126-4392

US Toll Free: 1 (888) 452.6256
US Phone: 1 (858) 279.6256
US Fax: 1 (858) 225.0277

E-mail: Sales@lancko.com

WWW.LANCKO.COM

© 2012 Lancko

[Distributor]

**Läncko® Wall
Systems**