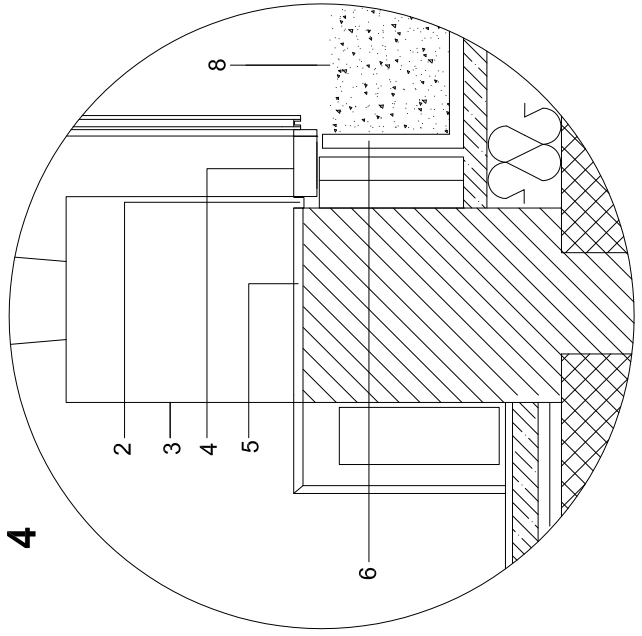


**1**

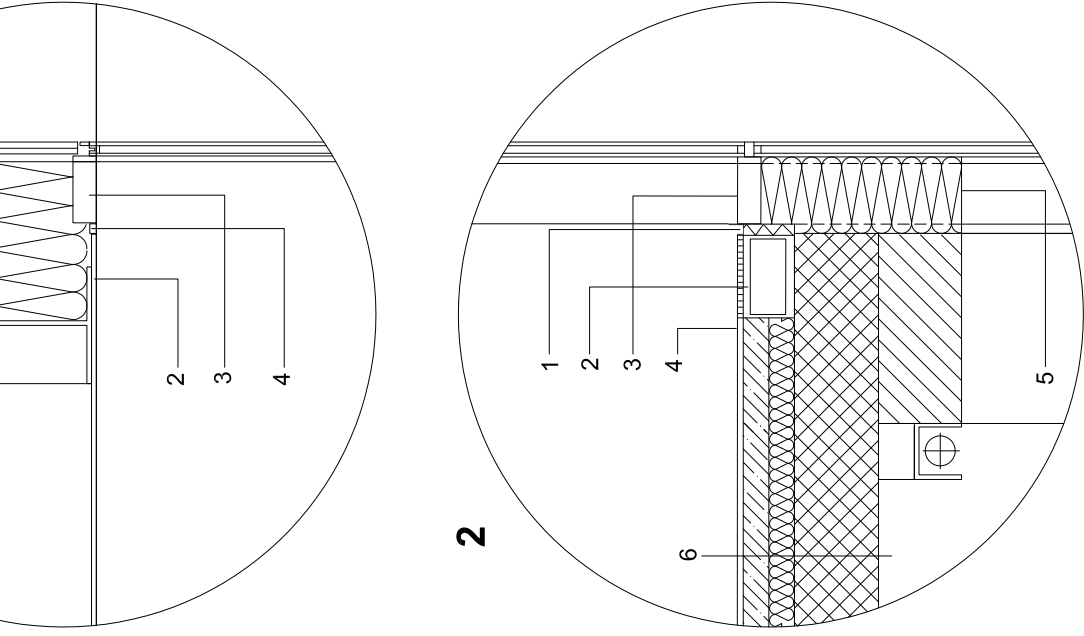
- 1 TERRACE FLOOR COVERING-TEAK 2.5+2.5CM
- 2 PLASTERBOARD
- 3 GRAPHITE COLOR PROFILE
- 4 ALUMINIUM SPACER



**4**

**4**

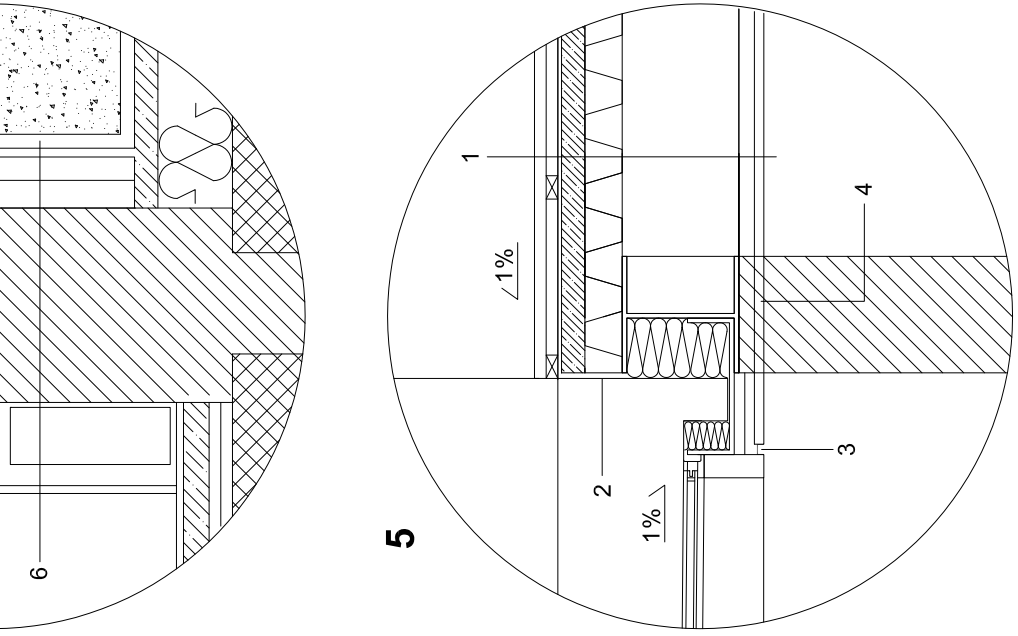
- 1 ALUMINIUM SPACER
- 2 PLASTER
- 3 GRAPHITE COLOR MASK
- 4 TIMBER FINISH, OAK
- 5 SHEET SINK, GRAPHITE COLOR
- 6 CONVECTOR H=30 CM



**2**

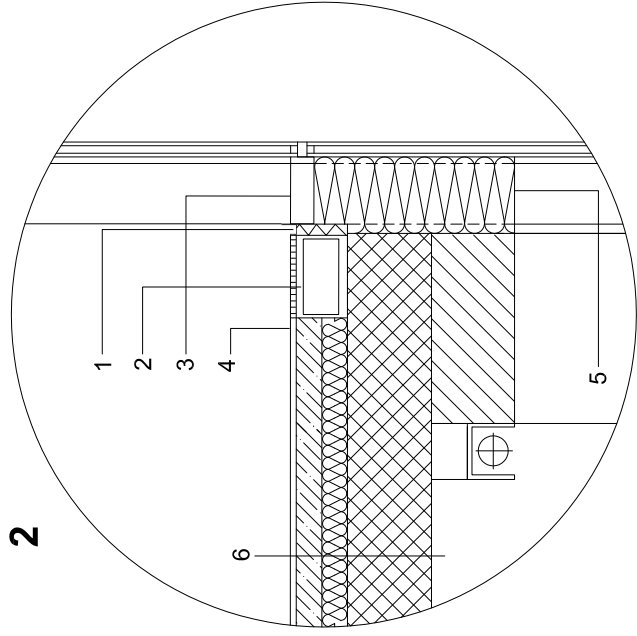
**2**

- 1 ALUMINIUM SPACER
- 2 CONVECTOR
- 3 GRAPHITE COLOR PROFILE
- 4 PARQUET, OAK
- 5 GRAPHITE COLOR PROFILE
- 6 FLOOR CONSTRUCTION:  
PARQUET 1.5 CM  
CEMENT SCREED 5.5 CM  
SEPARATING LAYER-PE FOIL  
THERMAL INSULATION 5.5 CM  
CONCRETE 18 CM  
PLASTER 0.5 CM



**5**

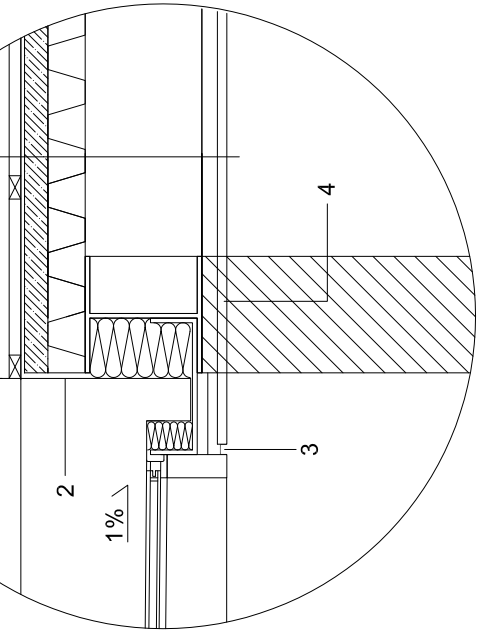
- 1 FLOOR CONSTRUCTION:  
TERRACE FLOOR COVERING-TEAK 2.5+2.5CM  
HIDROINSULATION 2X  
HIBOND SLAB  
FOIL  
STEEL BEAM  
TERMOINSULATION  
UNDERCONSTRUCTION  
PLASTERBOARD
- 2 ALUMINIUM SHEET, GRAPHIC COLOR 2 MM
- 3 ALUMINIUM SPACER
- 4 PLASTERBOARD



**3**

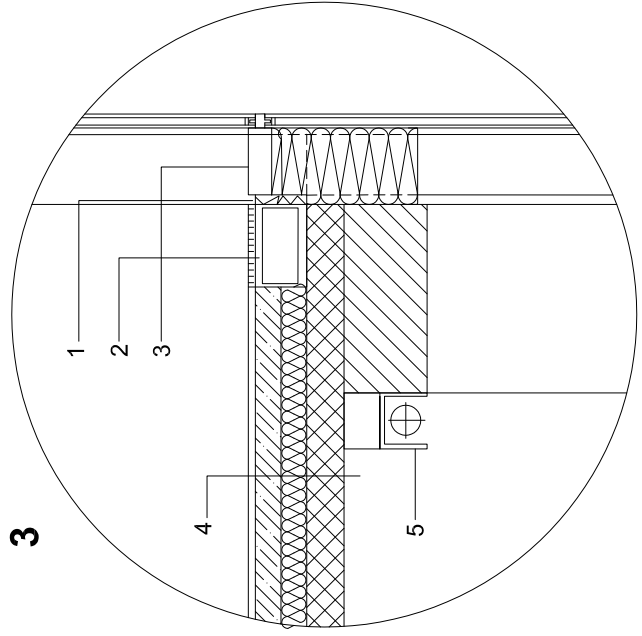
**3**

- 1 ALUMINIUM SPACER
- 2 CONVECTOR
- 3 GRAPHITE COLOR PROFILE
- 4 FLOOR CONSTRUCTION:  
PARQUET 1.5 CM  
CEMENT SCREED 5.5 CM  
SEPARATING LAYER-PE FOIL  
THERMAL INSULATION 5.5 CM  
CONCRETE 8 CM  
PLASTER 0.5 CM
- 5 FABRIC SUNBLIND



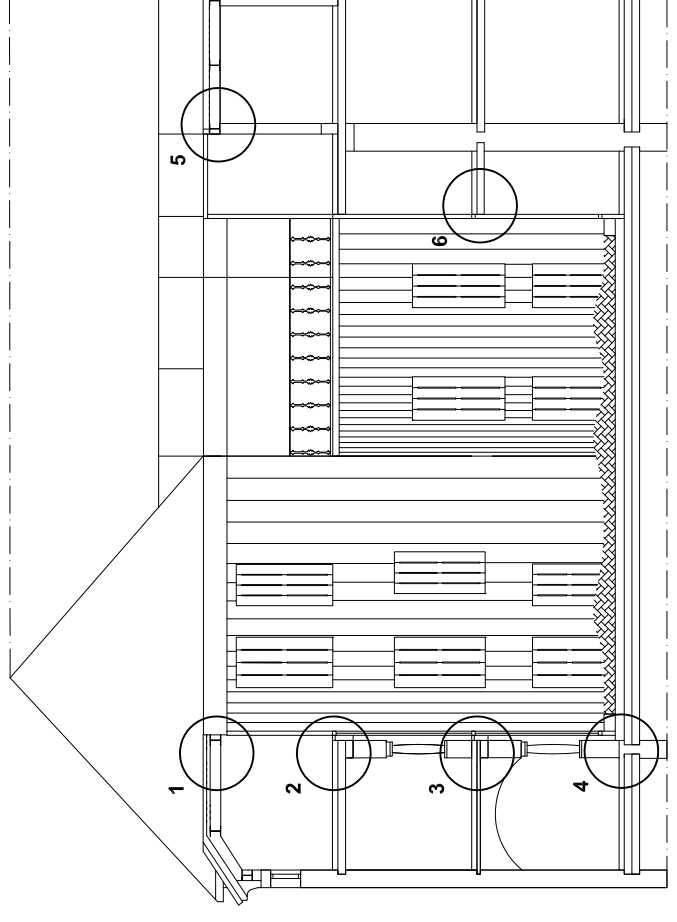
**6**

- 1 FLOOR CONSTRUCTION  
PARQUET 1.5 CM  
CEMENT SCREED 5.5 CM  
SEPARATING LAYER-PE FOIL  
THERMAL INSULATION 5.5 CM  
CONCRETE 18 CM  
PLASTER 0.5 CM
- 2 GRAPHITE COLOR MASK



**3**

**6**



0 0.5 1 m