

CONTRACT  
RATHEN LODGE, FRASEBURGH  
FOR MR. & MRS. JACK

ENTRANCE STEPS - CURVED

MARK	QUANTITY	LENGTH mm	WIDTH mm	THK. mm	WEIGHT kg.	Total M <sup>2</sup>
ST4	1	687	319	150	89	0.22

CONTRACT NO. GR5925 DRAWING REF.

GR5925

MATERIAL TYPE/FINISH

SILVER GREY GRANITE (FINE PICKED)

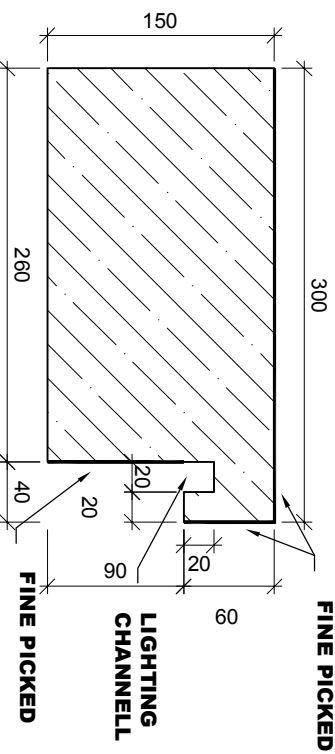
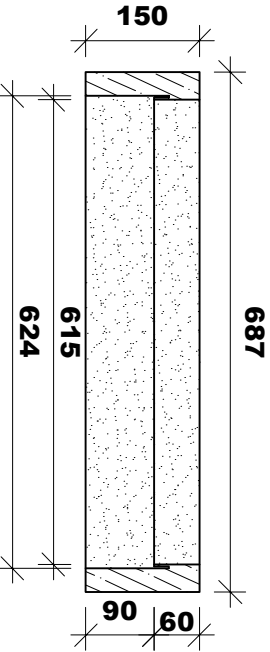
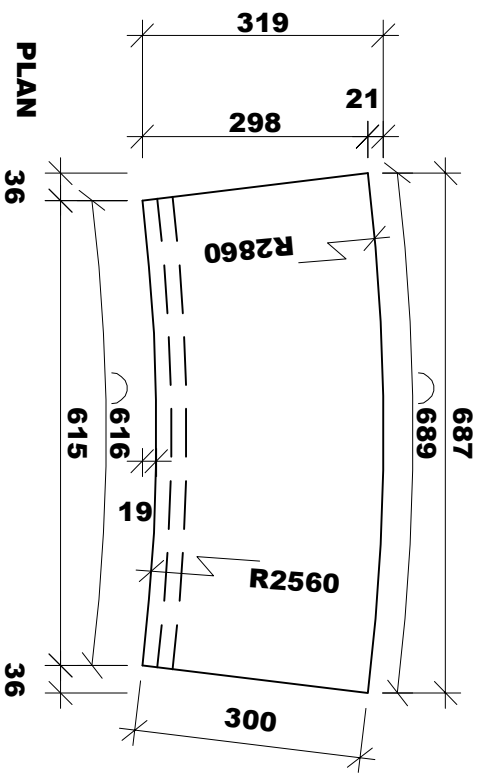
DESCRIPTION / DETAILS

SHEET NO.	REV.
03	

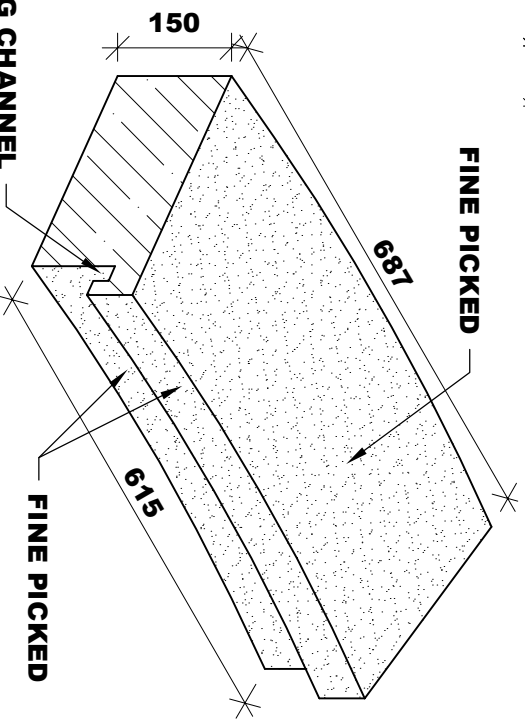
PREPARED BY	DATE
GD	20/06/2016

CHECKED BY	DATE

**FINE PICKED FINISH TO TOP AND FRONT (INTERNAL) FACE AS SHOWN,  
ALL OTHER SURFACES ARE TO BE SAWN.**



SECTION SCALE 1:5



SCALE 1:10