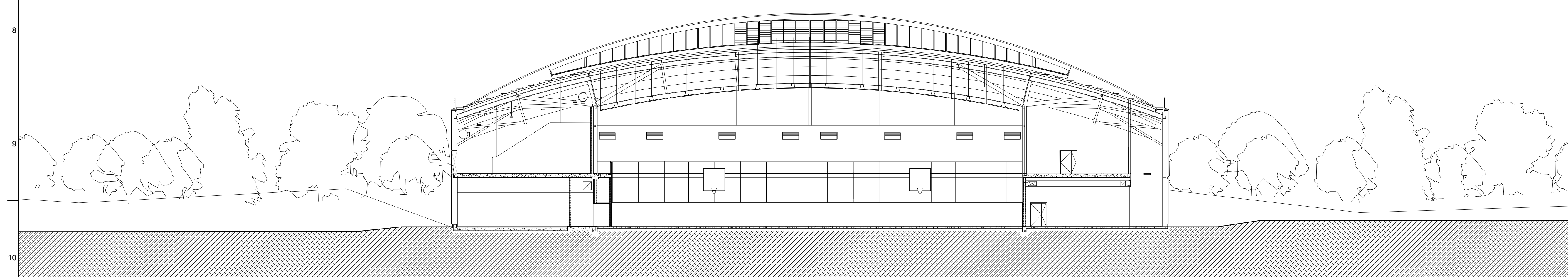


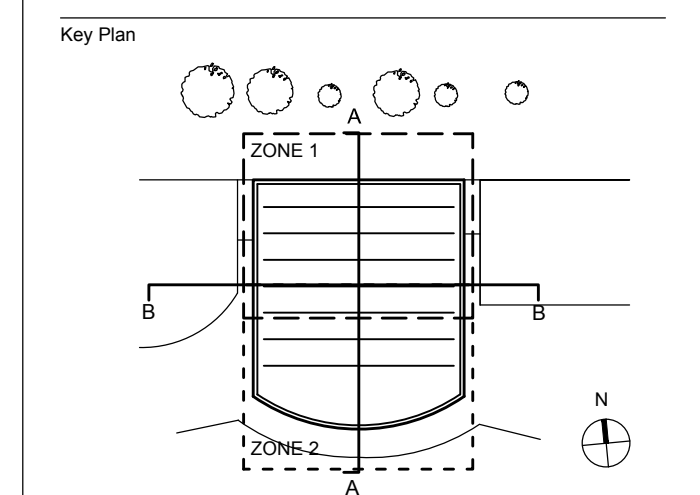
SECTION A-A



SECTION B-B

Issue	Date

ARUP ASSOCIATES
 8 Fitzroy Street, London, W1T 4BJ United Kingdom
 T +44 20 7755 2525
 www.arupassociates.com



Client
UNIVERSITY OF CAMBRIDGE
 BUILDING AND ESTATES DEPARTMENT

Job Title
 University of Cambridge
 Sports Centre
 Phase 1

Drawing Title
 General Arrangement
 Sections (N-S & E-W)

Scale at A1 1:200
 Discipline Architecture
 Job No 216638-00 Drawing Status Publicity
 Drawing No W-30-601 Issue