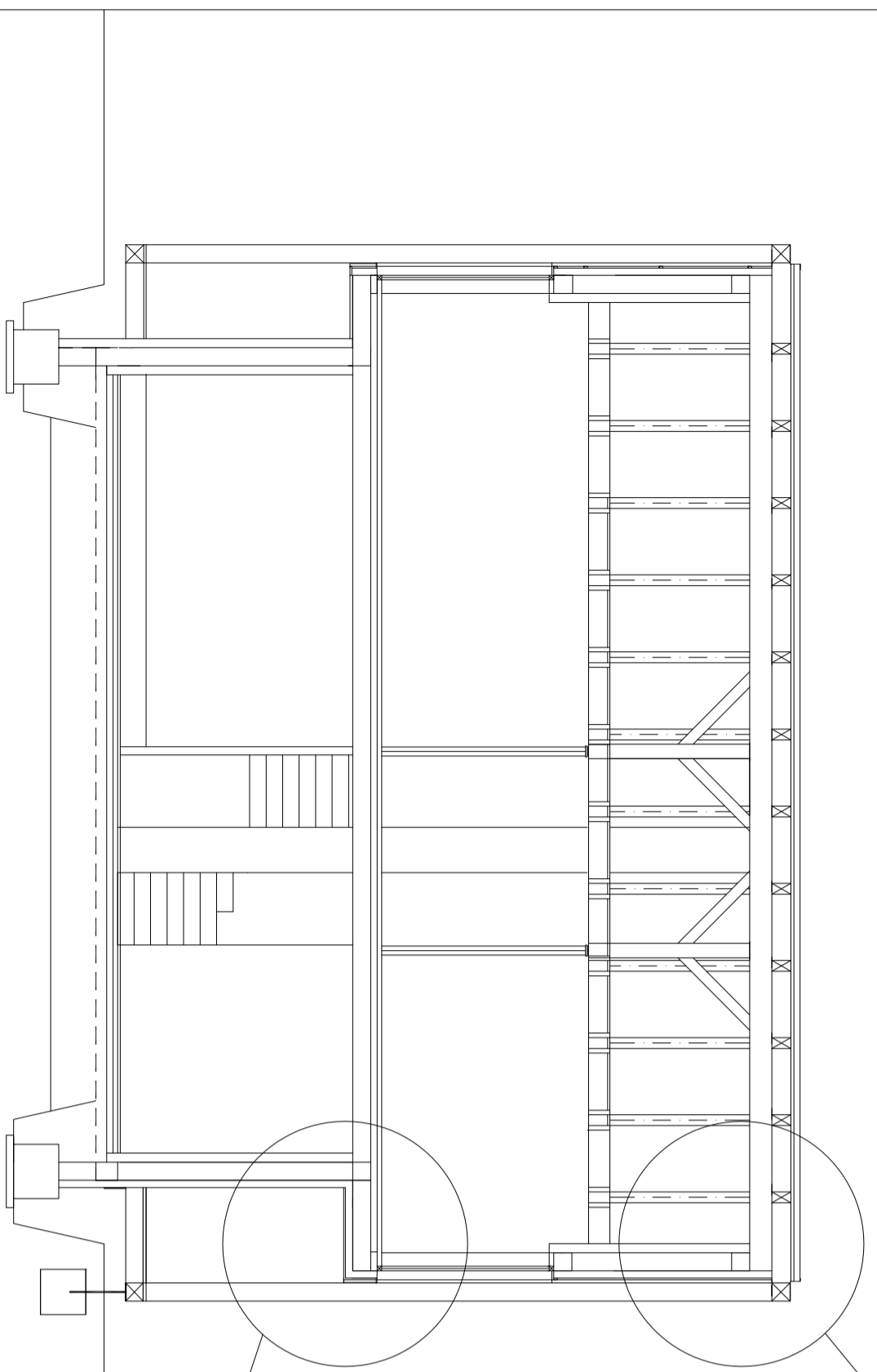
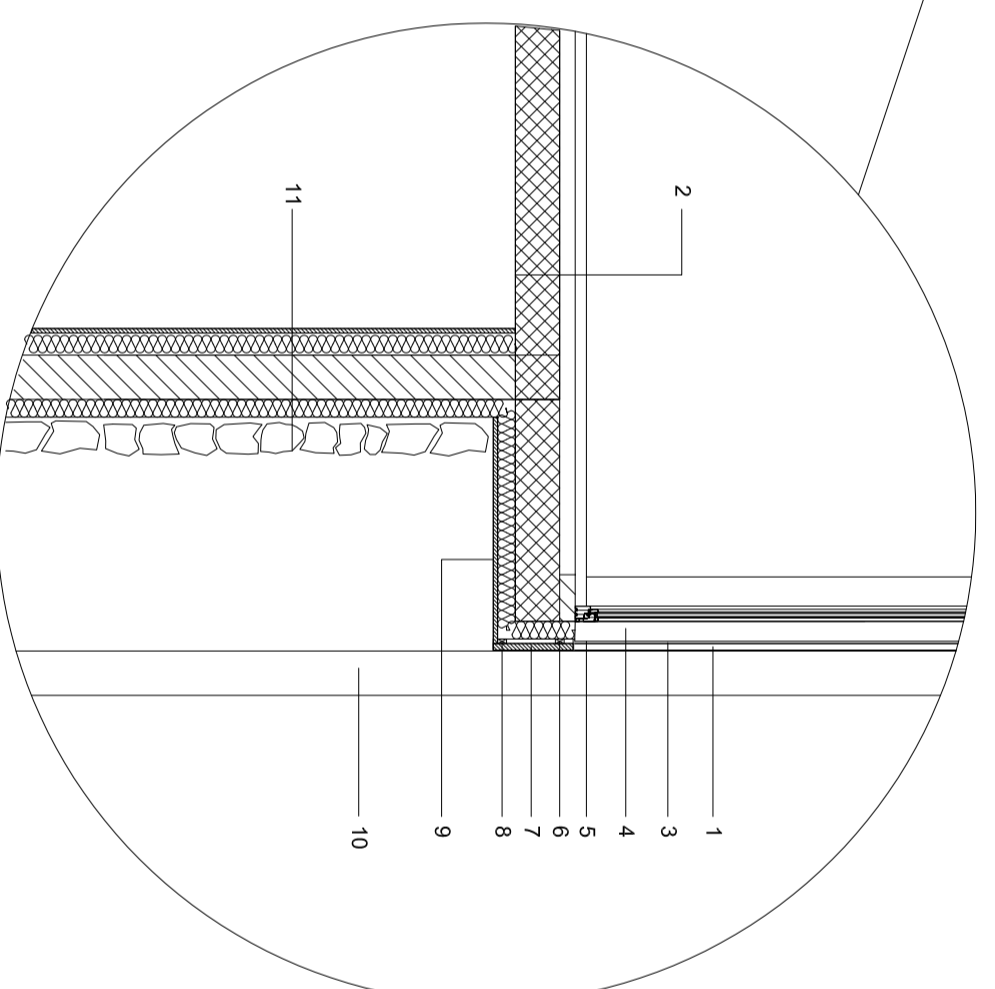


- 1 -rafter 12/16 cm 16.0 cm
- 2 -ridge 20/24 cm 24.0 cm
- 3 -alu sheet 0.03 cm
- 4 -wooden beam with water drainage 20/20 20.0 cm
- 5 -AB bond
- 6 -larch 4/3 cm 3.0 cm



- 1 -larch 4/3 cm 3.0 cm
- 2 A1
  - covering - eternit tiles 1.5 cm
  - cross-strip 5/4 cm 4.0 cm
  - ventilation-layer - longitudinal strip 7/5 cm 3.0 cm
  - rainproof foil/yvec (tyvec folija dry) 0.05 cm 5.0 cm
  - wooden panels 2.5 cm 16.0 cm
  - timber beam 12/16 cm 4.0 cm
  - thermal insulation 4.0 cm
  - plasterboard 1.0 cm
- 3 -spacing 1.0 cm
- 4 window-wooden mask 9/2 cm 2.0 cm
- 5 -alu-sheet 0.3 cm
- 6 -timber construction 2/4 cm 2.0 cm
- 7 -larch 4/3 cm 3.0 cm
- 8 -timber construction 2/4 cm 2.0 cm
- 9 -larch 2.0 cm
- 10 -larch column with drainage 20/20 cm 20.0 cm



- 11 B2 outer wall
  - internal wooden cladding 2.0 cm 2.0 cm
  - thermal insulation 4.0 cm 20.0 cm
  - clay bricks 10.0 cm 10.0 cm
  - external thermal insulation 5-10.0 cm 5-10.0 cm
- 10 -larch column with drainage 20/20 cm 20.0 cm
- 9 -larch 2.0 cm
- 8 -timber construction 2/4 cm 2.0 cm
- 7 -larch 4/3 cm 3.0 cm
- 6 -timber construction 2/4 cm 2.0 cm
- 5 -alu-sheet 0.3 cm
- 4 window-wooden mask 9/2 cm 2.0 cm
- 3 -spacing 1.0 cm
- 2 -larch 4/3 cm 3.0 cm
- 1 -rafter 12/16 cm 16.0 cm

0 1 m