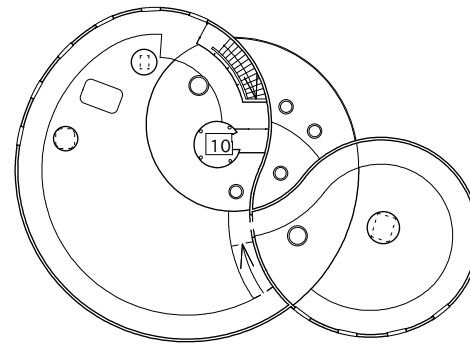


2F Plan S=1/400



RF Plan S=1/400

- 1. Entrance
- 2. Hall
- 3. Piloti
- 4. Centre control room
- 5. Exhibition room
- 6. Disaster learning room
- 7. Men's lavatory
- 8. Ladies' Lavatory
- 9. Machinery room
- 10. EV