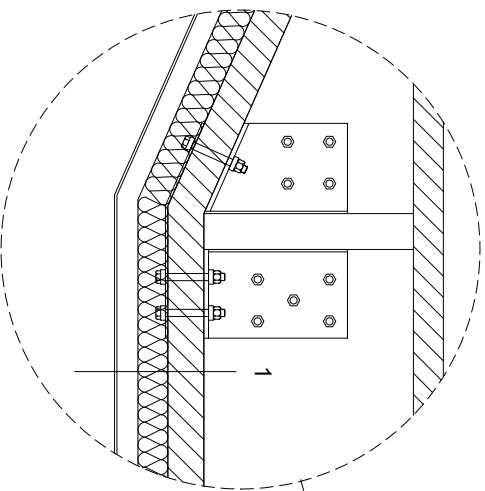
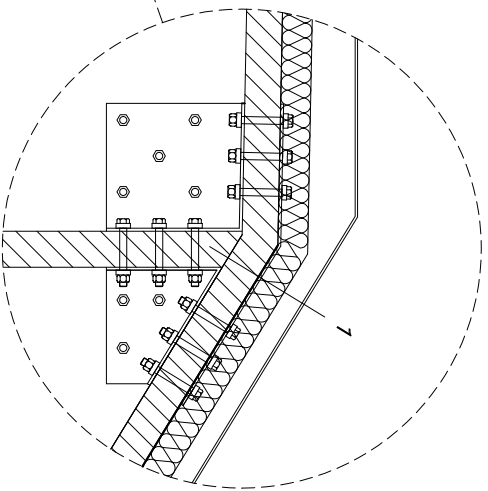


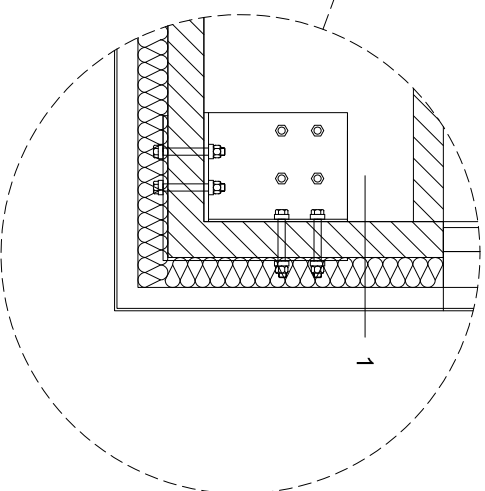
DETAIL A:
JOINT BETWEEN EXTERNAL WALL & ROOF



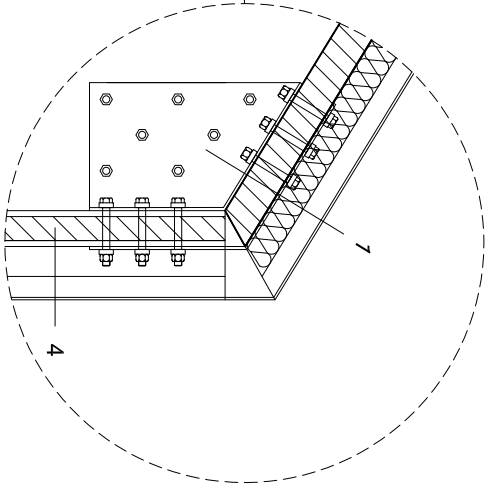
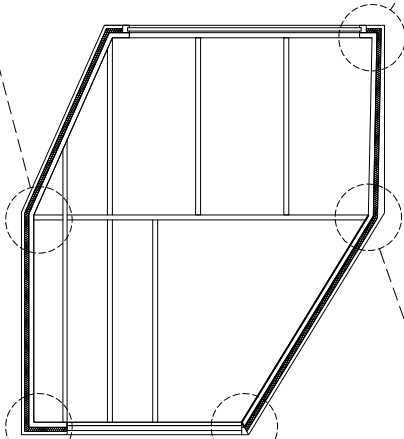
DETAIL D:
FIXING OF EXTERNAL WALL WITH FOUNDATIONS



DETAIL B:
JOINT BETWEEN EXTERNAL WALL & ROOF



DETAIL E:
FIXING OF CORNER WITH FOUNDATIONS



DETAIL C:
JOINT BETWEEN EXTERNAL WALL & ROOF

- 1 WALL CONSTRUCTION - ALLI**
- SUB-STRUCTURE (air gap)
 - 2 x 4 MM HYDRO INSULATION FOIL
 - 50 MM THERMAL INSULATION
 - CROSS LAMINATED TIMBER PANEL 6 cm

- 2 WINDOW FRAME**
- 3 TRIPLE GLAZED STRUCTURAL GLASS WINDOW
 - 4 DOOR
 - 5 STEEL PLATE
 - 6 SCREW

