



**MALLAH DESIGN
STUDIO**
Interior Design

RESTURANT
KHUBZA & FAKHARA

Emil : Ft.mallah@gmail.com

TUR: +90 534 702 1017

P.O.Box 23554-Zip Code 4214

23/11/2022



**MALLAH DESIGN
STUDIO**
ARCHITECTURE
&
INTERIOR DESIGN

MALLAH DESIGN STUDIO
ARCHITECTURE & INTERIOR DESIGN

| DESIGNER: | CLIENT: | DRAWING TITLE: | NOTE: | DATE: | PAGE NO: |
|---|----------------|----------------|---|-------|----------|
| MALLAH DESIGN STUDIO SAUDI ARABIA -ALKHOUBAR TEL:+966 54 300 0639 / +966 59 800 0874 EMAIL:FT.MALLAH@GMAIL.COM | SHISH & KHEBZA | render | 1) Any dimensions given are in Centimeter unless stated otherwise. 2) Do not scale from drawings, All dimension should be checked and clarified on site before proceeding with construction. 3) Mallah design studio should be informed immediately in writing of any changes that happen on the project. | | |




**MALLAH DESIGN
STUDIO**
 ARCHITECTURE
&
 INTERIOR DESIGN


 MALLAH DESIGN STUDIO
 ARCHITECTURE & INTERIOR DESIGN

| DESIGNER: | CLIENT: | DRAWING TITLE: | NOTE: | DATE: | PAGE NO: |
|---|---------------------------|----------------|---|-------|----------|
| MALLAH DESIGN STUDIO SAUDI ARABIA -ALKHOUBAR TEL:+966 54 300 0639 / +966 59 800 0874 EMAIL:FT.MALLAH@GMAIL.COM | SHISH & KHEBZA | render | 1) Any dimensions given are in Centimeter unless stated otherwise. 2) Do not scale from drawings, All dimension should be checked and clarified on site before proceeding with construction. 3) Mallah design studio should be informed immediately in writing of any changes that happen on the project. | | |



**MALLAH DESIGN
STUDIO**
ARCHITECTURE
&
INTERIOR DESIGN


MALLAH DESIGN STUDIO
ARCHITECTURE & INTERIOR DESIGN

| DESIGNER: | CLIENT: | DRAWING TITLE: | NOTE: | DATE: | PAGE NO: |
|---|----------------|----------------|---|-------|----------|
| MALLAH DESIGN STUDIO SAUDI ARABIA -ALKHOUBAR TEL:+966 54 300 0639 / +966 59 800 0874 EMAIL:FT.MALLAH@GMAIL.COM | SHISH & KHEBZA | render | 1) Any dimensions given are in Centimeter unless stated otherwise. 2) Do not scale from drawings, All dimension should be checked and clarified on site before proceeding with construction. 3) Mallah design studio should be informed immediately in writing of any changes that happen on the project. | | |




**MALLAH DESIGN
STUDIO**
 ARCHITECTURE
&
 INTERIOR DESIGN


 MALLAH DESIGN STUDIO
 ARCHITECTURE & INTERIOR DESIGN

| DESIGNER: | CLIENT: | DRAWING TITLE: | NOTE: | DATE: | PAGE NO: |
|---|---------------------------|----------------|---|-------|----------|
| MALLAH DESIGN STUDIO SAUDI ARABIA -ALKHOUBAR TEL:+966 54 300 0639 / +966 59 800 0874 EMAIL:FT.MALLAH@GMAIL.COM | SHISH & KHEBZA | render | 1) Any dimensions given are in Centimeter unless stated otherwise. 2) Do not scale from drawings, All dimension should be checked and clarified on site before proceeding with construction. 3) Mallah design studio should be informed immediately in writing of any changes that happen on the project. | | |



MALLAH DESIGN
STUDIO
ARCHITECTURE
&
INTERIOR DESIGN



DESIGNER:
MALLAH DESIGN STUDIO
SAUDI ARABIA - ALKHOUBAR
TEL: +966 54 300 0639 / +966 59 800 0874
EMAIL: FT.MALLAH@GMAIL.COM

CLIENT:
SHISH & KHEBZA

DRAWING TITLE:
render

NOTE:
1) Any dimensions given are in Centimeter unless stated otherwise.
2) Do not scale from drawings, All dimension should be checked and clarified on site before proceeding with construction.
3) Mallah design studio should be informed immediately in writing of any changes that happen on the project.

DATE:
PAGE NO:




**MALLAH DESIGN
STUDIO**
 ARCHITECTURE
&
 INTERIOR DESIGN


 MALLAH DESIGN STUDIO
 ARCHITECTURE & INTERIOR DESIGN

| DESIGNER: | CLIENT: | DRAWING TITLE: | NOTE: | DATE: | PAGE NO: |
|---|---------------------------|----------------|---|-------|----------|
| MALLAH DESIGN STUDIO SAUDI ARABIA -ALKHOUBAR TEL:+966 54 300 0639 / +966 59 800 0874 EMAIL:FT.MALLAH@GMAIL.COM | SHISH & KHEBZA | render | 1) Any dimensions given are in Centimeter unless stated otherwise. 2) Do not scale from drawings, All dimension should be checked and clarified on site before proceeding with construction. 3) Mallah design studio should be informed immediately in writing of any changes that happen on the project. | | |




**MALLAH DESIGN
STUDIO**
 ARCHITECTURE
&
INTERIOR DESIGN


 MALLAH DESIGN STUDIO
 ARCHITECTURE & INTERIOR DESIGN

| DESIGNER: | CLIENT: | DRAWING TITLE: | NOTE: | DATE: | PAGE NO: |
|--|---------------------------|----------------|---|-------|----------|
| MALLAH DESIGN STUDIO SAUDI ARABIA - ALKHOUBAR TEL: +966 54 300 0639 / +966 59 800 0874 EMAIL: FT.MALLAH@GMAIL.COM | SHISH & KHEBZA | render | 1) Any dimensions given are in Centimeter unless stated otherwise. 2) Do not scale from drawings, All dimension should be checked and clarified on site before proceeding with construction. 3) Mallah design studio should be informed immediately in writing of any changes that happen on the project. | | |



**MALLAH DESIGN
STUDIO**
ARCHITECTURE
&
INTERIOR DESIGN

MALLAH DESIGN STUDIO
ARCHITECTURE & INTERIOR DESIGN

DESIGNER:

MALLAH DESIGN STUDIO
SAUDI ARABIA - ALKHOUBAR
TEL: +966 54 300 0639 / +966 59 800 0874
EMAIL: FT.MALLAH@GMAIL.COM

CLIENT:

SHISH & KHEBZA

DRAWING TITLE:

render

NOTE:

- 1) Any dimensions given are in Centimeter unless stated otherwise.
- 2) Do not scale from drawings, All dimension should be checked and clarified on site before proceeding with construction.
- 3) Mallah design studio should be informed immediately in writing of any changes that happen on the project.

DATE:

PAGE NO:



| | | | | | |
|---|----------------------------------|---------------------------------|---|--------------|-----------------|
| DESIGNER: MALLAH DESIGN STUDIO SAUDI ARABIA -ALKHOUBAR TEL:+966 54 300 0639 / +966 59 800 0874 EMAIL:FT.MALLAH@GMAIL.COM | CLIENT: SHISH & KHEBZA | DRAWING TITLE: render | NOTE: 1) Any dimensions given are in Centimeter unless stated otherwise. 2) Do not scale from drawings, All dimension should be checked and clarified on site before proceeding with construction. 3) Mallah design studio should be informed immediately in writing of any changes that happen on the project. | DATE: | PAGE NO: |
|---|----------------------------------|---------------------------------|---|--------------|-----------------|









DESIGNER:
MALLAH DESIGN STUDIO
SAUDI ARABIA -ALKHOUBAR
TEL:+966 54 300 0639 / +966 59 800 0874
EMAIL:FT.MALLAH@GMAIL.COM


CLIENT:
SHISH & KHEBZA

DRAWING TITLE:
render

NOTE:
1) Any dimensions given are in Centimeter unless stated otherwise.
2) Do not scale from drawings, All dimension should be checked and clarified on site before proceeding with construction.
3) Mallah design studio should be informed immediately in writing of any changes that happen on the project.

DATE:
PAGE NO:



| | | | | | | |
|--|---|--|---|--|--------------|-----------------|
|  <p>MALLAH DESIGN STUDIO ARCHITECTURE & INTERIOR DESIGN</p> | <p>DESIGNER: MALLAH DESIGN STUDIO SAUDI ARABIA -ALKHOUBAR TEL:+966 54 300 0639 / +966 59 800 0874 EMAIL:FT.MALLAH@GMAIL.COM</p> | <p>CLIENT: SHISH & KHEBZA</p> | <p>DRAWING TITLE: render</p> | <p>NOTE: 1) Any dimensions given are in Centimeter unless stated otherwise. 2) Do not scale from drawings, All dimension should be checked and clarified on site before proceeding with construction. 3) Mallah design studio should be informed immediately in writing of any changes that happen on the project.</p> | <p>DATE:</p> | <p>PAGE NO:</p> |
|--|---|--|---|--|--------------|-----------------|



DESIGNER:
MALLAH DESIGN STUDIO
SAUDI ARABIA -ALKHOUBAR
TEL:+966 54 300 0639 / +966 59 800 0874
EMAIL:FT.MALLAH@GMAIL.COM

CLIENT:
SHISH & KHEBZA

DRAWING TITLE:
render

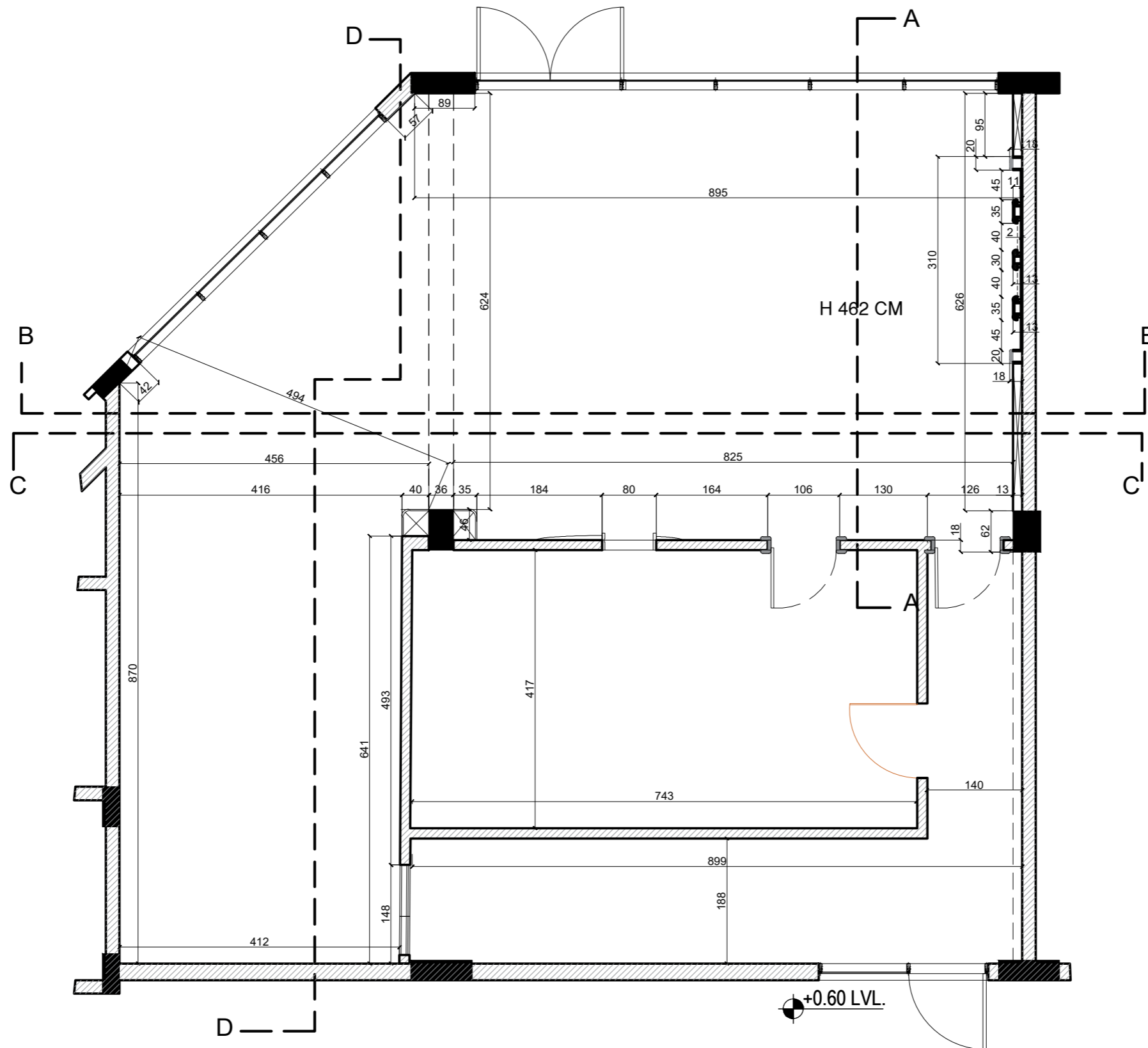
NOTE:
1) Any dimensions given are in Centimeter unless stated otherwise.
2) Do not scale from drawings, All dimension should be checked and clarified on site before proceeding with construction.
3) Mallah design studio should be informed immediately in writing of any changes that happen on the project.

DATE:
PAGE NO:









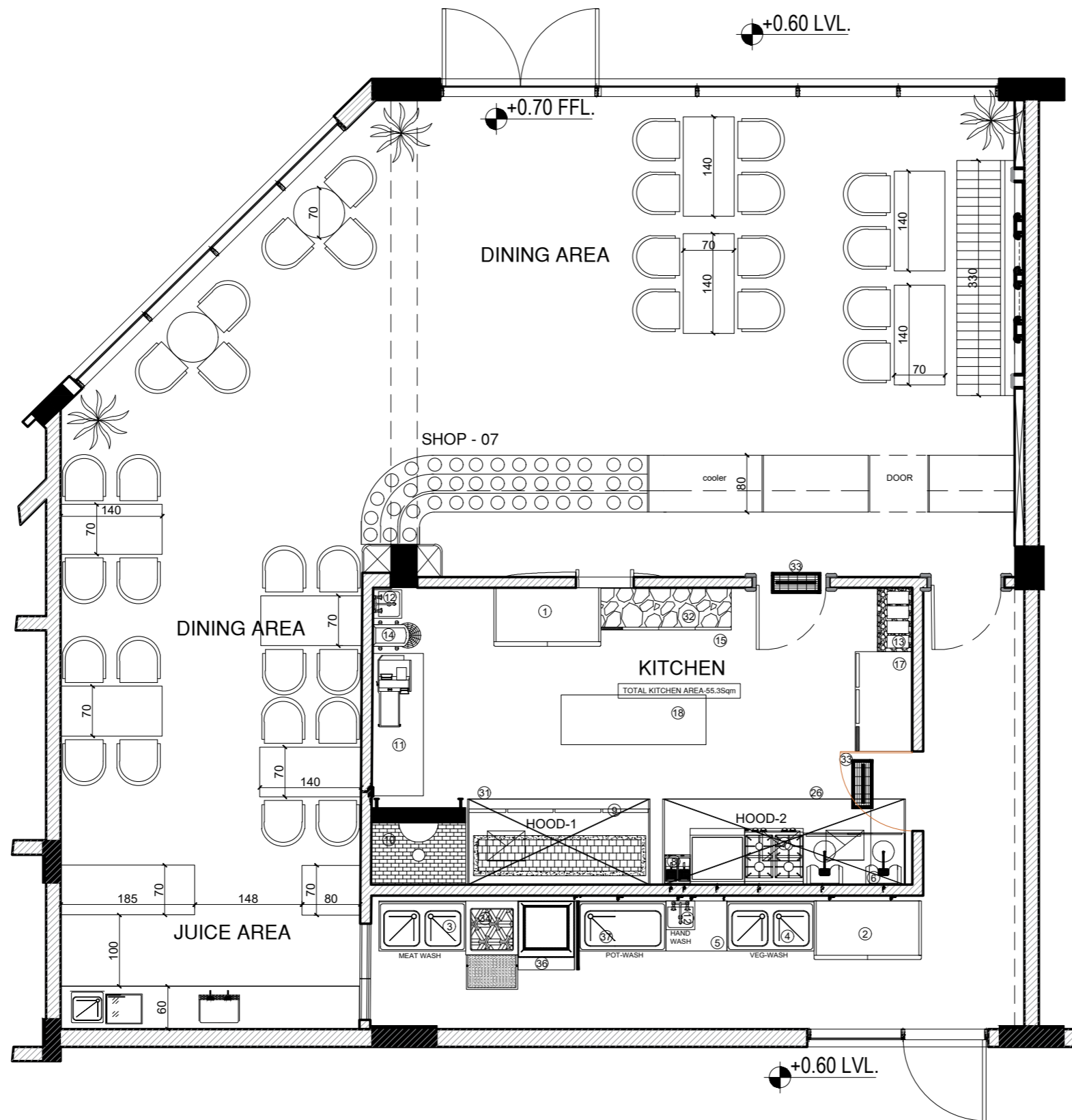
DESIGNER:
 MALLAH DESIGN STUDIO
 SAUDI ARABIA - ALKHOUBAR
 TEL: +966 54 300 0639 / +966 59 800 0874
 EMAIL: FT.MALLAH@GMAIL.COM

CLIENT:
 SHISH & KHEBZA

DRAWING TITLE:
 DIMENSION PLAN

NOTE:
 1) Any dimensions given are in Centimeter unless stated otherwise.
 2) Do not scale from drawings, All dimension should be checked and clarified on site before proceeding with construction.
 3) Mallah design studio should be informed immediately in writing of any changes that happen on the project.

DATE: PAGE NO:



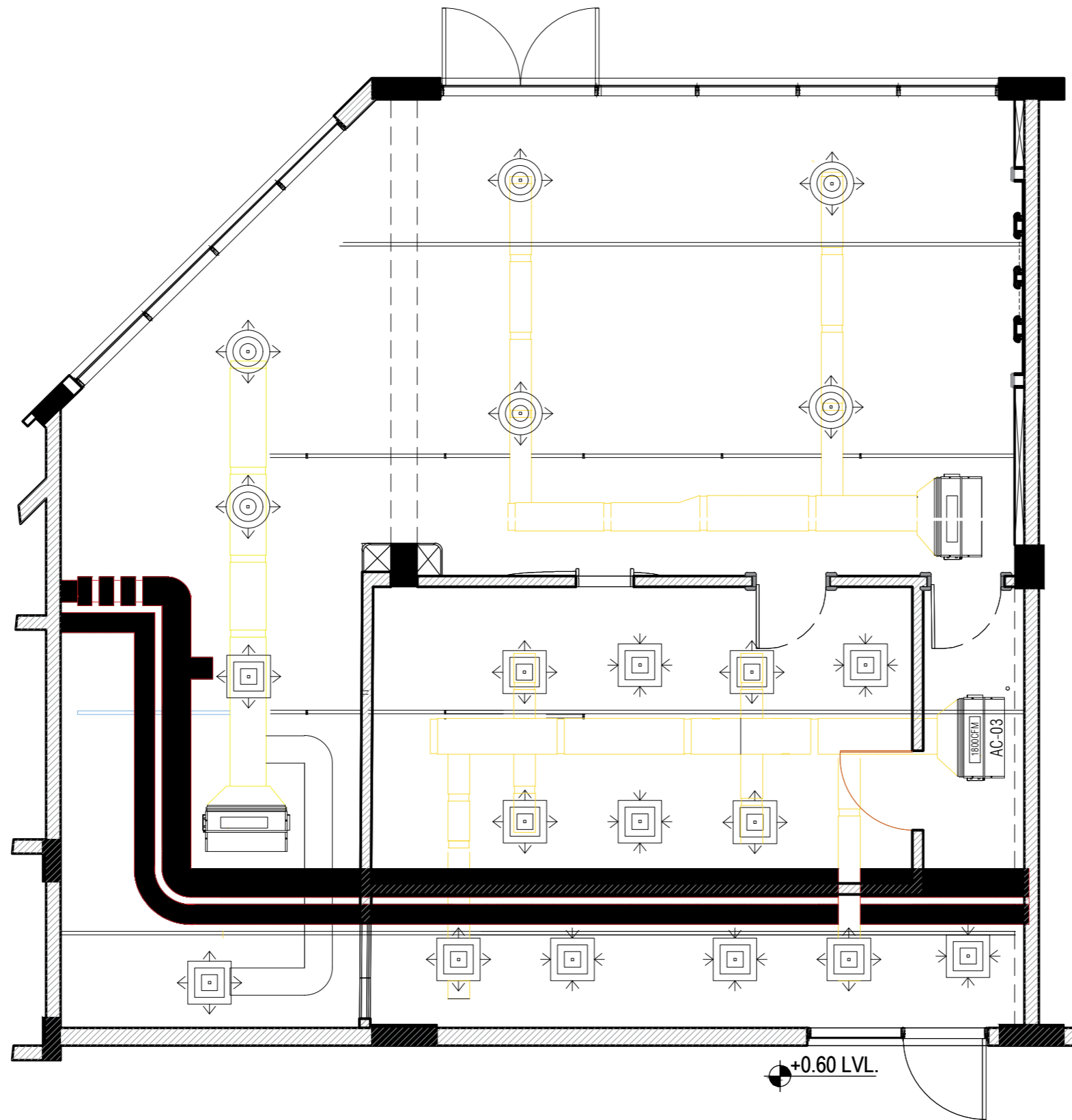
DESIGNER:
MALLAH DESIGN STUDIO
SAUDI ARABIA - ALKHOUBAR
TEL: +966 54 300 0639 / +966 59 800 0874
EMAIL: FT.MALLAH@GMAIL.COM

CLIENT:
SHISH & KHEBZA

DRAWING TITLE:
FURNITURE PLAN

NOTE:
1) Any dimensions given are in Centimeter unless stated otherwise.
2) Do not scale from drawings, All dimension should be checked and clarified on site before proceeding with construction.
3) Mallah design studio should be informed immediately in writing of any changes that happen on the project.

DATE:
PAGE NO:



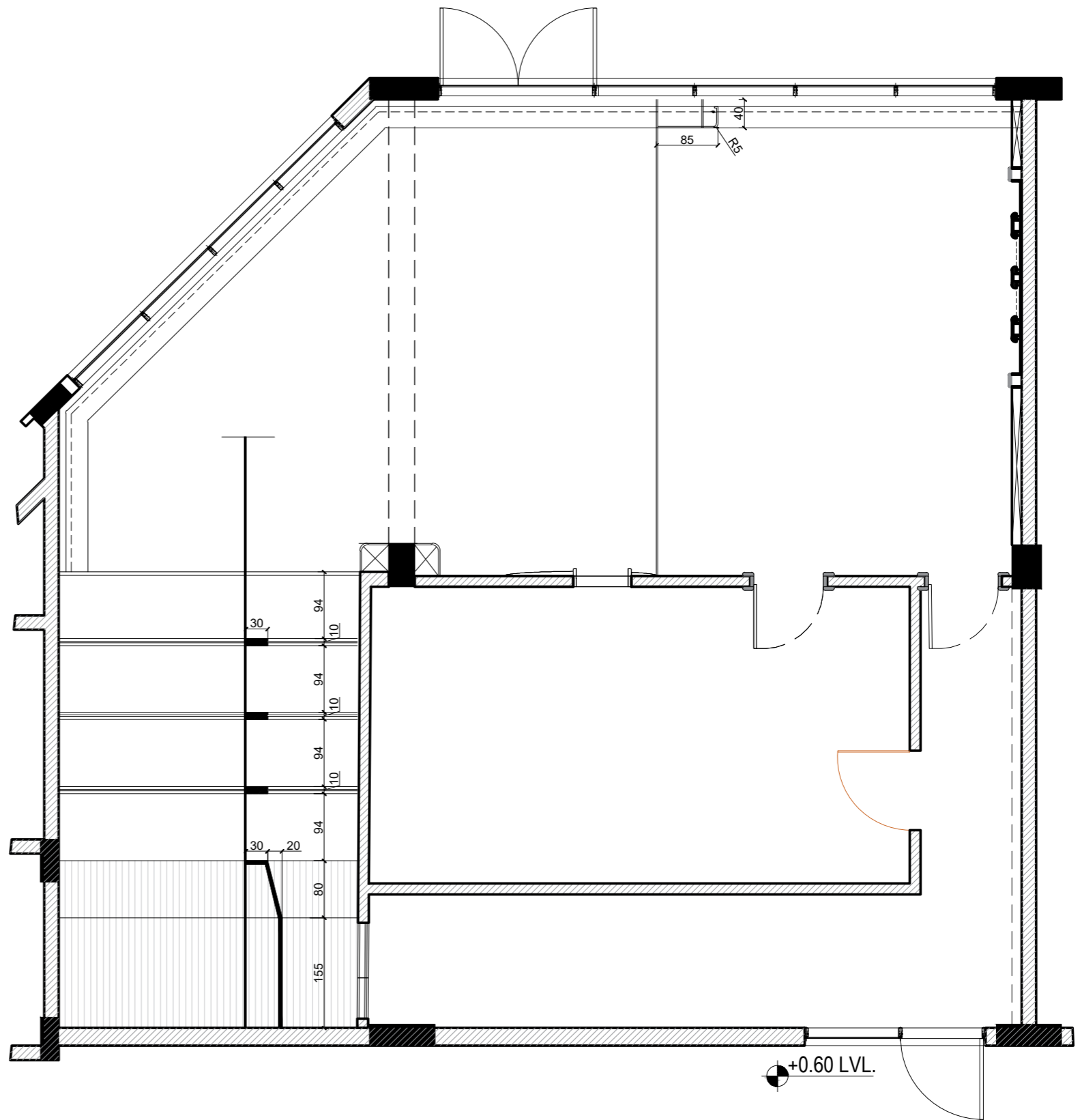
DESIGNER:
 MALLAH DESIGN STUDIO
 SAUDI ARABIA - ALKHOUBAR
 TEL: +966 54 300 0639 / +966 59 800 0874
 EMAIL: FT.MALLAH@GMAIL.COM

CLIENT:
 SHISH & KHEBZA

DRAWING TITLE:
 AC

NOTE:
 1) Any dimensions given are in Centimeter unless stated otherwise.
 2) Do not scale from drawings, All dimension should be checked and clarified on site before proceeding with construction.
 3) Mallah design studio should be informed immediately in writing of any changes that happen on the project.

DATE: PAGE NO:






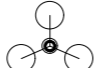







DESIGNER:
 MALLAH DESIGN STUDIO
 SAUDI ARABIA -ALKHOUBAR
 TEL:+966 54 300 0639 / +966 59 800 0874
 EMAIL:FT.MALLAH@GMAIL.COM

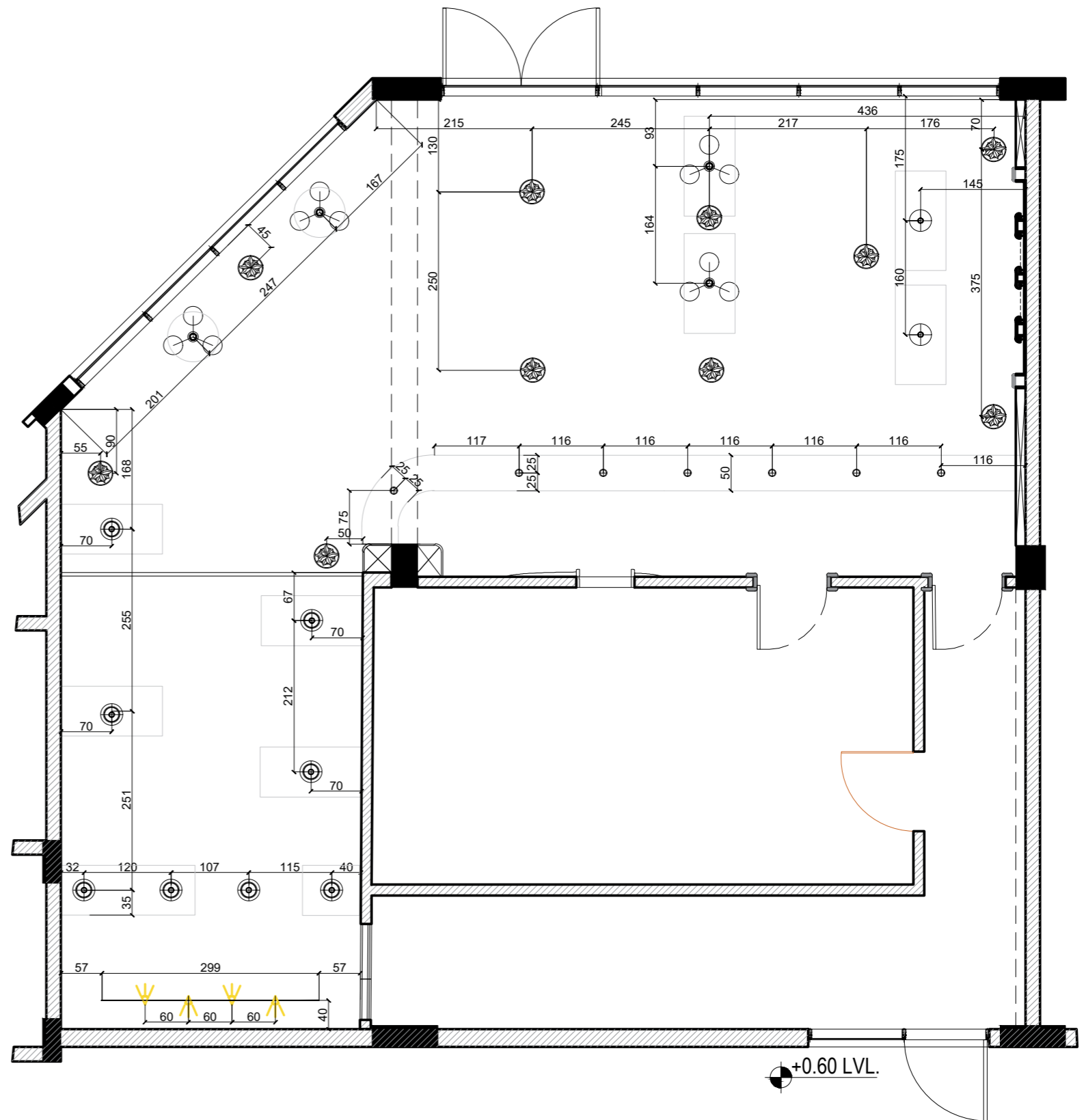
CLIENT:
 SHISH & KHEBZA

DRAWING TITLE:
switches

NOTE:
 1) Any dimensions given are in Centimeter unless stated otherwise.
 2) Do not scale from drawings, All dimension should be checked and clarified on site before proceeding with construction.
 3) Mallah design studio should be informed immediately in writing of any changes that happen on the project.

| DATE: | PAGE NO: |
|-------|----------|
| | |

| | | | | | |
|---|---|---|---|---|---|
|  | drop light |  |  | drop light |  |
|  | drop light |  |  | drop light |  |
| spot light |  |  | drop plants |  | |



DESIGNER:
MALLAH DESIGN STUDIO
SAUDI ARABIA - ALKHOUBAR
TEL: +966 54 300 0639 / +966 59 800 0874
EMAIL: FT.MALLAH@GMAIL.COM

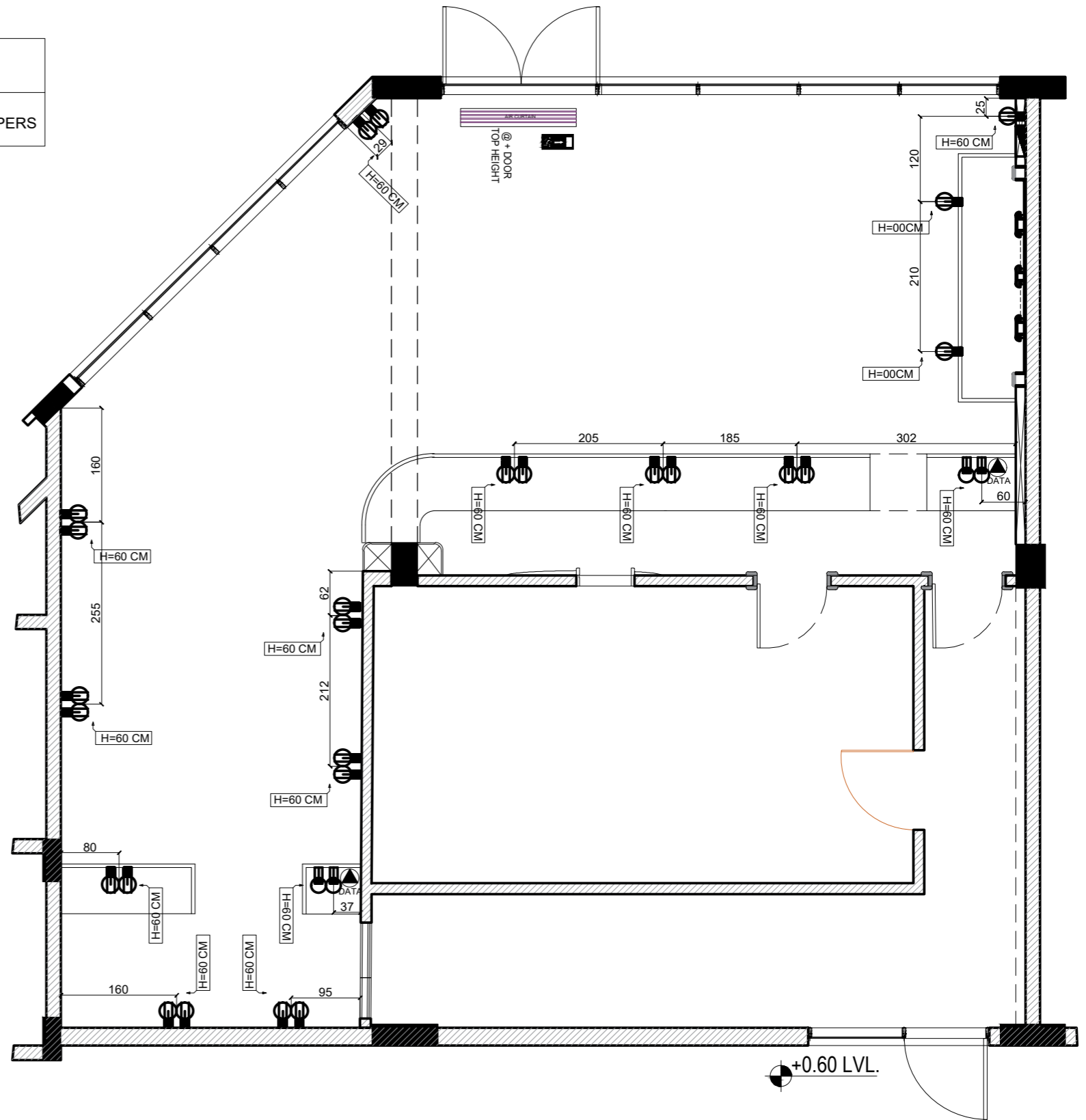
CLIENT:
SHISH & KHEBZA

DRAWING TITLE:
lighting

NOTE:
1) Any dimensions given are in Centimeter unless stated otherwise.
2) Do not scale from drawings, All dimension should be checked and clarified on site before proceeding with construction.
3) Mallah design studio should be informed immediately in writing of any changes that happen on the project.

DATE: _____
PAGE NO: _____

| | | | | | |
|--|----------------------|--|------------------|--|-----------------|
| | (220/1/60) (3-WIRES) | | DATA OUTLET | | TABLON |
| | EXIT SIGNS | | AIR CURTAIN UNIT | | INSECTS ZAPPERS |



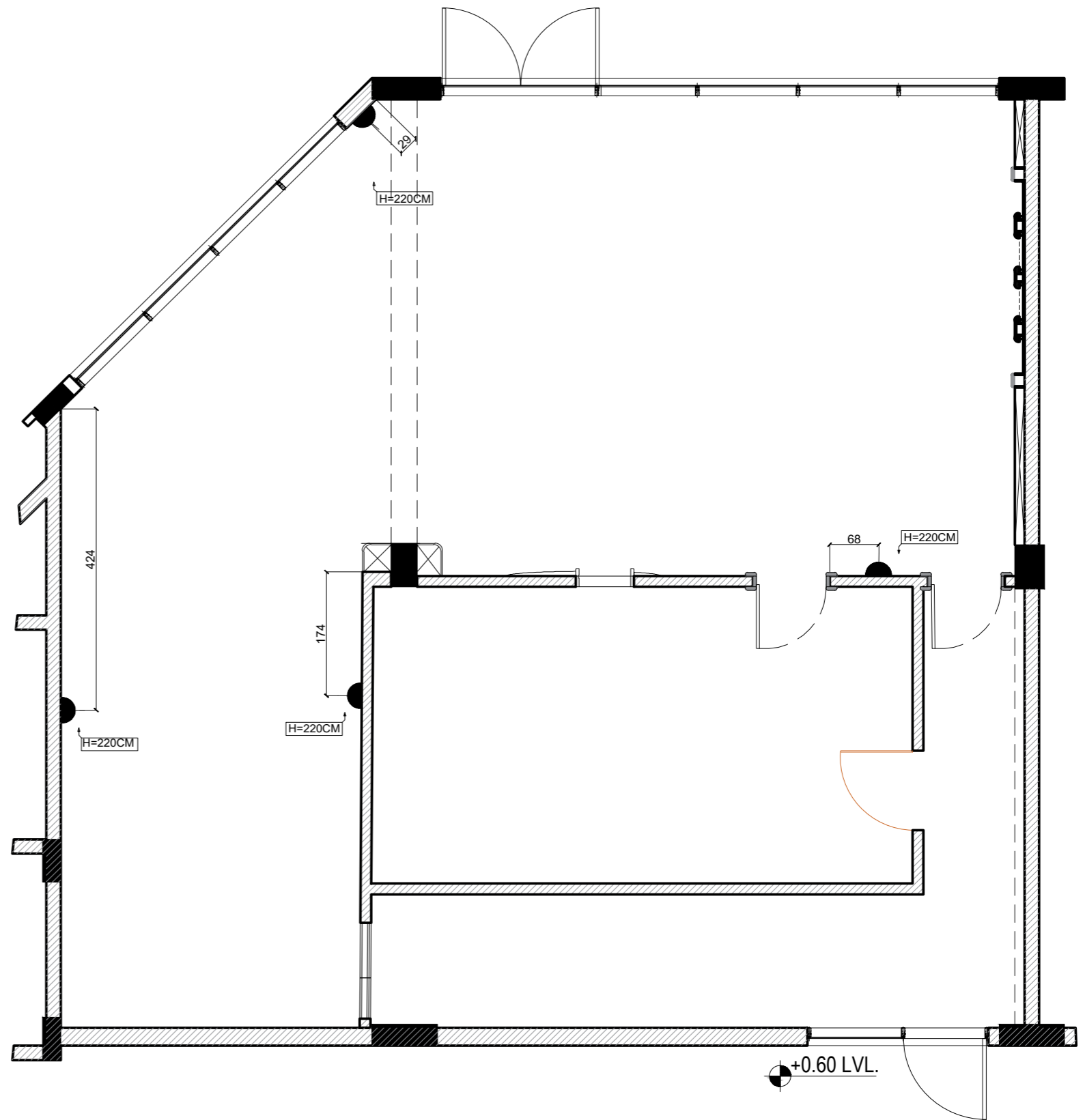
DESIGNER:
MALLAH DESIGN STUDIO
SAUDI ARABIA - ALKHOUBAR
TEL: +966 54 300 0639 / +966 59 800 0874
EMAIL: FT.MALLAH@GMAIL.COM

CLIENT:
SHISH & KHEBZA

DRAWING TITLE:
plugs

NOTE:
1) Any dimensions given are in Centimeter unless stated otherwise.
2) Do not scale from drawings, All dimension should be checked and clarified on site before proceeding with construction.
3) Mallah design studio should be informed immediately in writing of any changes that happen on the project.

DATE:
PAGE NO:



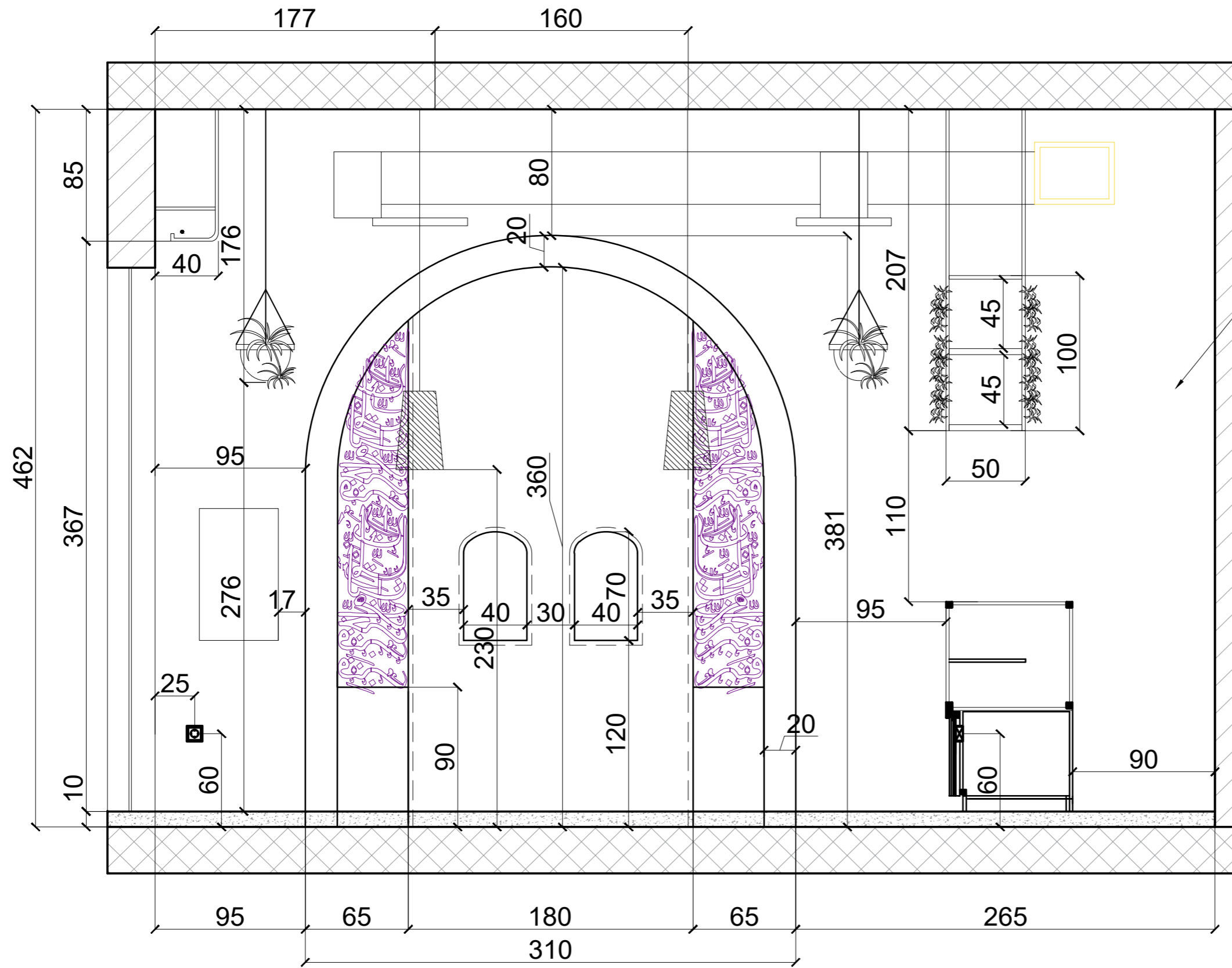
DESIGNER:
 MALLAH DESIGN STUDIO
 SAUDI ARABIA -ALKHOUBAR
 TEL:+966 54 300 0639 / +966 59 800 0874
 EMAIL:FT.MALLAH@GMAIL.COM

CLIENT:
 SHISH & KHEBZA

DRAWING TITLE:
ablik

NOTE:
 1) Any dimensions given are in Centimeter unless stated otherwise.
 2) Do not scale from drawings, All dimension should be checked and clarified on site before proceeding with construction.
 3) Mallah design studio should be informed immediately in writing of any changes that happen on the project.

DATE:
 PAGE NO:



WALL TEXTURE



DESIGNER:
 MALLAH DESIGNN STUDIO
 SAUDI ARABIA -ALKHOUBAR
 TEL:+966 54 300 0639 / +966 59 800 0874
 EMAIL:FT.MALLAH@GMAIL.COM

CLIENT:
 SHISH & KHEBZA

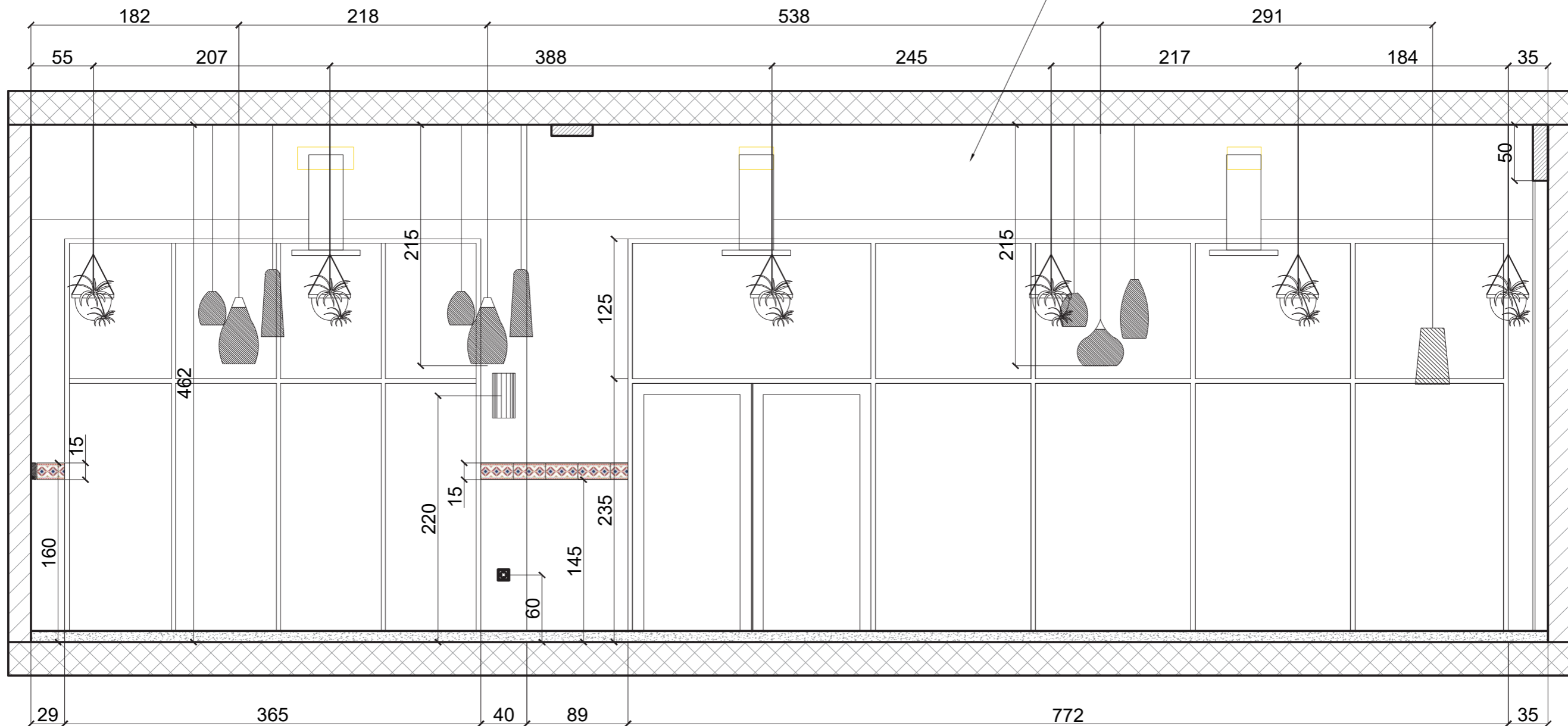
DRAWING TITLE:
 ELEVATION A-A

NOTE:
 1) Any dimensions given are in Centimeter unless stated otherwise.
 2) Do not scale from drawings, All dimension should be checked and clarified on site before proceeding with construction.
 3) Mallah design studio should be informed immediately in writing of any changes that happen on the project.

DATE: PAGE NO:



WALL TEXTURE



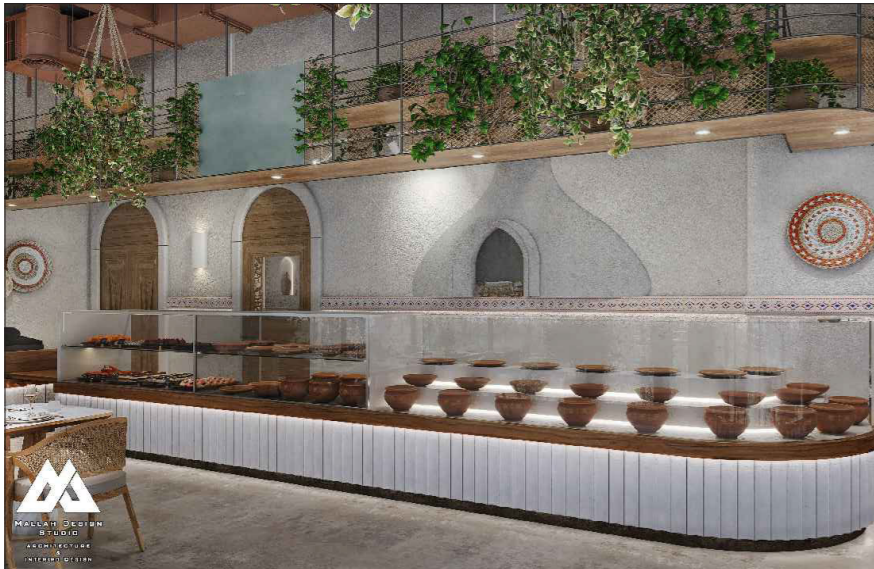
DESIGNER:
 MALLAH DESIGN STUDIO
 SAUDI ARABIA - ALKHOUBAR
 TEL: +966 54 300 0639 / +966 59 800 0874
 EMAIL: FT.MALLAH@GMAIL.COM

CLIENT:
 SHISH & KHEBZA

DRAWING TITLE:
 SECTION B-B

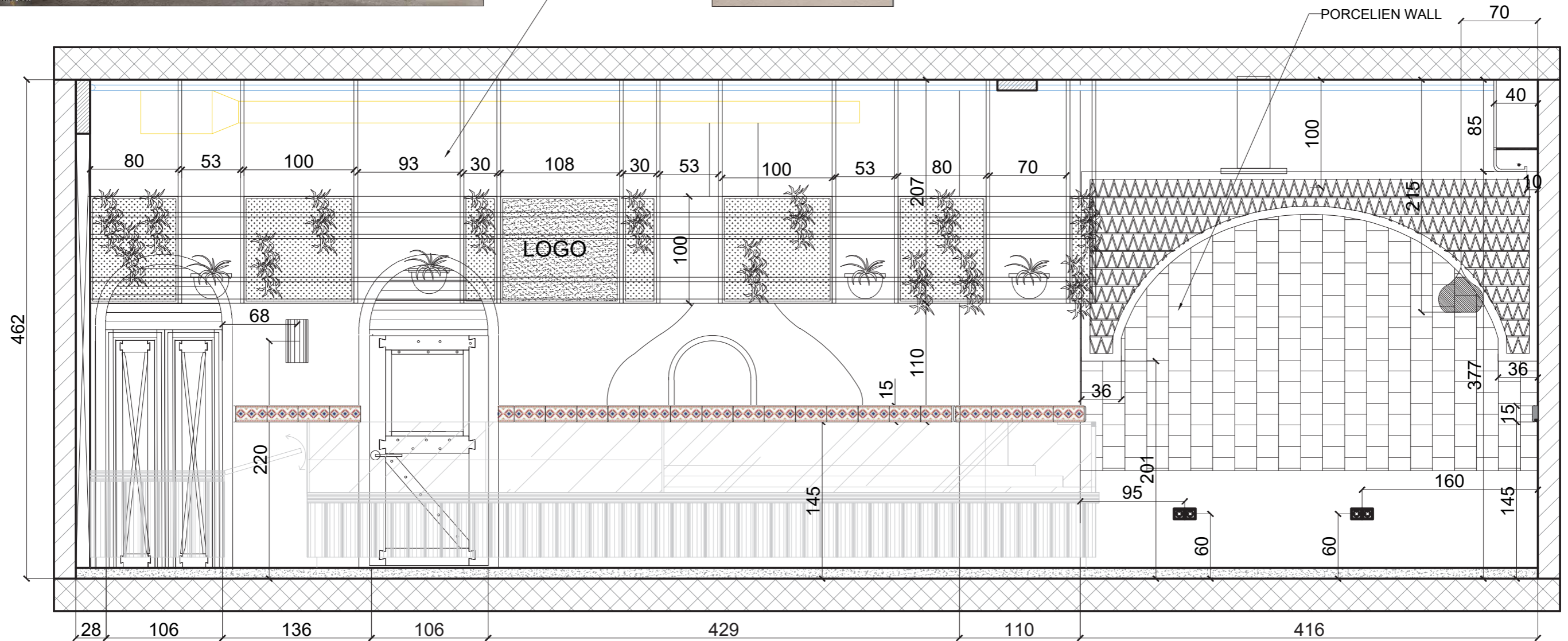
NOTE:
 1) Any dimensions given are in Centimeter unless stated otherwise.
 2) Do not scale from drawings, All dimension should be checked and clarified on site before proceeding with construction.
 3) Mallah design studio should be informed immediately in writing of any changes that happen on the project.

DATE: _____ PAGE NO: _____



WALL TEXTURE

PORCELIEN WALL 70



DESIGNER:
MALLAH DESIGN STUDIO
SAUDI ARABIA - ALKHOUBAR
TEL: +966 54 300 0639 / +966 59 800 0874
EMAIL: FT.MALLAH@GMAIL.COM

CLIENT:
SHISH & KHEBZA

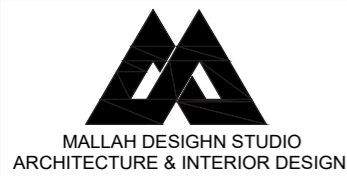
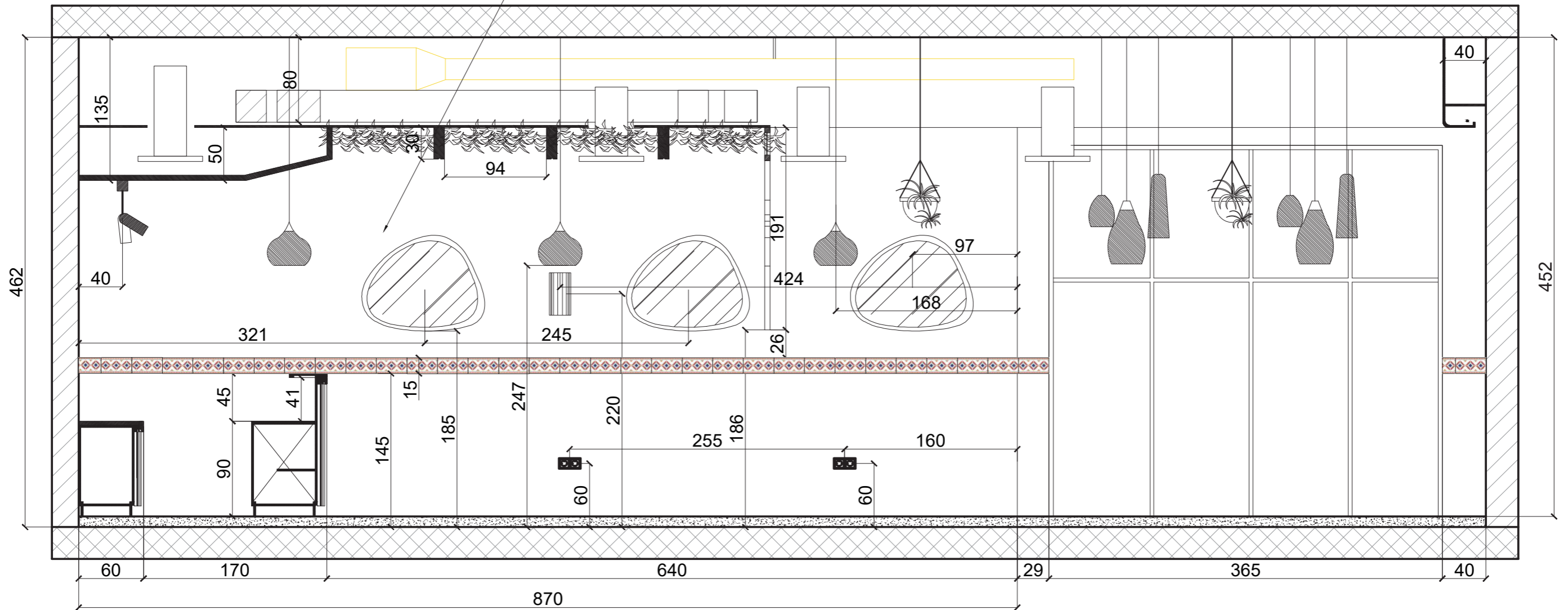
DRAWING TITLE:
SECTION C-C

NOTE:
1) Any dimensions given are in Centimeter unless stated otherwise.
2) Do not scale from drawings, All dimension should be checked and clarified on site before proceeding with construction.
3) Mallah design studio should be informed immediately in writing of any changes that happen on the project.

DATE: PAGE NO:



WALL TEXTURE



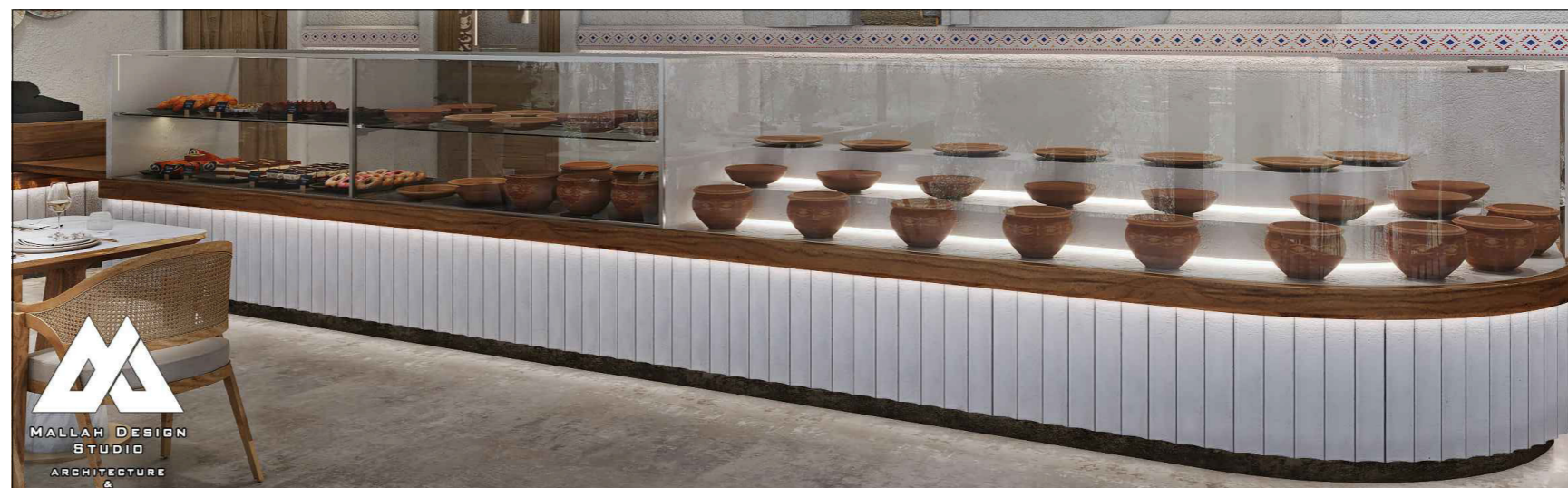
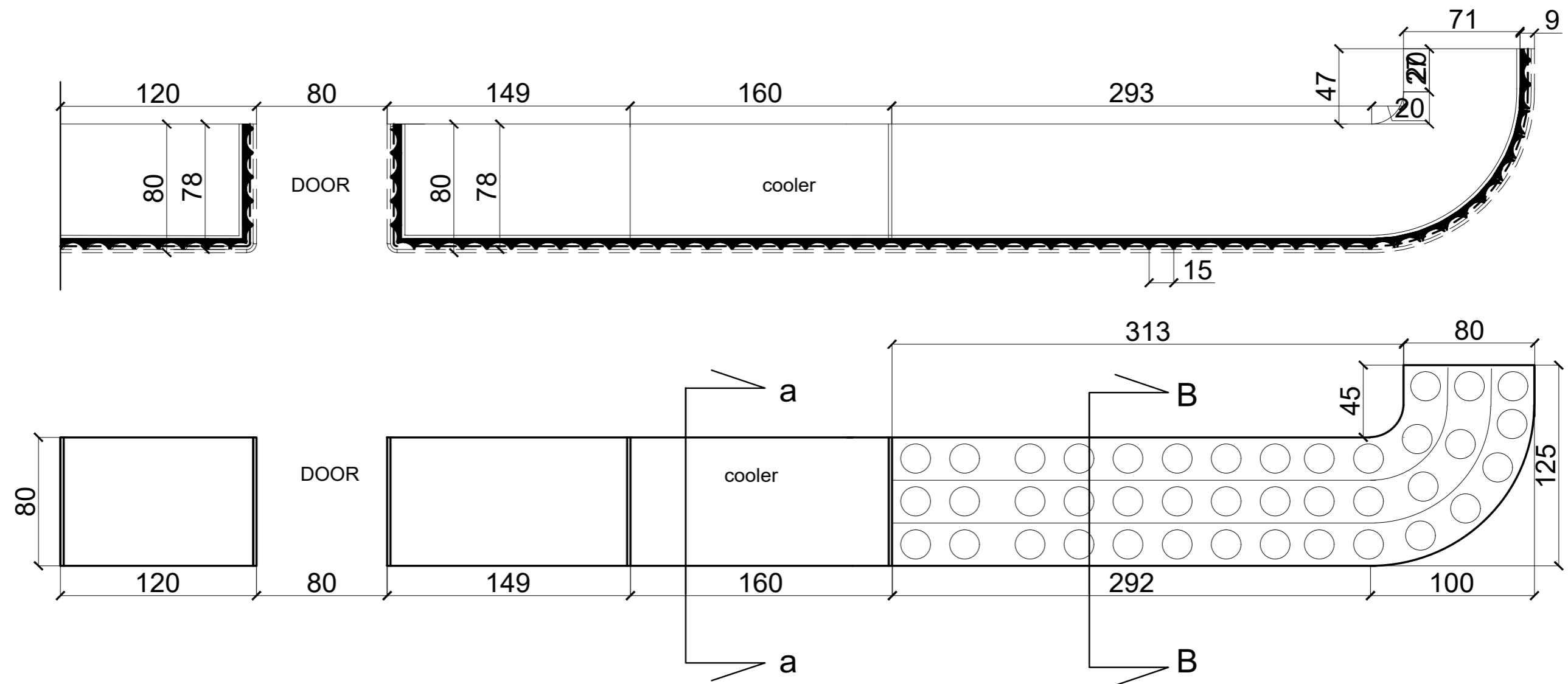
DESIGNER:
MALLAH DESIGN STUDIO
SAUDI ARABIA - ALKHOUBAR
TEL: +966 54 300 0639 / +966 59 800 0874
EMAIL: FT.MALLAH@GMAIL.COM

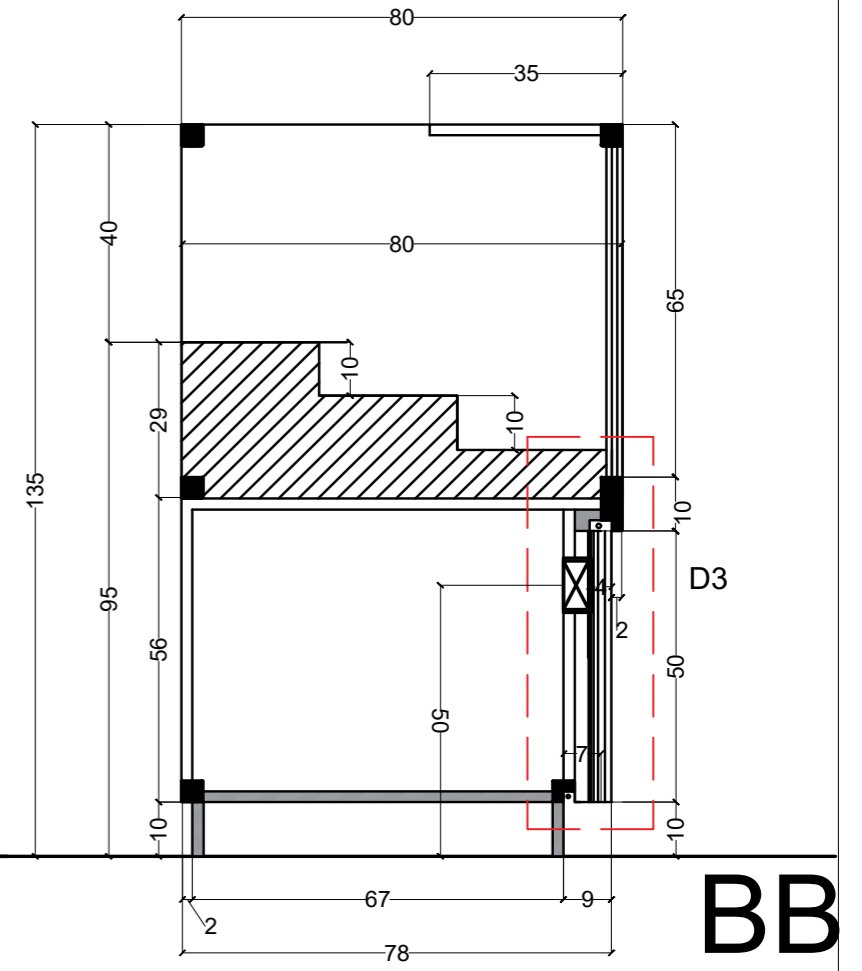
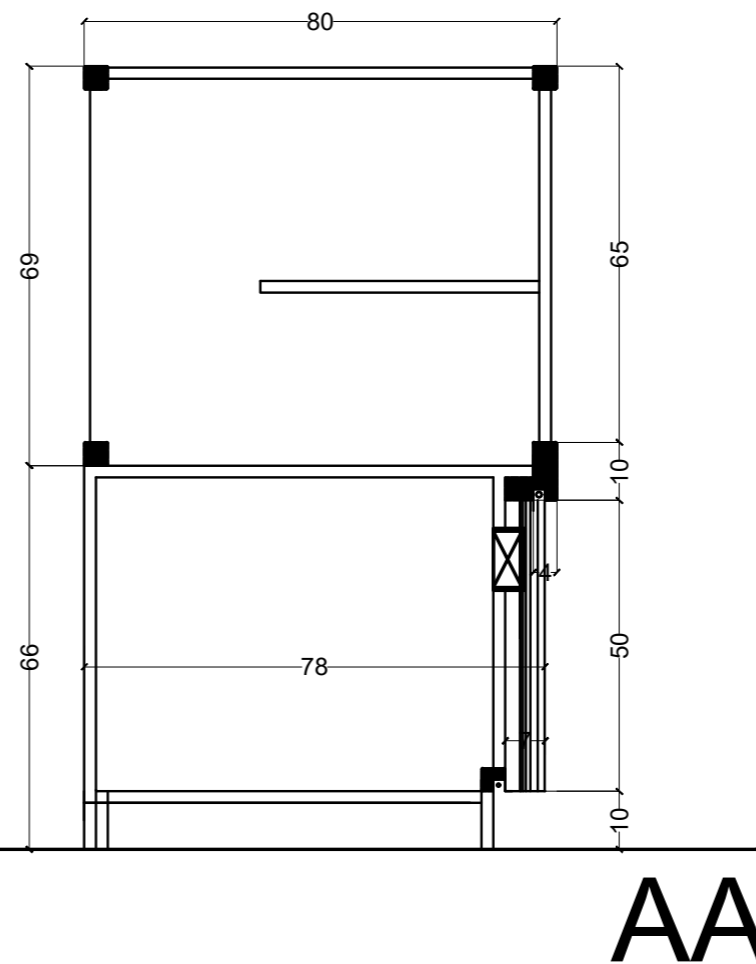
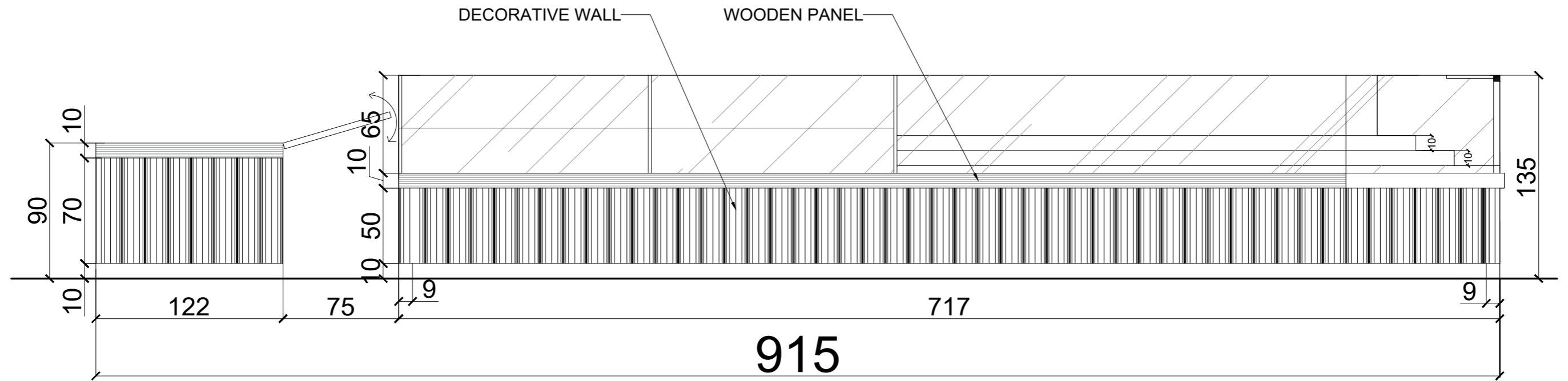
CLIENT:
SHISH & KHEBZA

DRAWING TITLE:
SECTION D-D

NOTE:
1) Any dimensions given are in Centimeter unless stated otherwise.
2) Do not scale from drawings, All dimension should be checked and clarified on site before proceeding with construction.
3) Mallah design studio should be informed immediately in writing of any changes that happen on the project.

DATE: PAGE NO:





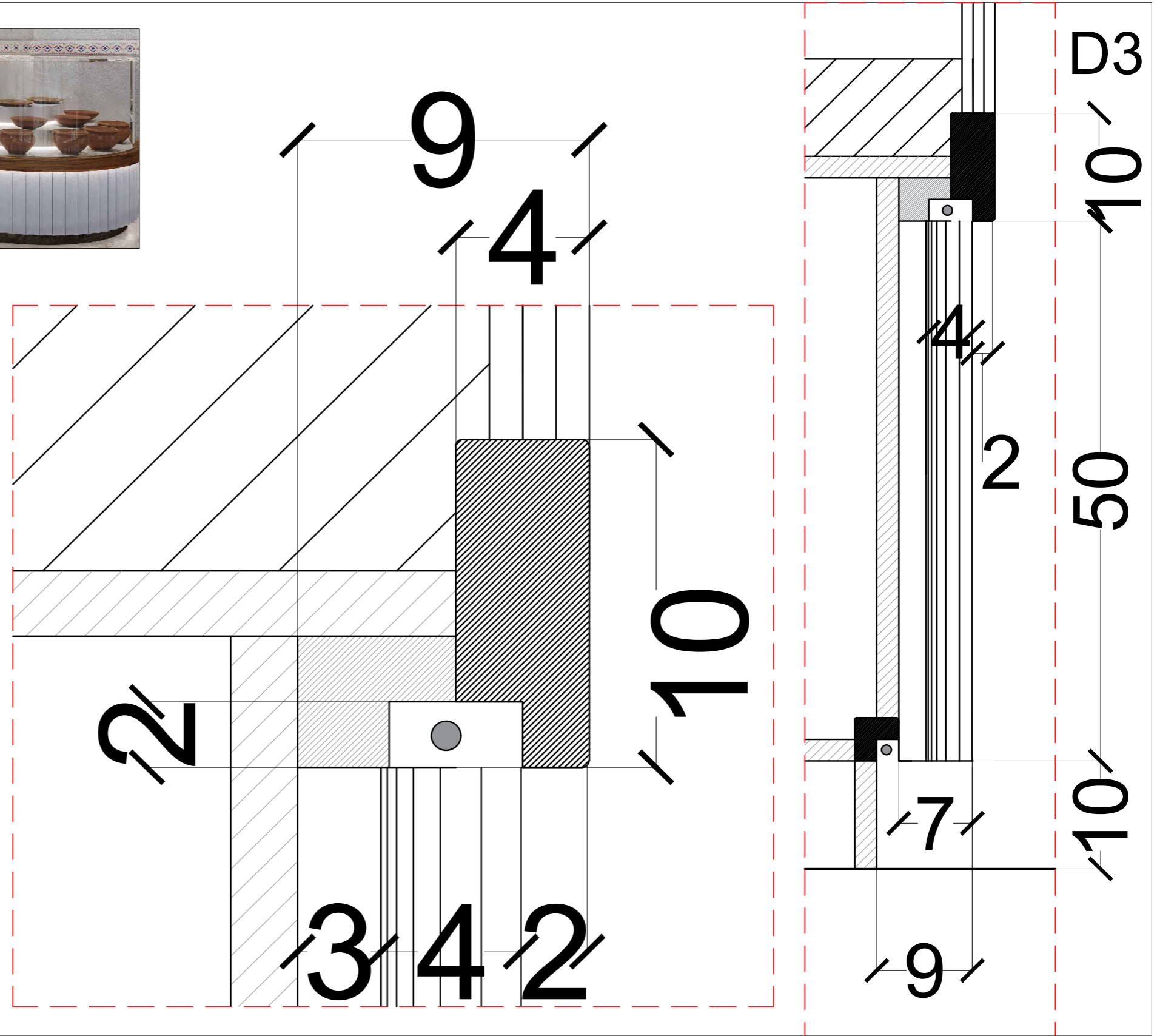
DESIGNER:
 MALLAH DESIGN STUDIO
 SAUDI ARABIA -ALKHOUBAR
 TEL:+966 54 300 0639 / +966 59 800 0874
 EMAIL:FT.MALLAH@GMAIL.COM

CLIENT:
 SHISH & KHEBZA

DRAWING TITLE:
 COUNTER DETAILS

NOTE:
 1) Any dimensions given are in Centimeter unless stated otherwise.
 2) Do not scale from drawings, All dimension should be checked and clarified on site before proceeding with construction.
 3) Mallah design studio should be informed immediately in writing of any changes that happen on the project.

DATE:
 PAGE NO:



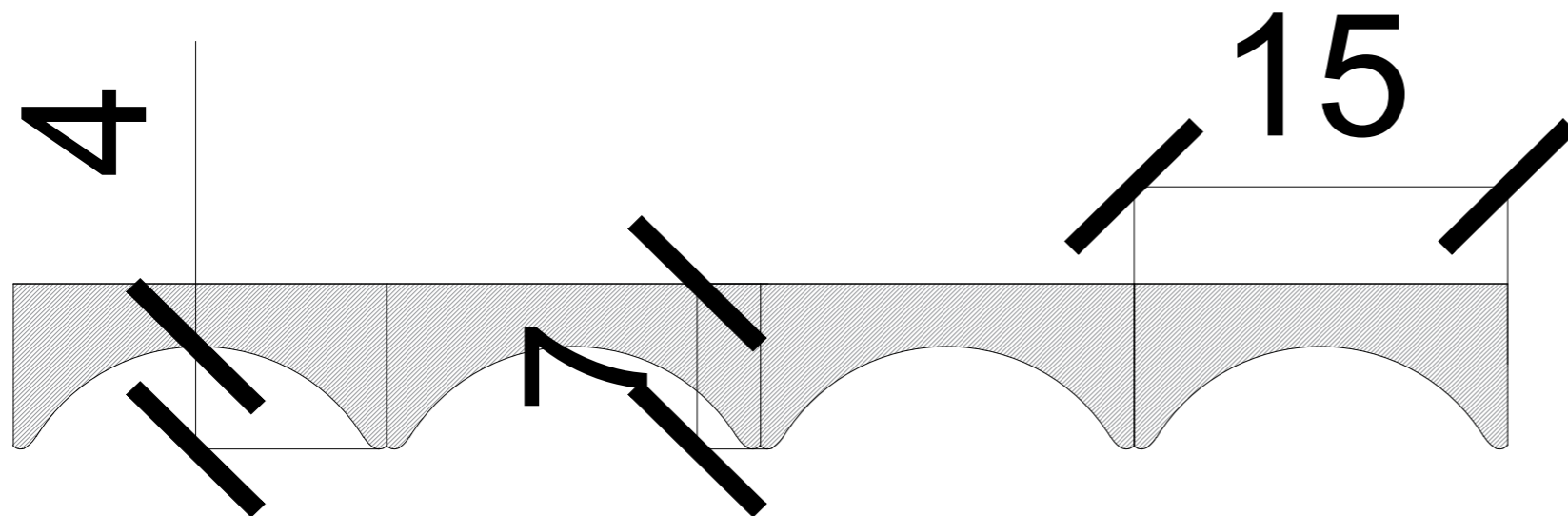
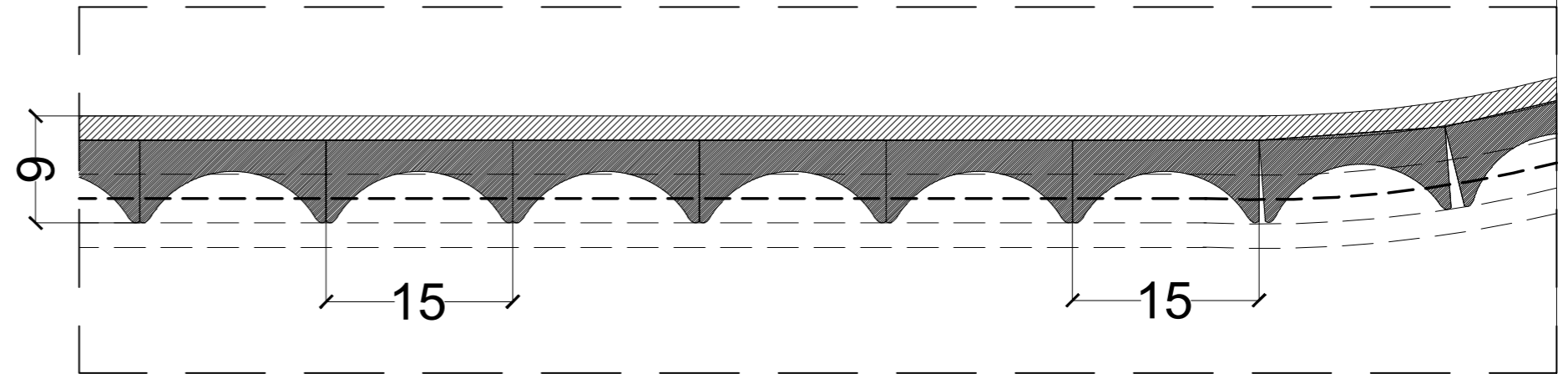
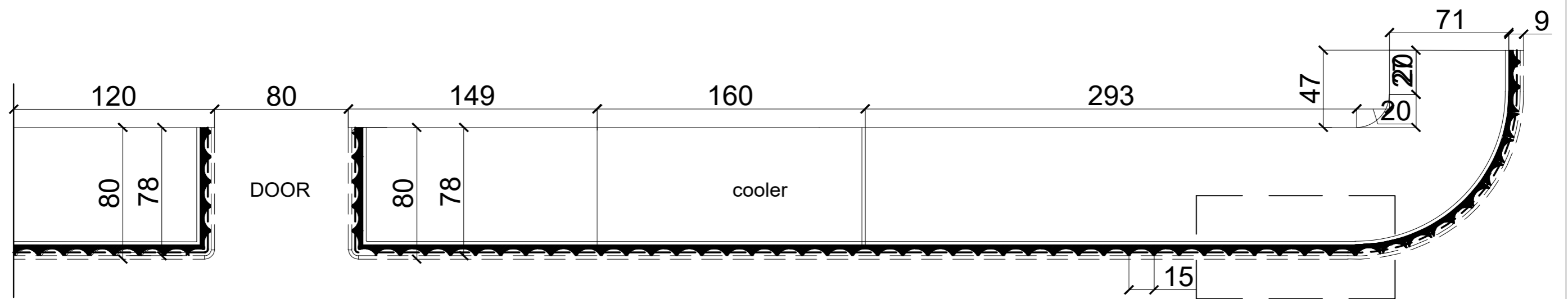
DESIGNER:
MALLAH DESIGN STUDIO
SAUDI ARABIA -ALKHOUBAR
TEL:+966 54 300 0639 / +966 59 800 0874
EMAIL:FT.MALLAH@GMAIL.COM

CLIENT:
SHISH & KHEBZA

DRAWING TITLE:
COUNTER DETAILS

NOTE:
1) Any dimensions given are in Centimeter unless stated otherwise.
2) Do not scale from drawings, All dimension should be checked and clarified on site before proceeding with construction.
3) Mallah design studio should be informed immediately in writing of any changes that happen on the project.

DATE:
PAGE NO:



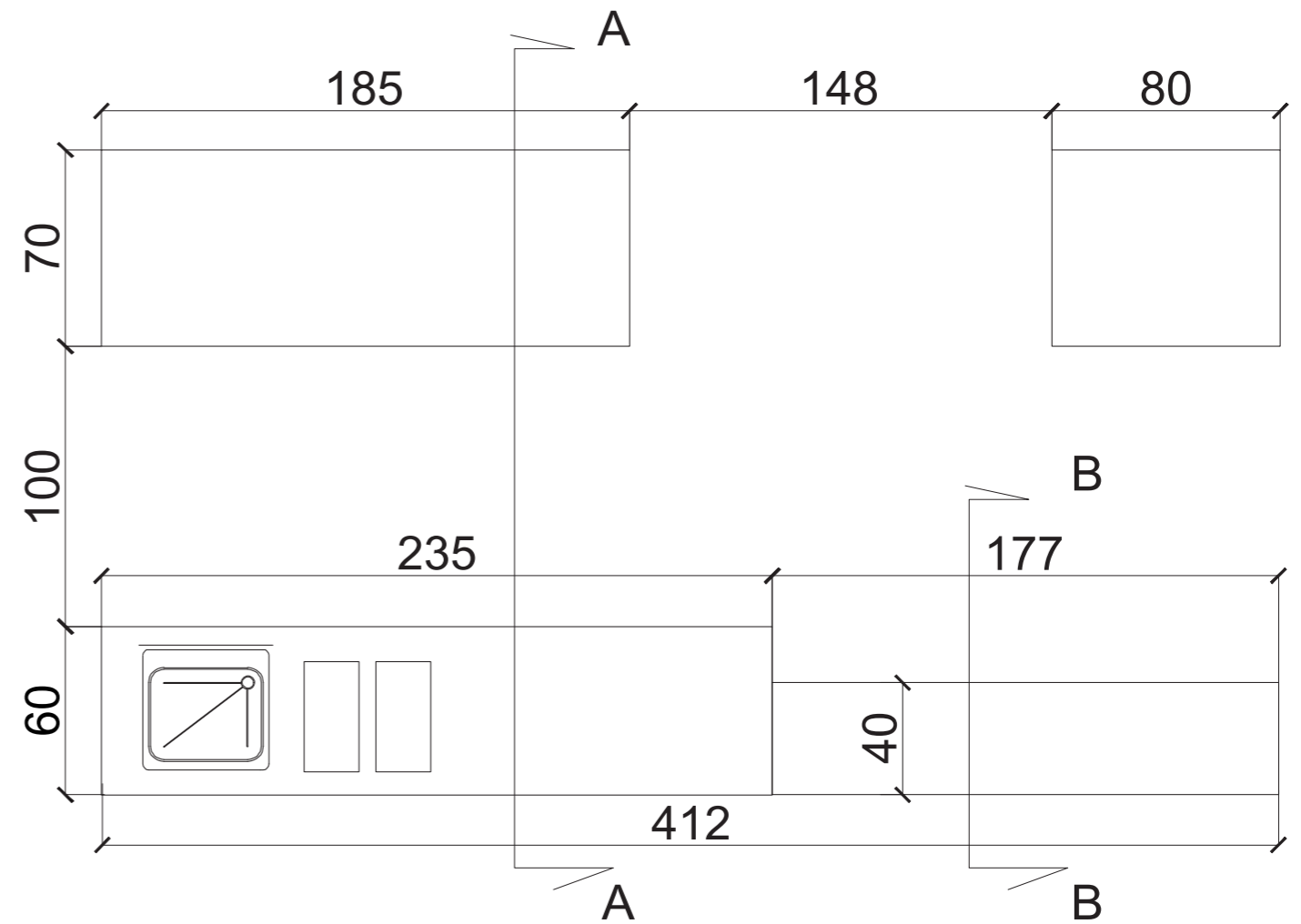
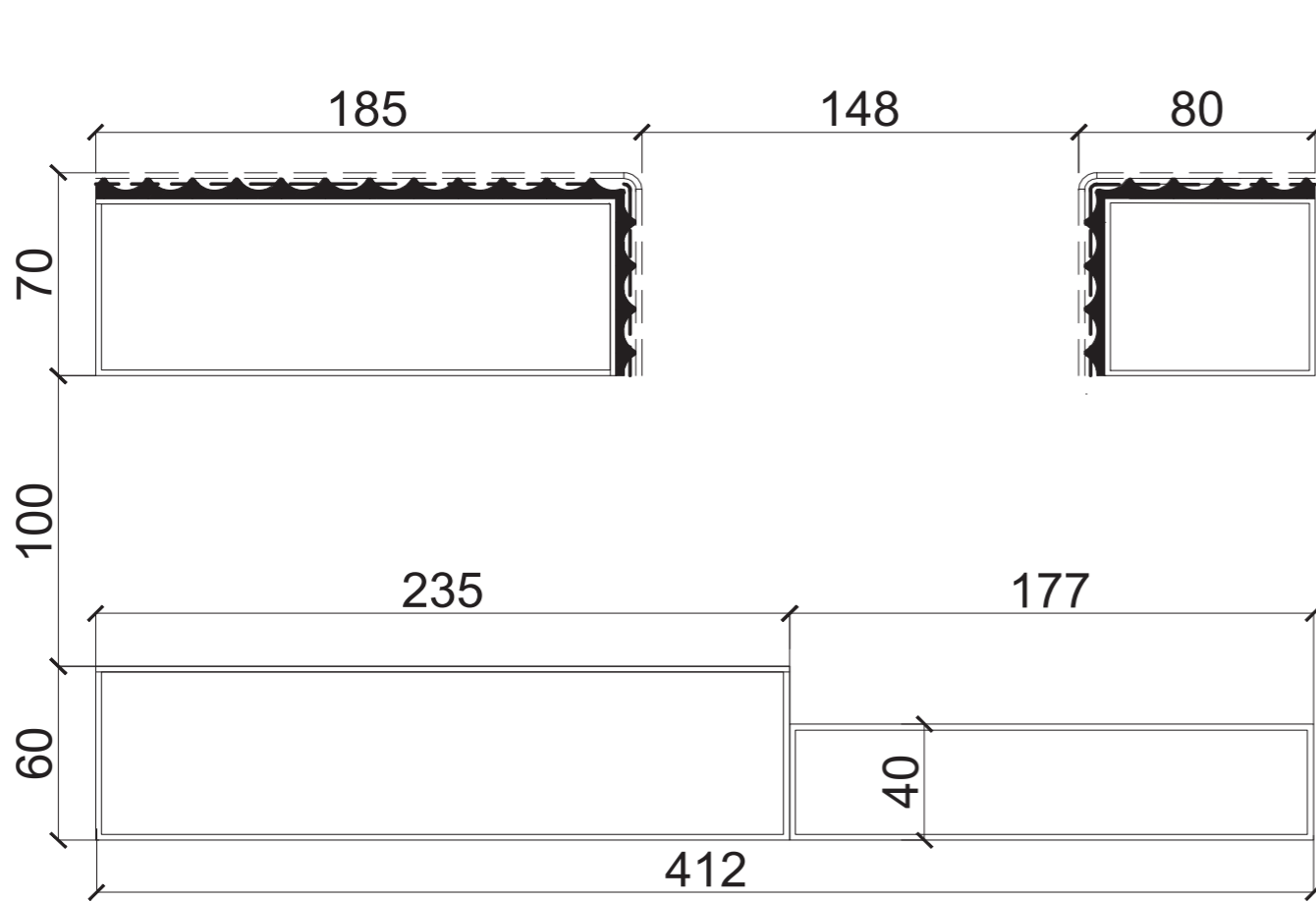
DESIGNER:
MALLAH DESIGN STUDIO
SAUDI ARABIA -ALKHOUBAR
TEL:+966 54 300 0639 / +966 59 800 0874
EMAIL:FT.MALLAH@GMAIL.COM

CLIENT:
SHISH & KHEBZA

DRAWING TITLE:
COUNTER DETAILS

NOTE:
1) Any dimensions given are in Centimeter unless stated otherwise.
2) Do not scale from drawings, All dimension should be checked and clarified on site before proceeding with construction.
3) Mallah design studio should be informed immediately in writing of any changes that happen on the project.

DATE: PAGE NO:



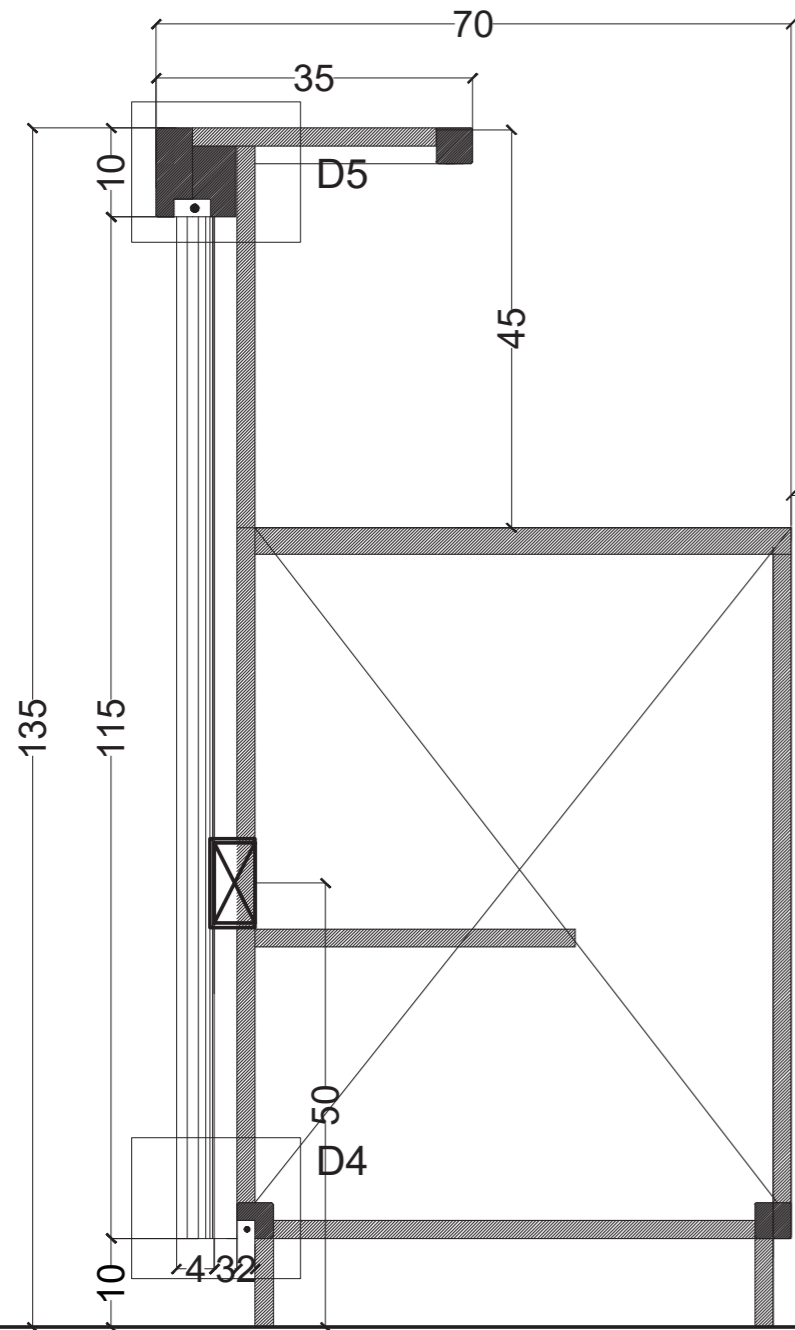
DESIGNER:
 MALLAH DESIGN STUDIO
 SAUDI ARABIA - ALKHOUBAR
 TEL: +966 54 300 0639 / +966 59 800 0874
 EMAIL: FT.MALLAH@GMAIL.COM

CLIENT:
 SHISH & KHEBZA

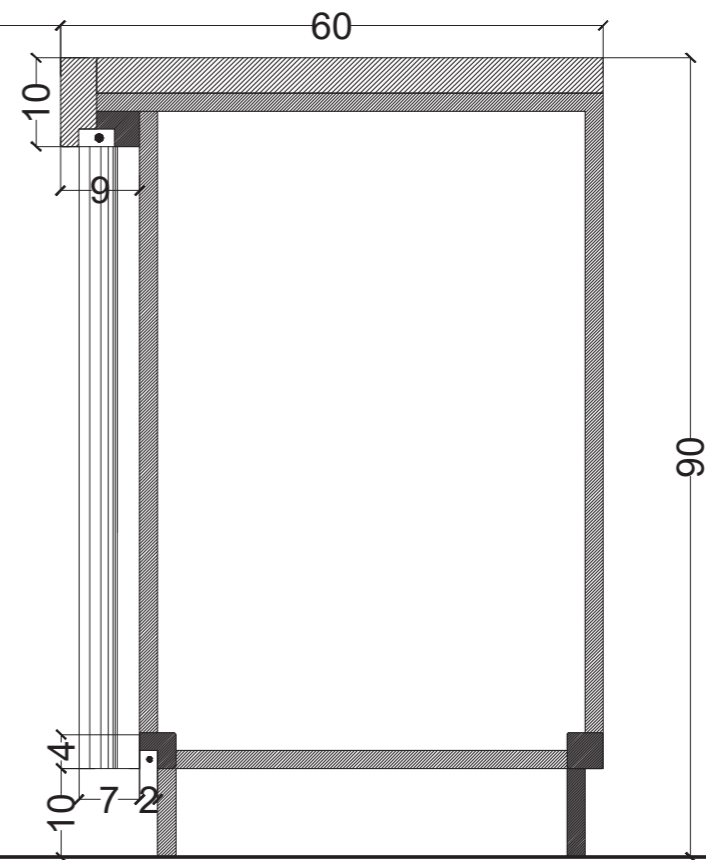
DRAWING TITLE:
 JUESE COUNTER DETAILS

NOTE:
 1) Any dimensions given are in Centimeter unless stated otherwise.
 2) Do not scale from drawings, All dimension should be checked and clarified on site before proceeding with construction.
 3) Mallah design studio should be informed immediately in writing of any changes that happen on the project.

DATE:
 PAGE NO:



100



AA'



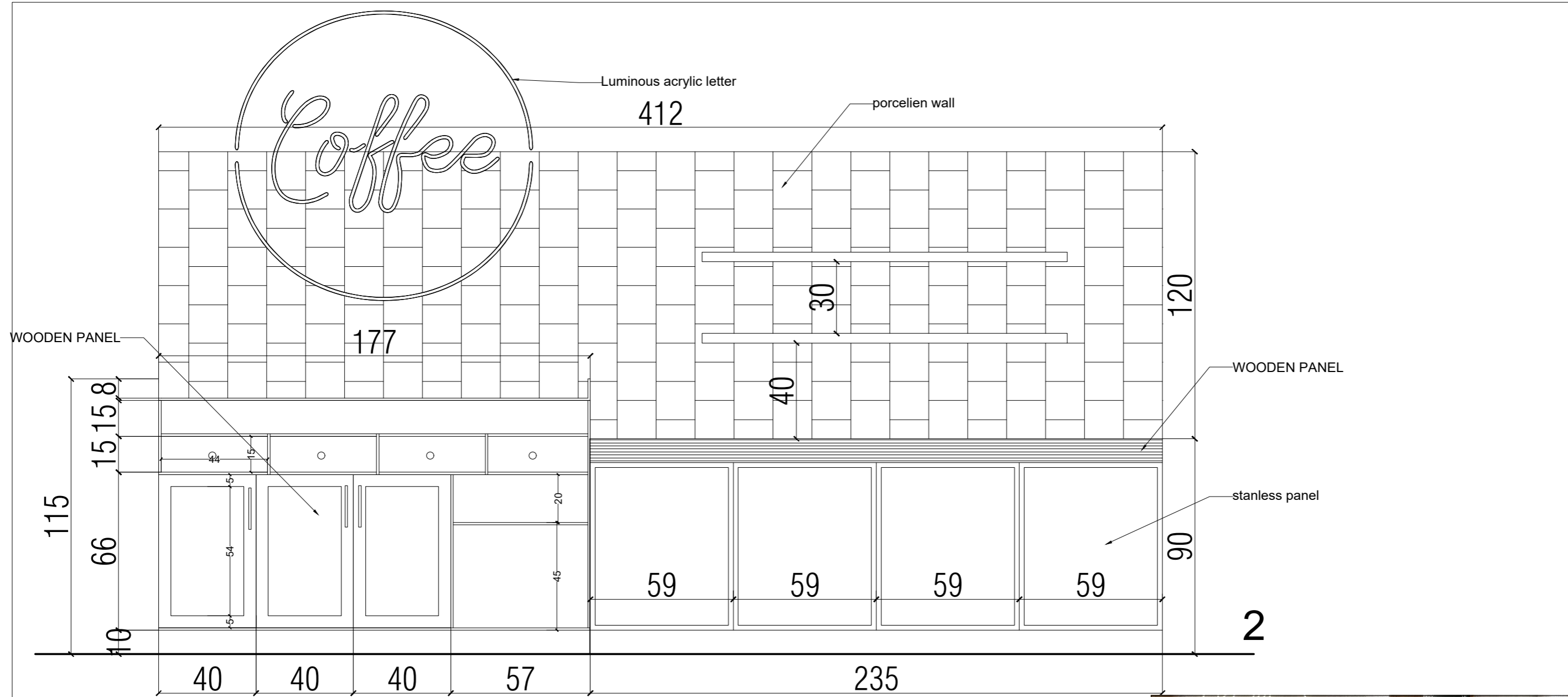
DESIGNER:
 MALLAH DESIGN STUDIO
 SAUDI ARABIA - ALKHOUBAR
 TEL: +966 54 300 0639 / +966 59 800 0874
 EMAIL: FT.MALLAH@GMAIL.COM

CLIENT:
SHISH & KHEBZA

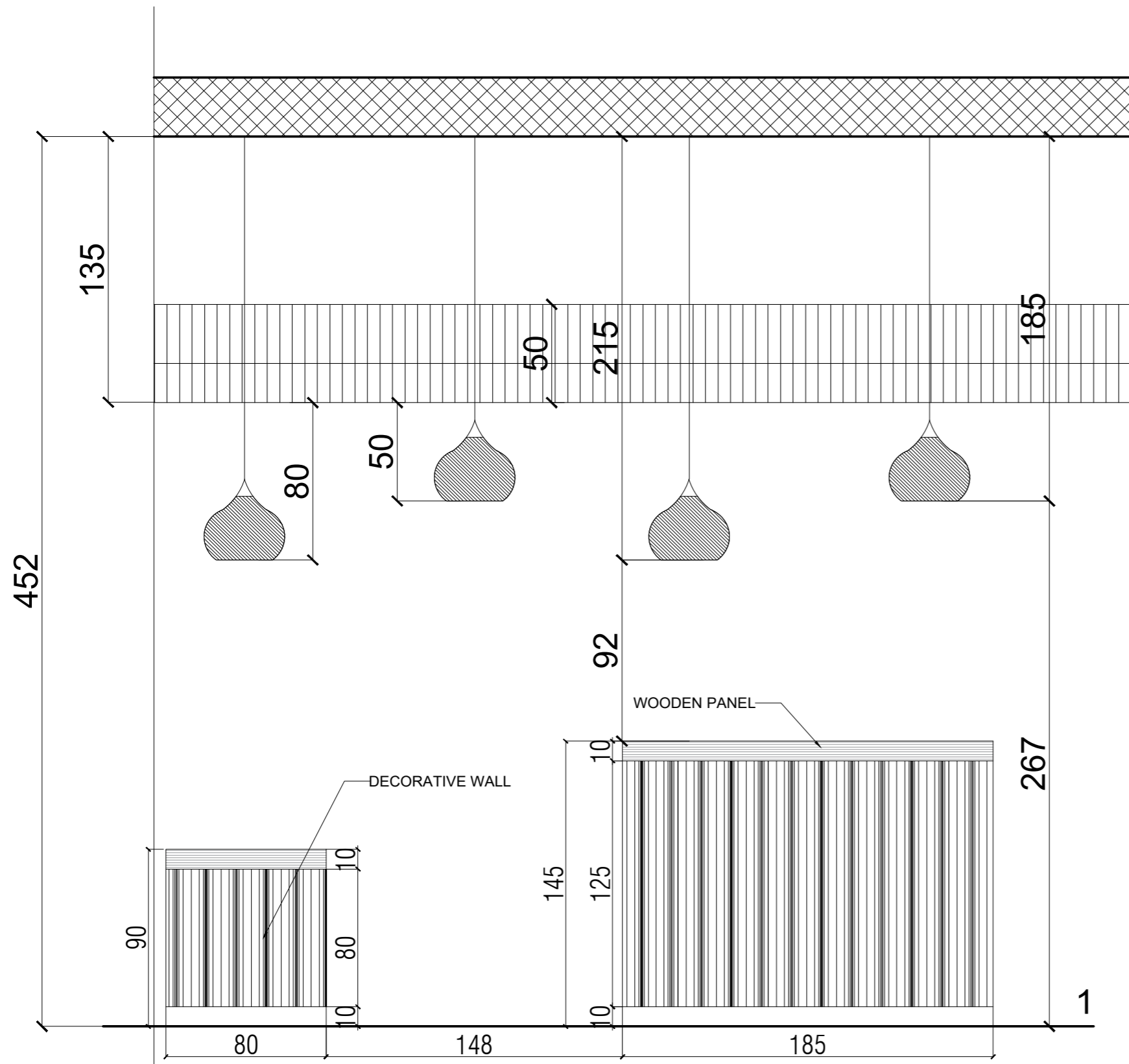
DRAWING TITLE:
JUESE COUNTER DETAILS

NOTE:
 1) Any dimensions given are in Centimeter unless stated otherwise.
 2) Do not scale from drawings, All dimension should be checked and clarified on site before proceeding with construction.
 3) Mallah design studio should be informed immediately in writing of any changes that happen on the project.

DATE:
 PAGE NO:



| | | | | | |
|--|--------------------------------------|---|--|-------|----------|
| DESIGNER: MALLAH DESIGN STUDIO SAUDI ARABIA -ALKHOUBAR TEL:+966 54 300 0639 / +966 59 800 0874 EMAIL:FT.MALLAH@GMAIL.COM | CLIENT: SHISH & KHEBZA | DRAWING TITLE: JUESE COUNTER DETAILS | NOTE: 1) Any dimensions given are in Centimeter unless stated otherwise. 2) Do not scale from drawings, All dimension should be checked and clarified on site before proceeding with construction. 3) Mallah design studio should be informed immediately in writing of any changes that happen on the project. | DATE: | PAGE NO: |
|--|--------------------------------------|---|--|-------|----------|



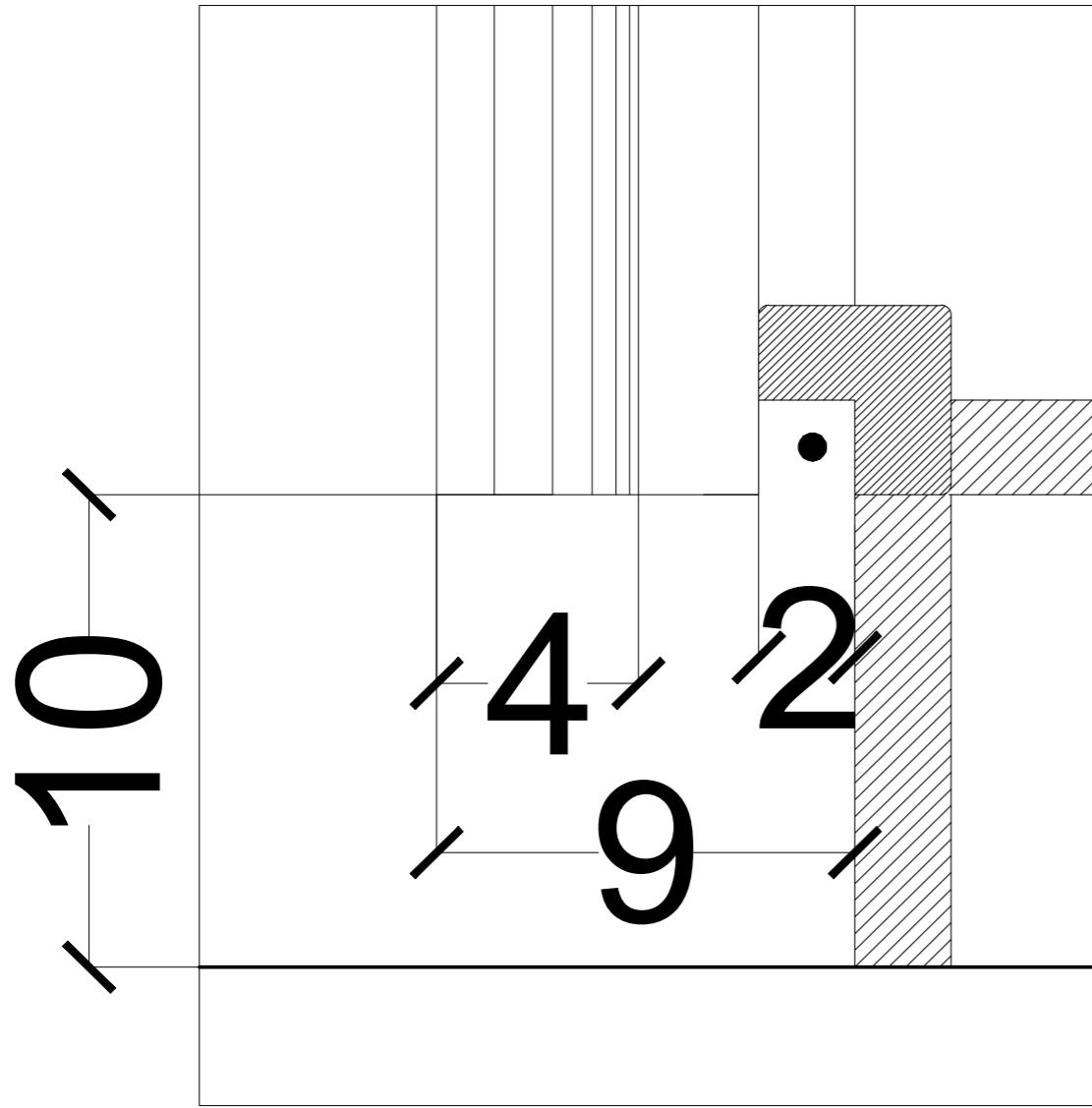
DESIGNER:
 MALLAH DESIGN STUDIO
 SAUDI ARABIA - ALKHOUBAR
 TEL: +966 54 300 0639 / +966 59 800 0874
 EMAIL: FT.MALLAH@GMAIL.COM

CLIENT:
SHISH & KHEBZA

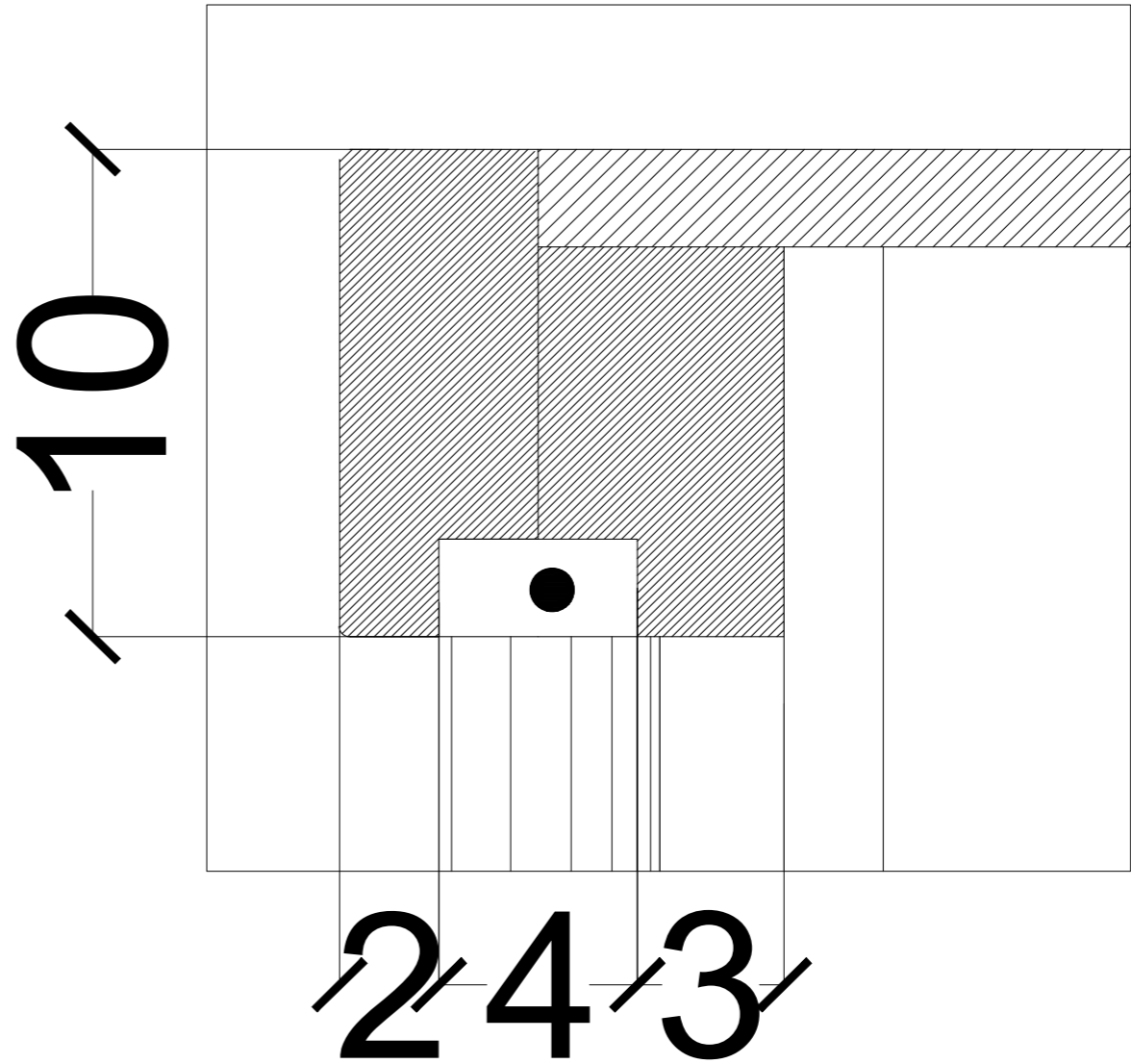
DRAWING TITLE:
JUESE COUNTER DETAILS

NOTE:
 1) Any dimensions given are in Centimeter unless stated otherwise.
 2) Do not scale from drawings, All dimension should be checked and clarified on site before proceeding with construction.
 3) Mallah design studio should be informed immediately in writing of any changes that happen on the project.

DATE:
 PAGE NO:
 1



D4



D5



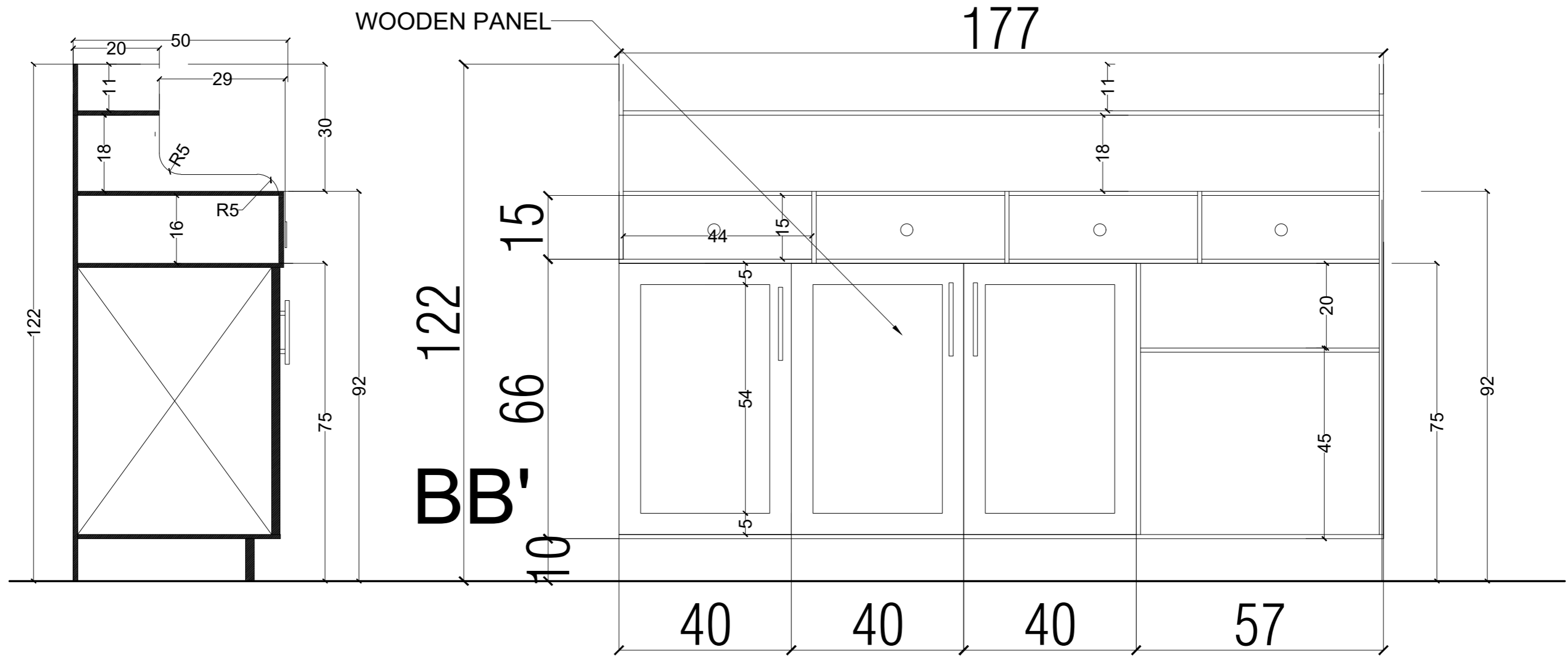
DESIGNER:
 MALLAH DESIGN STUDIO
 SAUDI ARABIA -ALKHOUBAR
 TEL:+966 54 300 0639 / +966 59 800 0874
 EMAIL:FT.MALLAH@GMAIL.COM

CLIENT:
 SHISH & KHEBZA

DRAWING TITLE:
 JUESE COUNTER DETAILS

NOTE:
 1) Any dimensions given are in Centimeter unless stated otherwise.
 2) Do not scale from drawings, All dimension should be checked and clarified on site before proceeding with construction.
 3) Mallah design studio should be informed immediately in writing of any changes that happen on the project.

DATE:
 PAGE NO:



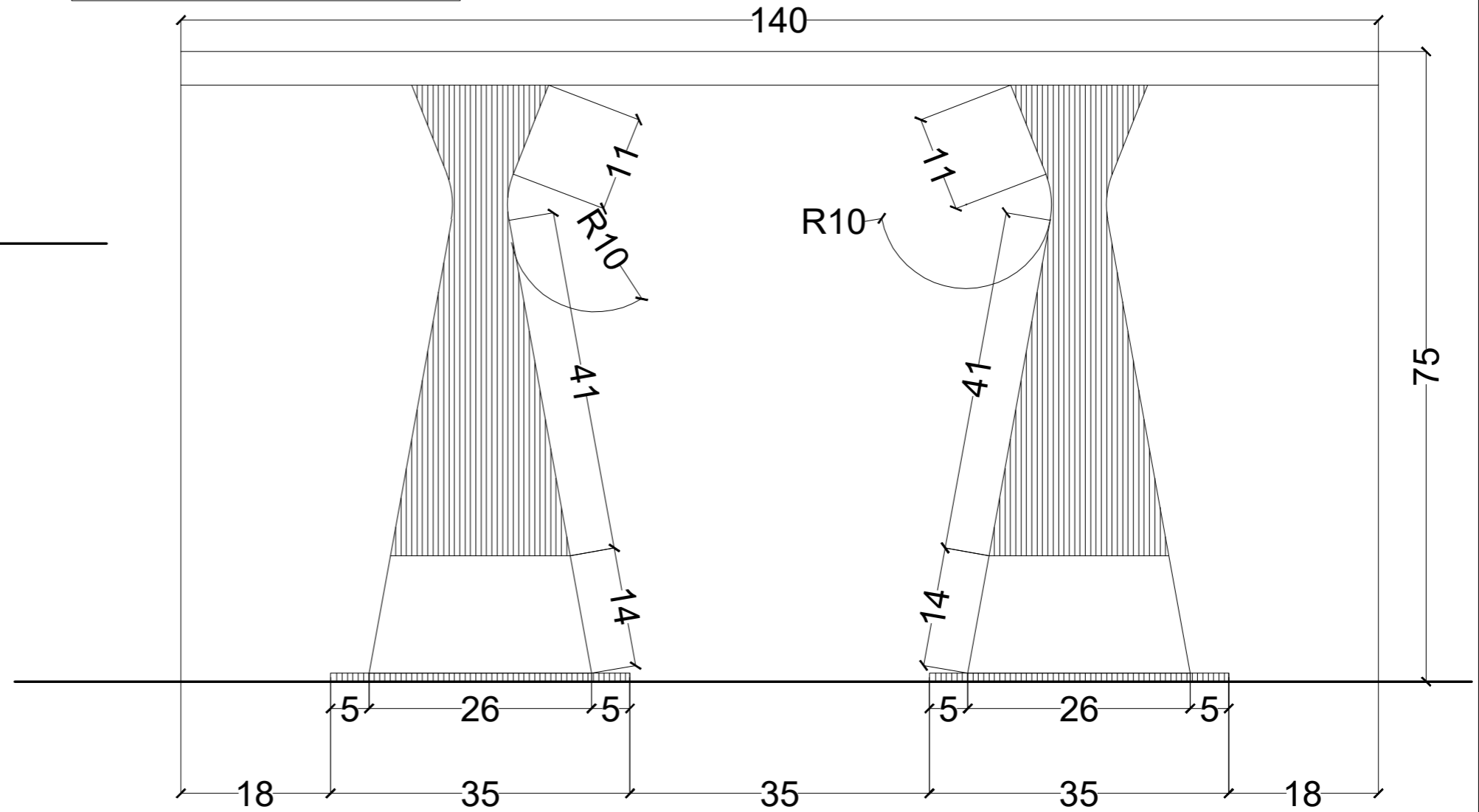
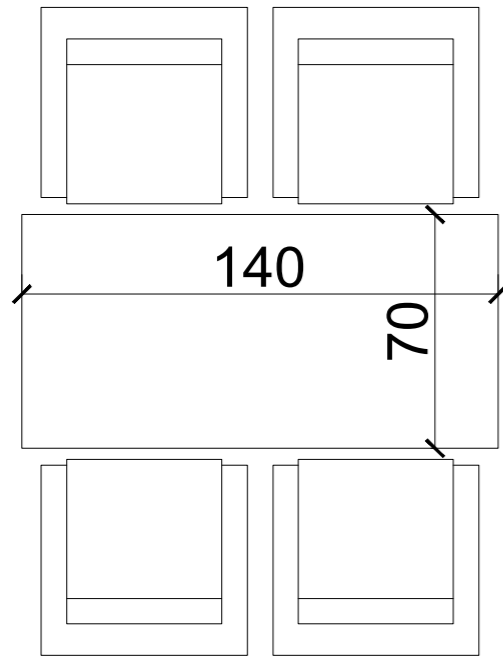
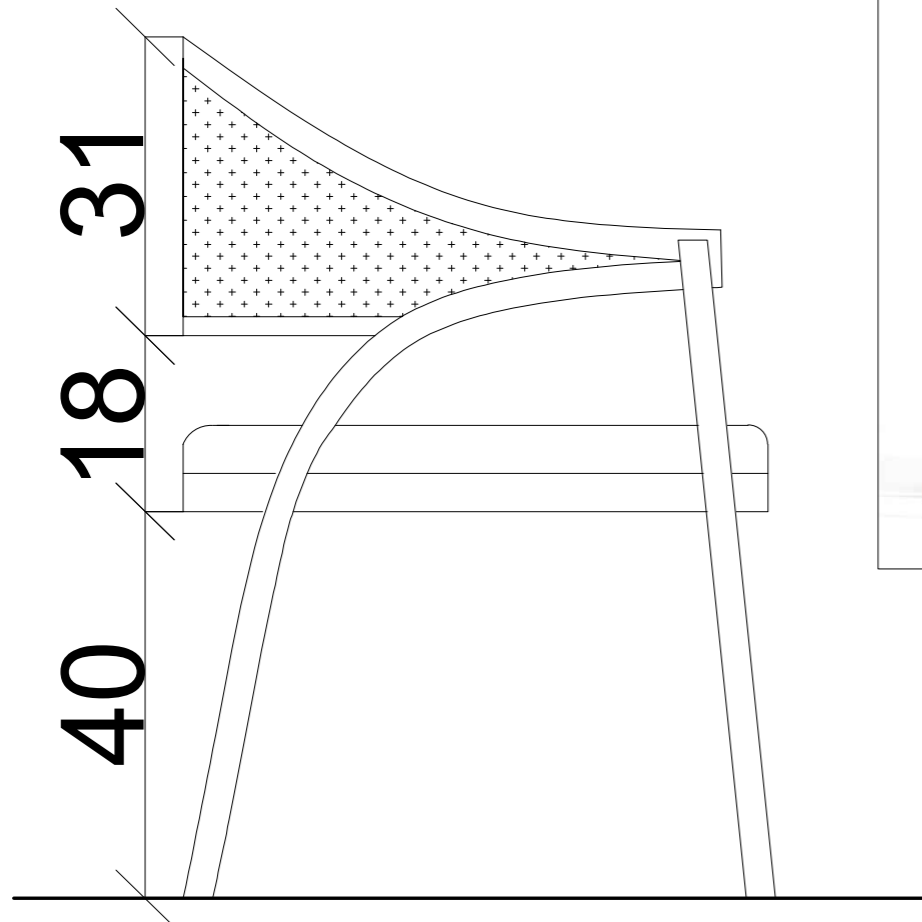
DESIGNER:
MALLAH DESIGN STUDIO
SAUDI ARABIA -ALKHOUBAR
TEL:+966 54 300 0639 / +966 59 800 0874
EMAIL:FT.MALLAH@GMAIL.COM

CLIENT:
SHISH & KHEBZA

DRAWING TITLE:

NOTE:
1) Any dimensions given are in Centimeter unless stated otherwise.
2) Do not scale from drawings, All dimension should be checked and clarified on site before proceeding with construction.
3) Mallah design studio should be informed immediately in writing of any changes that happen on the project.

DATE:
PAGE NO:



DESIGNER:
 MALLAH DESIGNN STUDIO
 SAUDI ARABIA -ALKHOUBAR
 TEL:+966 54 300 0639 / +966 59 800 0874
 EMAIL:FT.MALLAH@GMAIL.COM

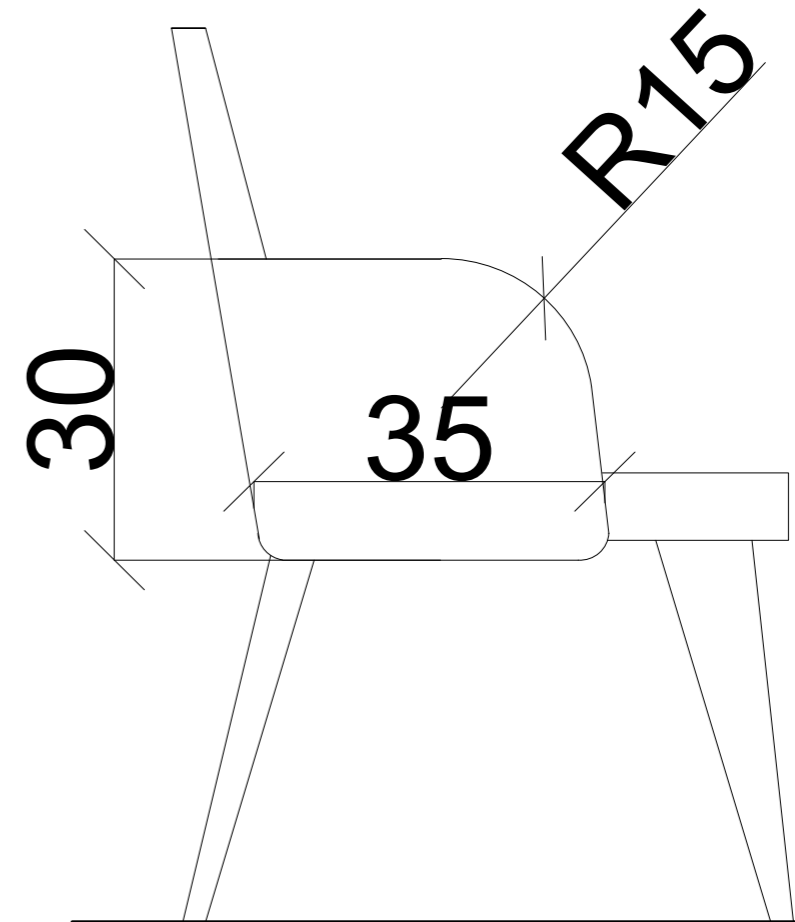
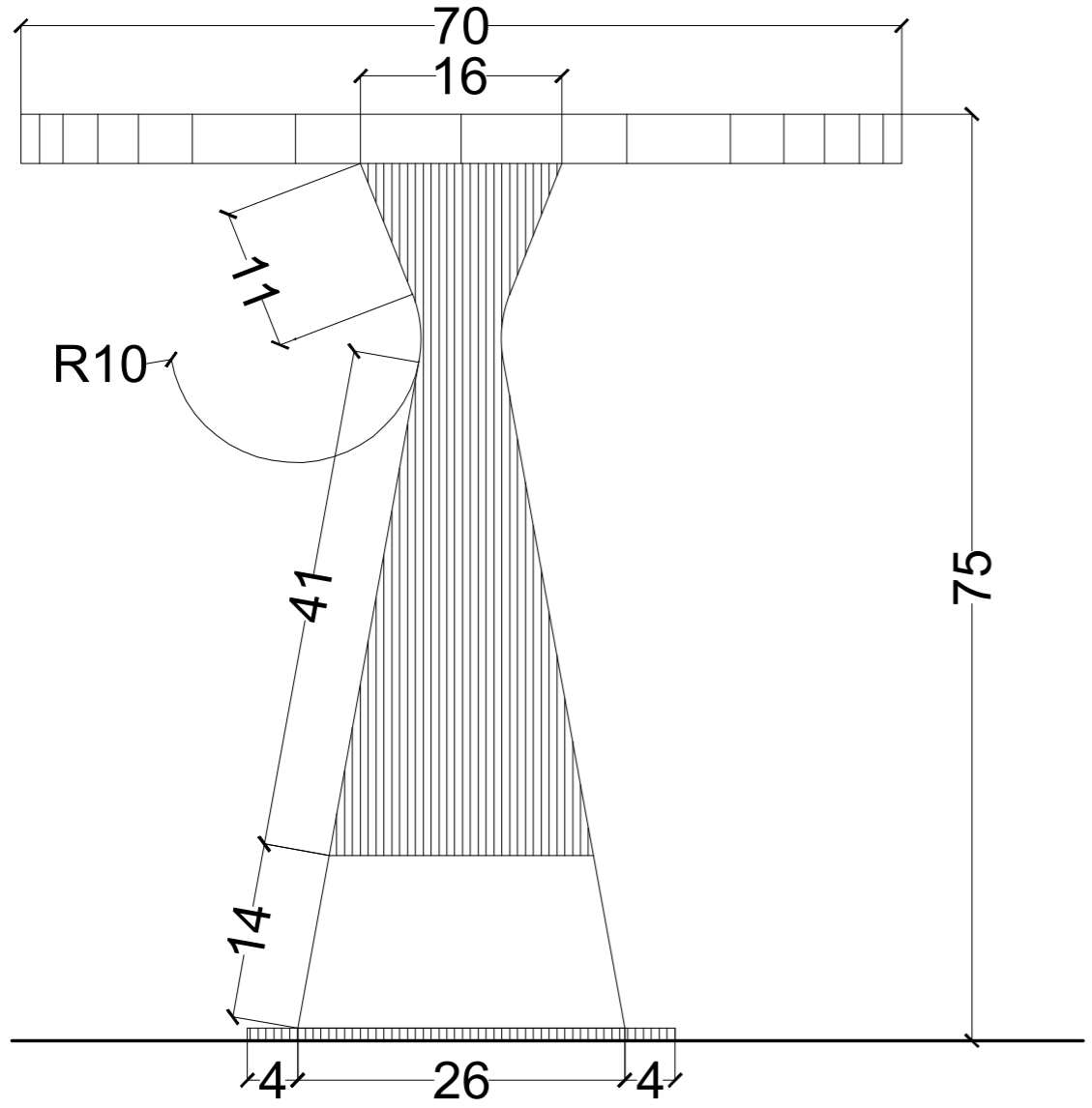
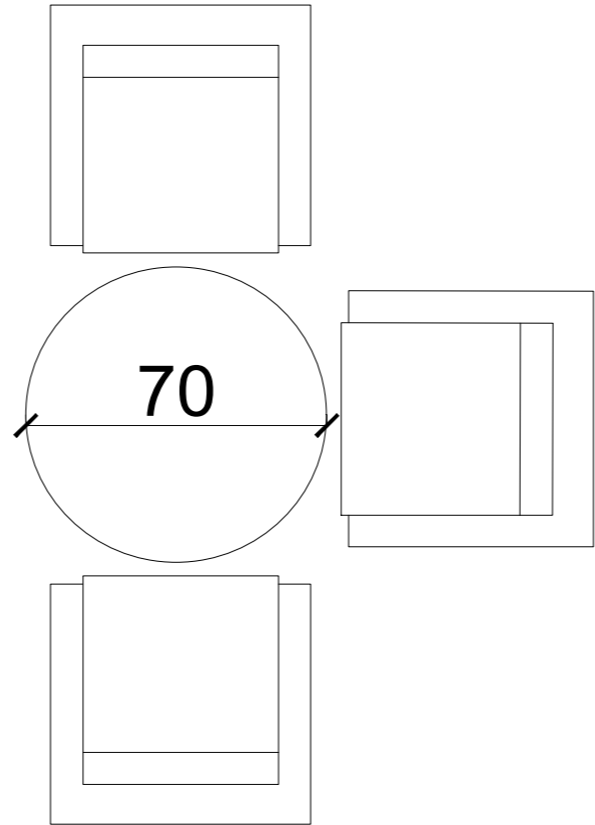
CLIENT:
SHISH & KHEBZA


DRAWING TITLE:
TABLE DETAILS

NOTE:
 1) Any dimensions given are in Centimeter unless stated otherwise.
 2) Do not scale from drawings, All dimension should be checked and clarified on site before proceeding with construction.
 3) Mallah design studio should be informed immediately in writing of any changes that happen on the project.

DATE: PAGE NO:

| | |
|-------|----------|
| | QUANTITY |
| CHAIR | 10 |



| | | | | | | |
|---|---|----------------|----------------|---|-------|----------|
|  MALLAH DESIGN STUDIO ARCHITECTURE & INTERIOR DESIGN | DESIGNER: | CLIENT: | DRAWING TITLE: | NOTE: | DATE: | PAGE NO: |
| | MALLAH DESIGN STUDIO SAUDI ARABIA -ALKHOUBAR TEL:+966 54 300 0639 / +966 59 800 0874 EMAIL:FT.MALLAH@GMAIL.COM | SHISH & KHEBZA | TABLE DETAILS | 1) Any dimensions given are in Centimeter unless stated otherwise. 2) Do not scale from drawings, All dimension should be checked and clarified on site before proceeding with construction. 3) Mallah design studio should be informed immediately in writing of any changes that happen on the project. | | |




| | QUANTITY |
|-------------------|----------|
| RECTANGULAR TABLE | 8 |

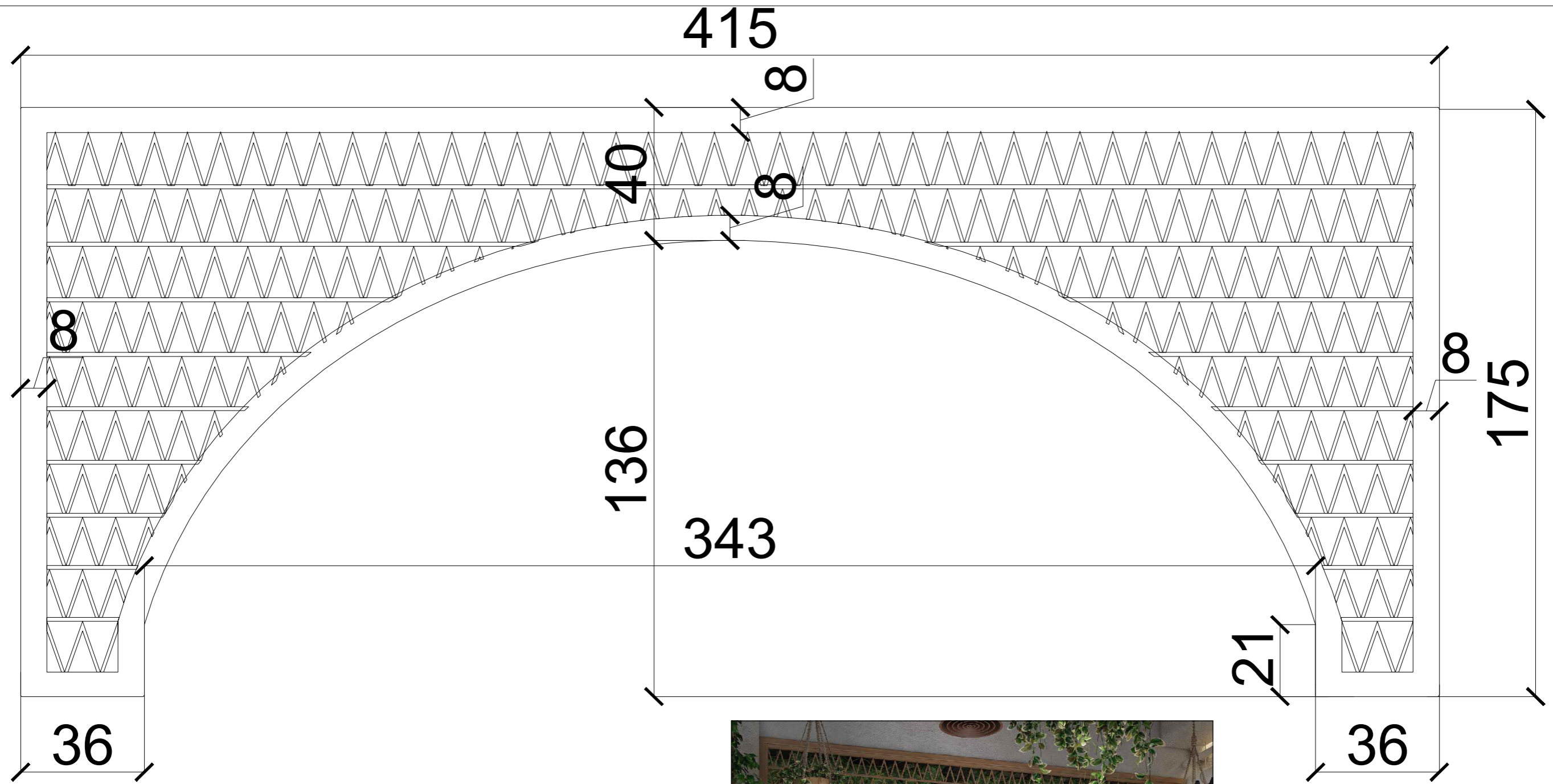
| | QUANTITY |
|-------|----------|
| CHAIR | 24 |



| | QUANTITY |
|--------------|----------|
| CIRCLE TABLE | 2 |



| | | | | | | |
|---|--|---------------------------|---------------------------------|--|-------|----------|
|  MALLAH DESIGN STUDIO ARCHITECTURE & INTERIOR DESIGN | DESIGNER: MALLAH DESIGN STUDIO SAUDI ARABIA -ALKHOUBAR TEL:+966 54 300 0639 / +966 59 800 0874 EMAIL:FT.MALLAH@GMAIL.COM | CLIENT: SHISH & KHEBZA | DRAWING TITLE: TABLE DETAILS | NOTE: 1) Any dimensions given are in Centimeter unless stated otherwise. 2) Do not scale from drawings, All dimension should be checked and clarified on site before proceeding with construction. 3) Mallah design studio should be informed immediately in writing of any changes that happen on the project. | DATE: | PAGE NO: |
| | | | | | | |



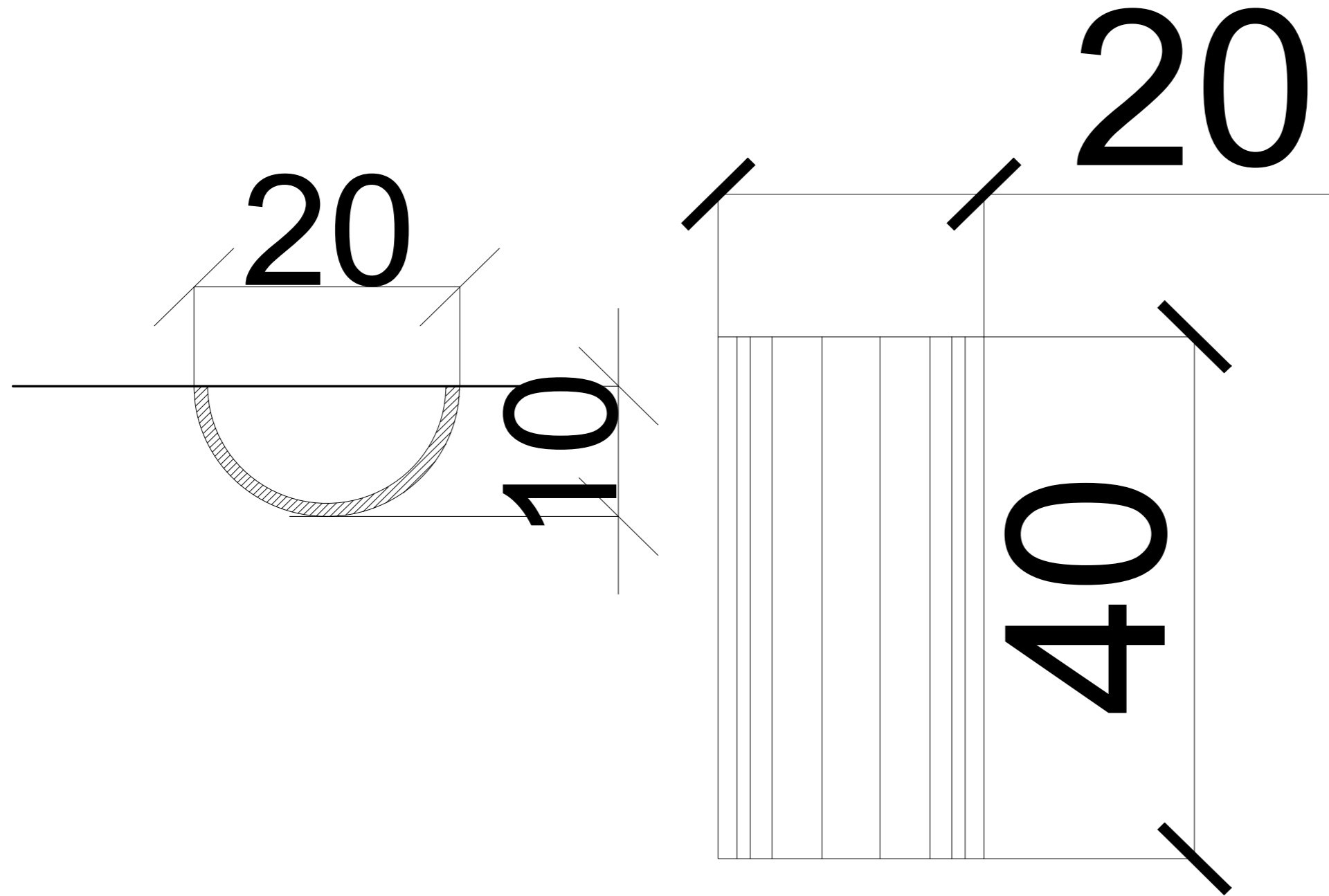
DESIGNER:
MALLAH DESIGN STUDIO
SAUDI ARABIA -ALKHOUBAR
TEL:+966 54 300 0639 / +966 59 800 0874
EMAIL:FT.MALLAH@GMAIL.COM

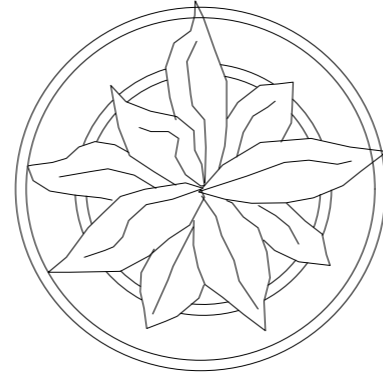
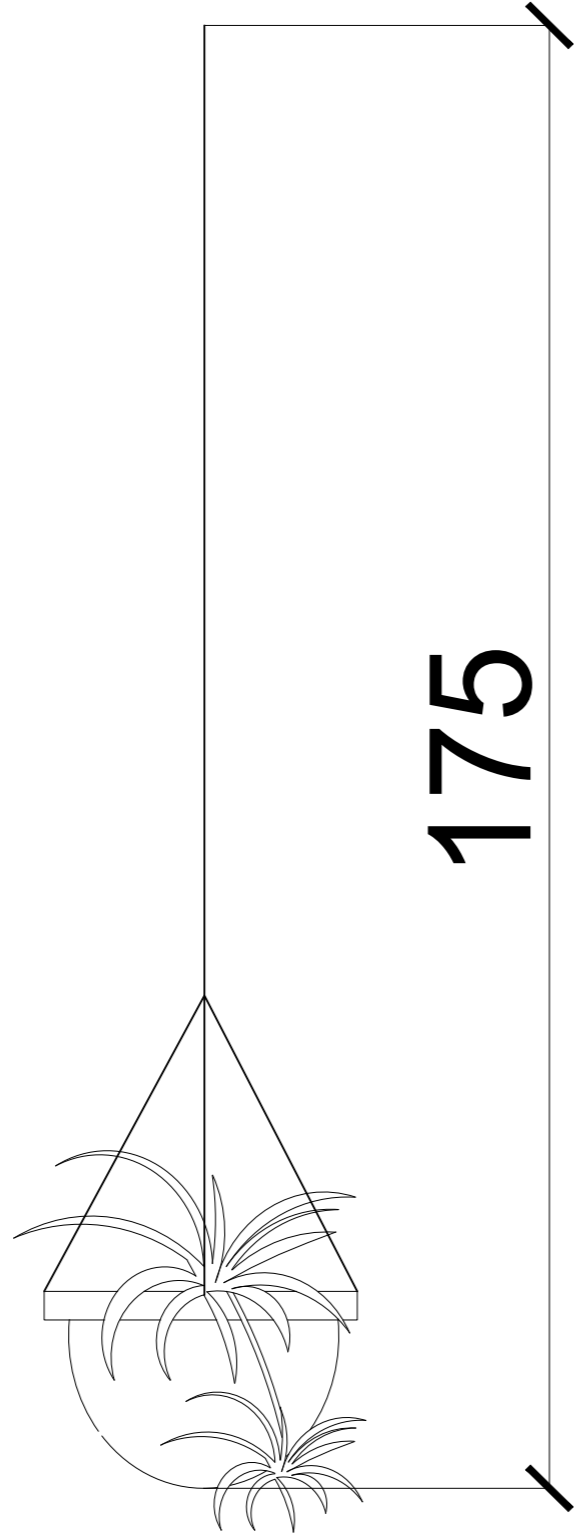
CLIENT:
SHISH & KHEBZA

DRAWING TITLE:
DETAILS

NOTE:
1) Any dimensions given are in Centimeter unless stated otherwise.
2) Do not scale from drawings, All dimension should be checked and clarified on site before proceeding with construction.
3) Mallah design studio should be informed immediately in writing of any changes that happen on the project.

DATE:
PAGE NO:





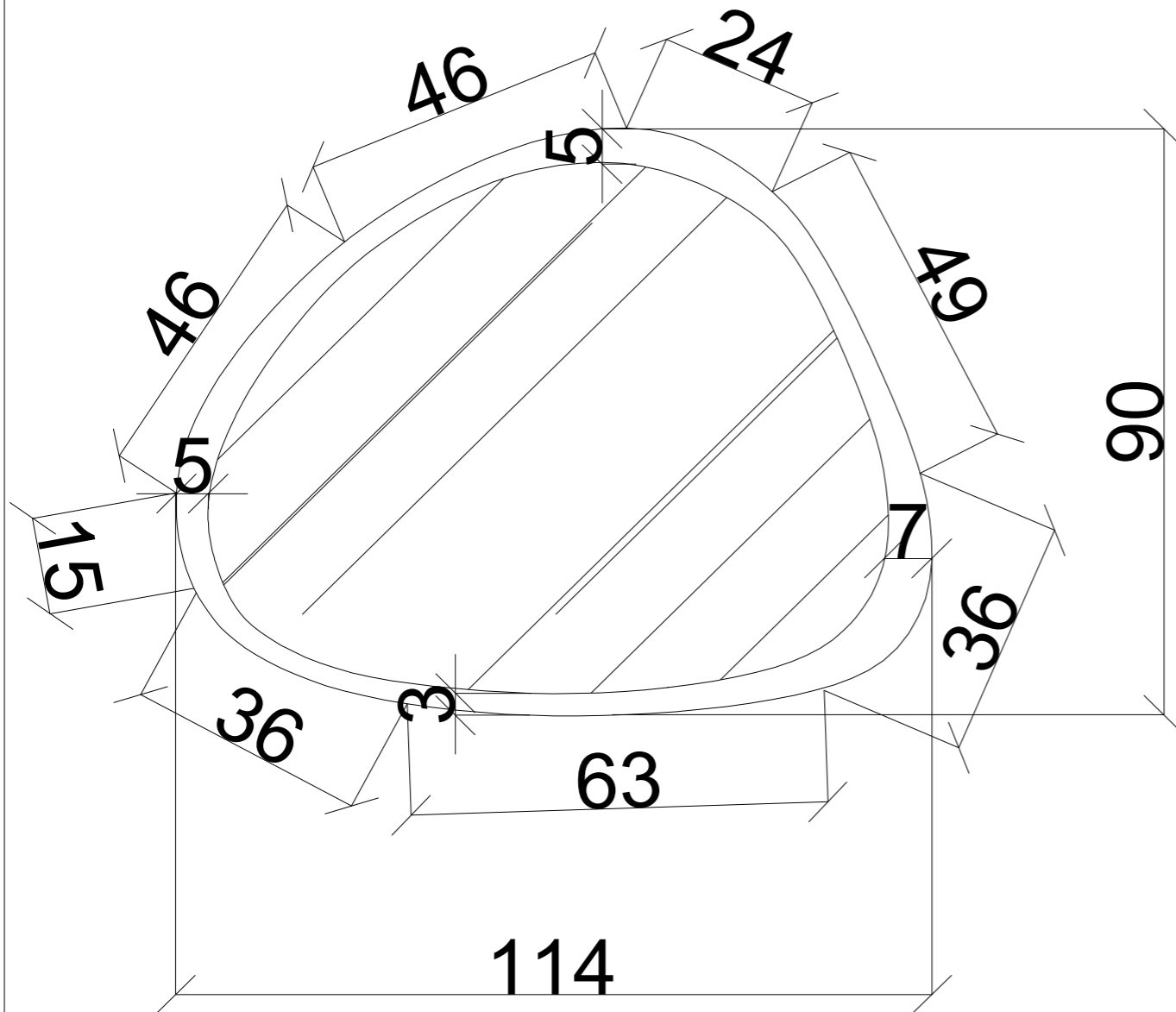
DESIGNER:
 MALLAH DESIGN STUDIO
 SAUDI ARABIA -ALKHOUBAR
 TEL:+966 54 300 0639 / +966 59 800 0874
 EMAIL:FT.MALLAH@GMAIL.COM

CLIENT:
SHISH & KHEBZA

DRAWING TITLE:
DETAILS

NOTE:
 1) Any dimensions given are in Centimeter unless stated otherwise.
 2) Do not scale from drawings, All dimension should be checked and clarified on site before proceeding with construction.
 3) Mallah design studio should be informed immediately in writing of any changes that happen on the project.

DATE:
 PAGE NO:



DESIGNER:
 MALLAH DESIGN STUDIO
 SAUDI ARABIA -ALKHOUBAR
 TEL:+966 54 300 0639 / +966 59 800 0874
 EMAIL:FT.MALLAH@GMAIL.COM

CLIENT:
 SHISH & KHEBZA

DRAWING TITLE:
 DETAILS

NOTE:
 1) Any dimensions given are in Centimeter unless stated otherwise.
 2) Do not scale from drawings, All dimension should be checked and clarified on site before proceeding with construction.
 3) Mallah design studio should be informed immediately in writing of any changes that happen on the project.

DATE:
 PAGE NO:

180

30

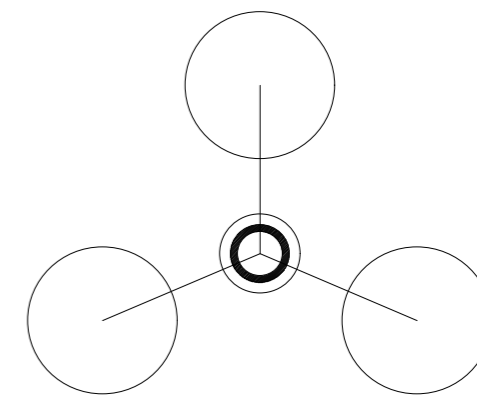
24

215

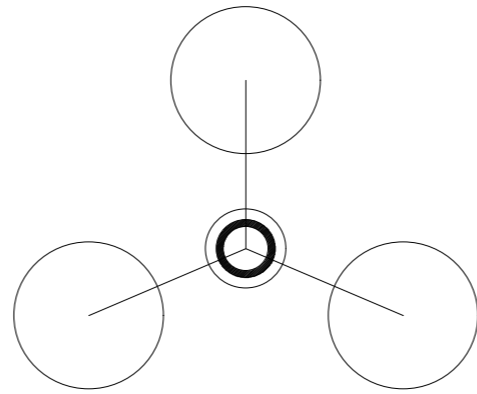
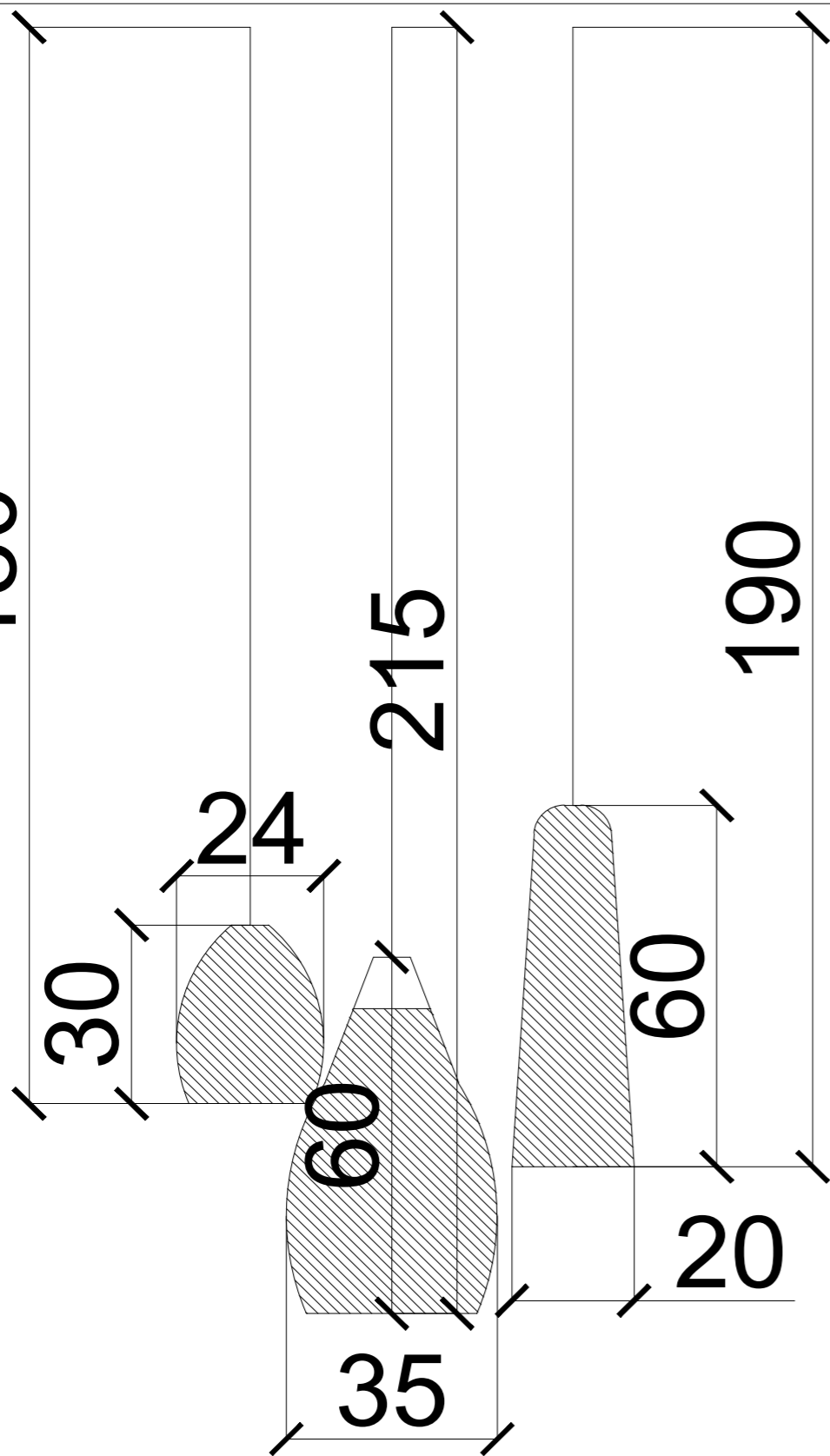
40

24

191



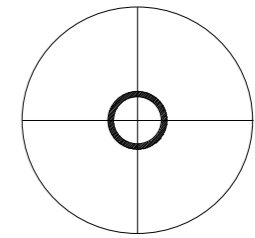
180



50

30

232



| | | | | | |
|--|--------------------------------------|----------------------------------|--|-------|----------|
| DESIGNER: MALLAH DESIGN STUDIO SAUDI ARABIA -ALKHOUBAR TEL:+966 54 300 0639 / +966 59 800 0874 EMAIL:FT.MALLAH@GMAIL.COM | CLIENT: SHISH & KHEBZA | DRAWING TITLE: DETAILS | NOTE: 1) Any dimensions given are in Centimeter unless stated otherwise. 2) Do not scale from drawings, All dimension should be checked and clarified on site before proceeding with construction. 3) Mallah design studio should be informed immediately in writing of any changes that happen on the project. | DATE: | PAGE NO: |
|--|--------------------------------------|----------------------------------|--|-------|----------|