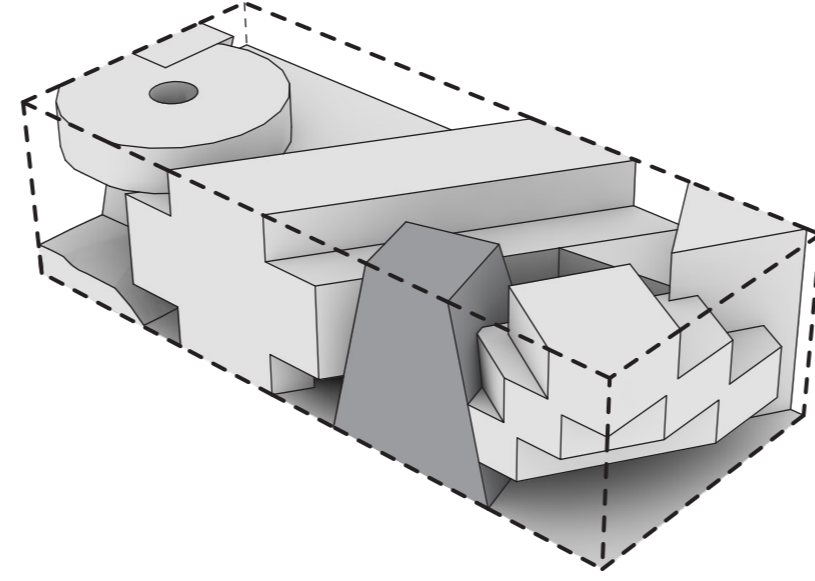
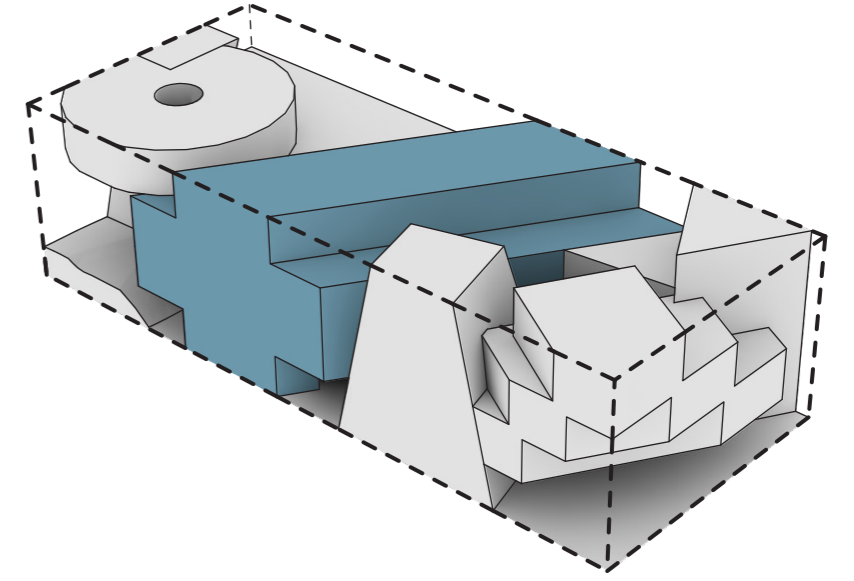


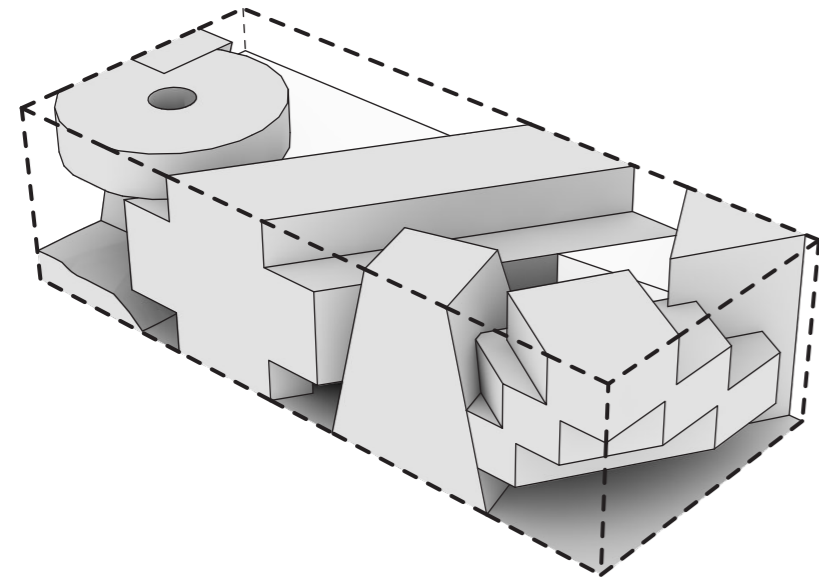
**THINKZONE**



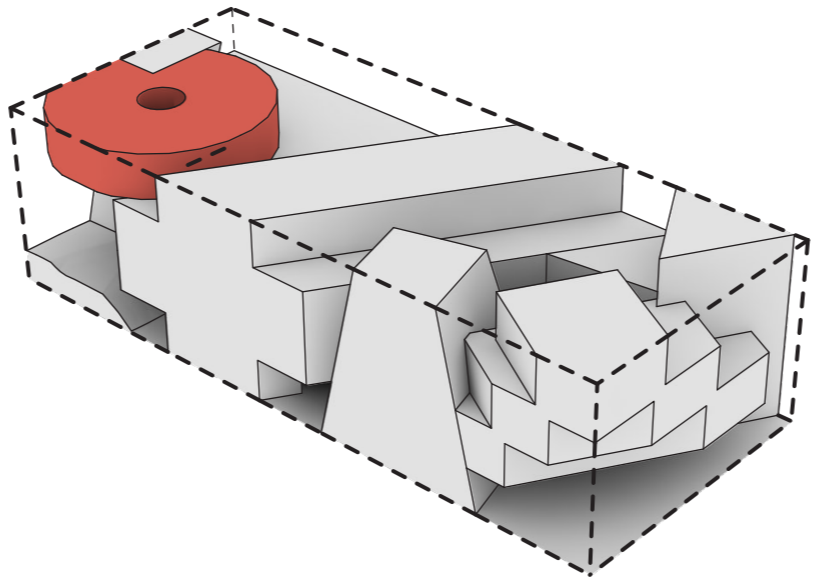
**FOODZONE**



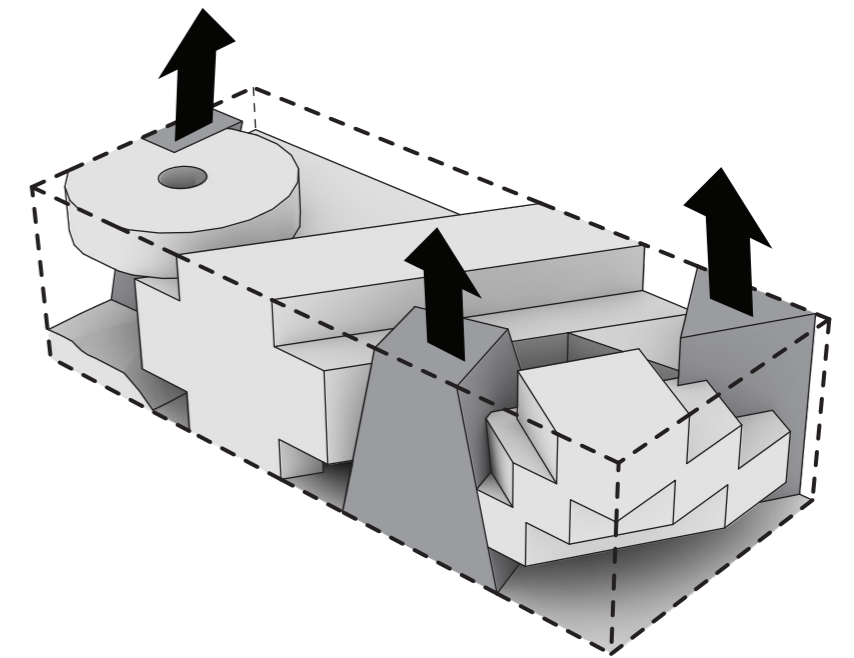
**PERFORMANCEZONE**



**PULSZONE**



**ZENZONE**



**VERTICAL FLOW**