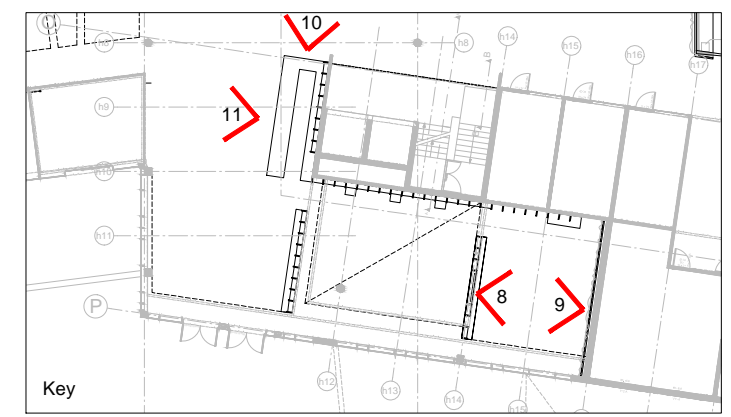
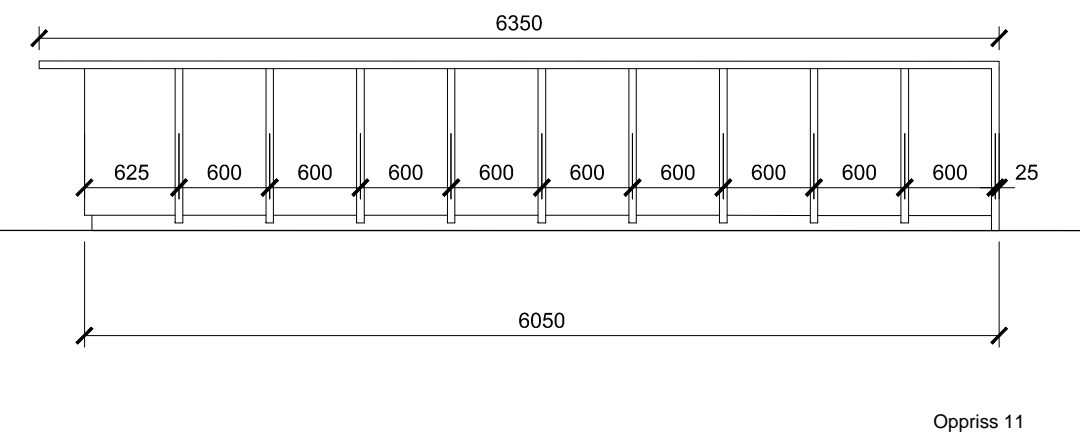
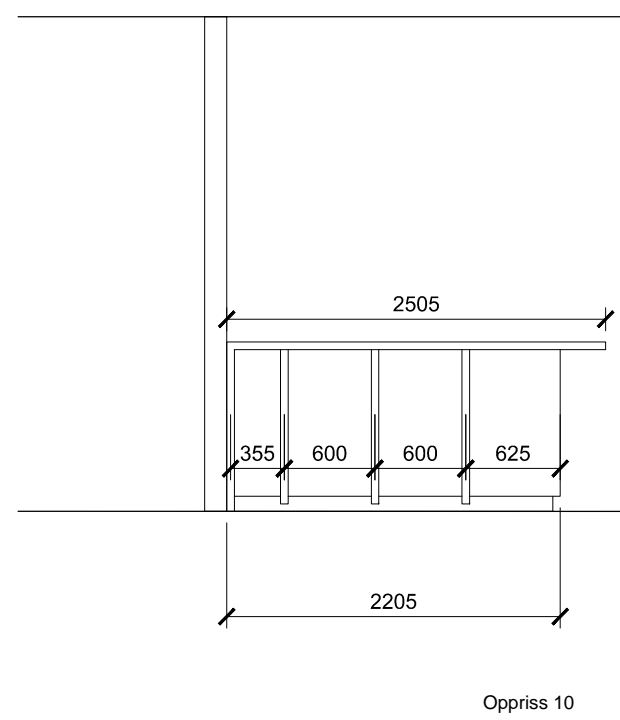


GREEN WALL
 Site Dimensions to be taken prior to manufacture. Green Wall to be full width within lounge - please refer to plan [PL] 10 for further info



Revisjon	Dato	Tegnet av:	Endringer
A	31.01.11	SG	For information
B	23.02.11	SG	For information
C	06.04.11	SG	Utsendelse til prosjekteringsgruppen
D	24.05.11	SG	Utsendelse til prosjekteringsgruppen
E	28.11.11	SG	Utsendelse til prosjekteringsgruppen

Prosjekt Hotel Expo Fornebu	Malestokk 1:25 @ A1 1:50 @ A3	Tittel Oppriss 8, 9, 10 & 11	
Tegnet av: / Kontrollert av: SG/TS	Dato 12.01.11	Tegningsnummer 037_[PL]23	

Do not scale. Use figured dimensions only. All dimensions to be verified on site prior to the commencement of any work or the production of any shop drawing. This drawing is to be read in conjunction with all related Architect's and Engineer's drawings and any other relevant information.