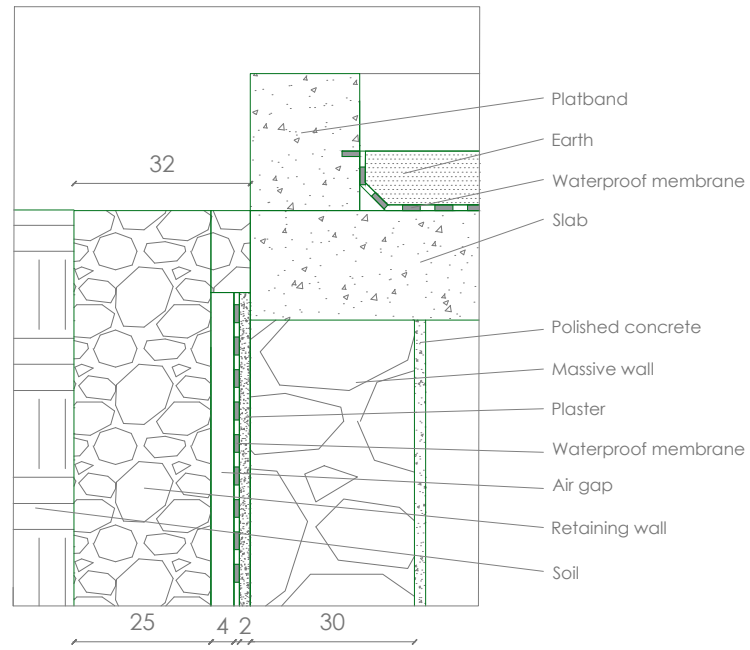
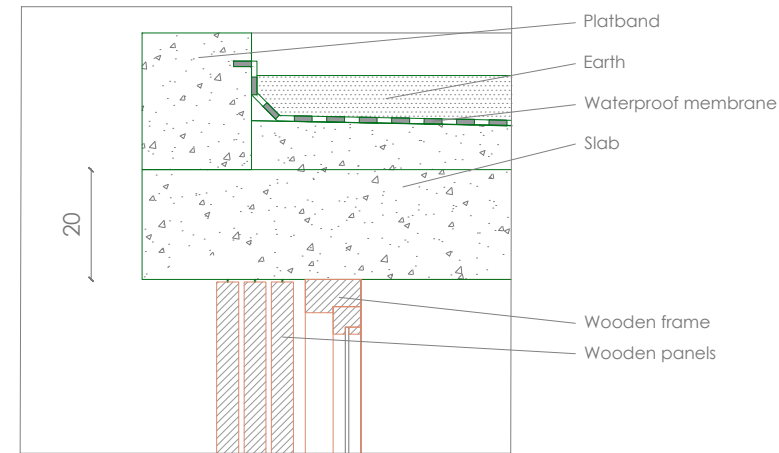


# Details. Vertical construction details

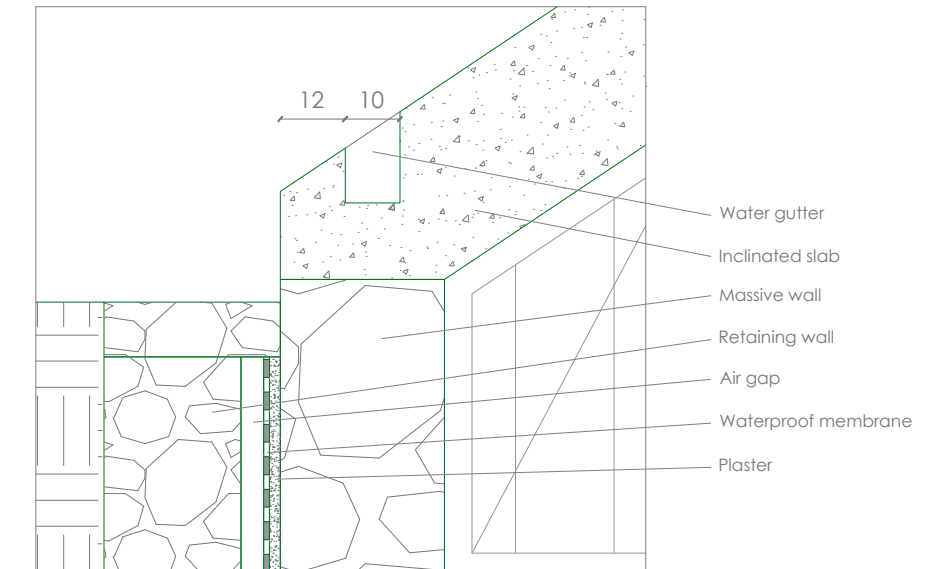
Detail of the encounter of:  
the flat roof with the massive wall with the retaining wall.



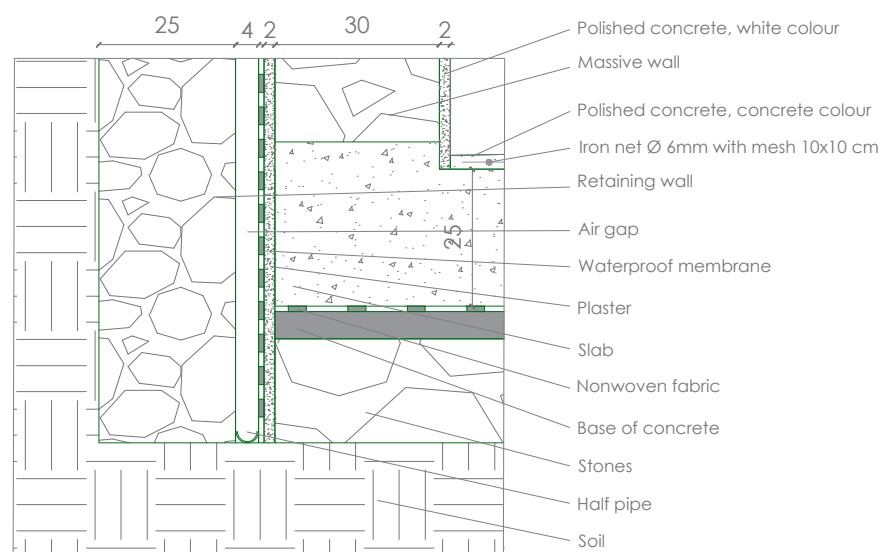
Detail of the encounter of:  
the flat roof with the window with the wooden panes.



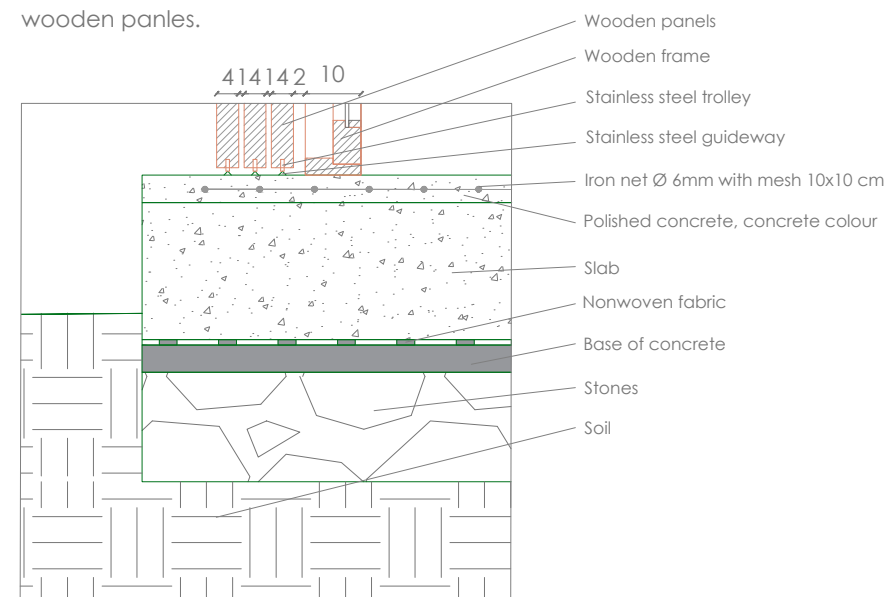
Detail of the encounter of:  
the inclined roof with the massive wall with the retaining wall.



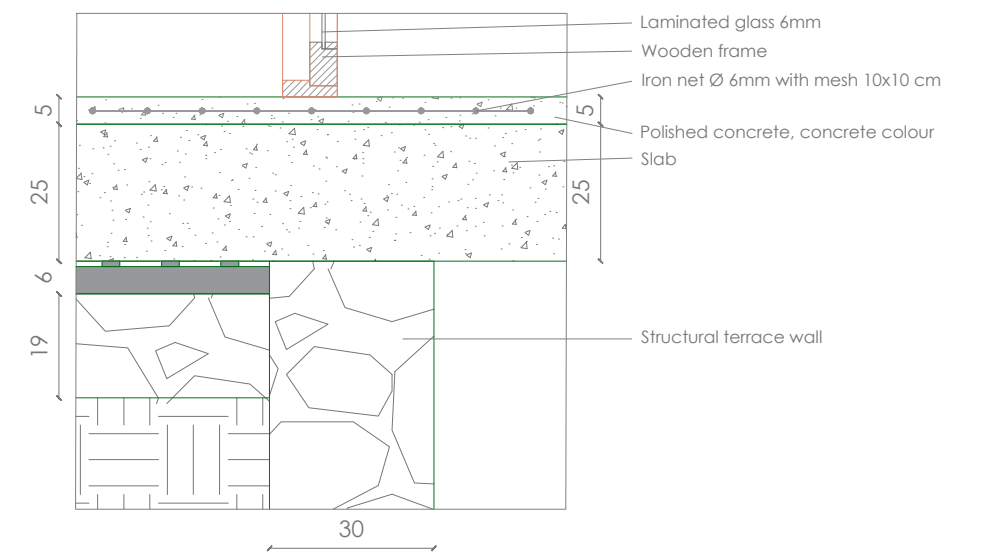
Detail of the encounter of:  
the floor with the massive wall with the retaining wall.



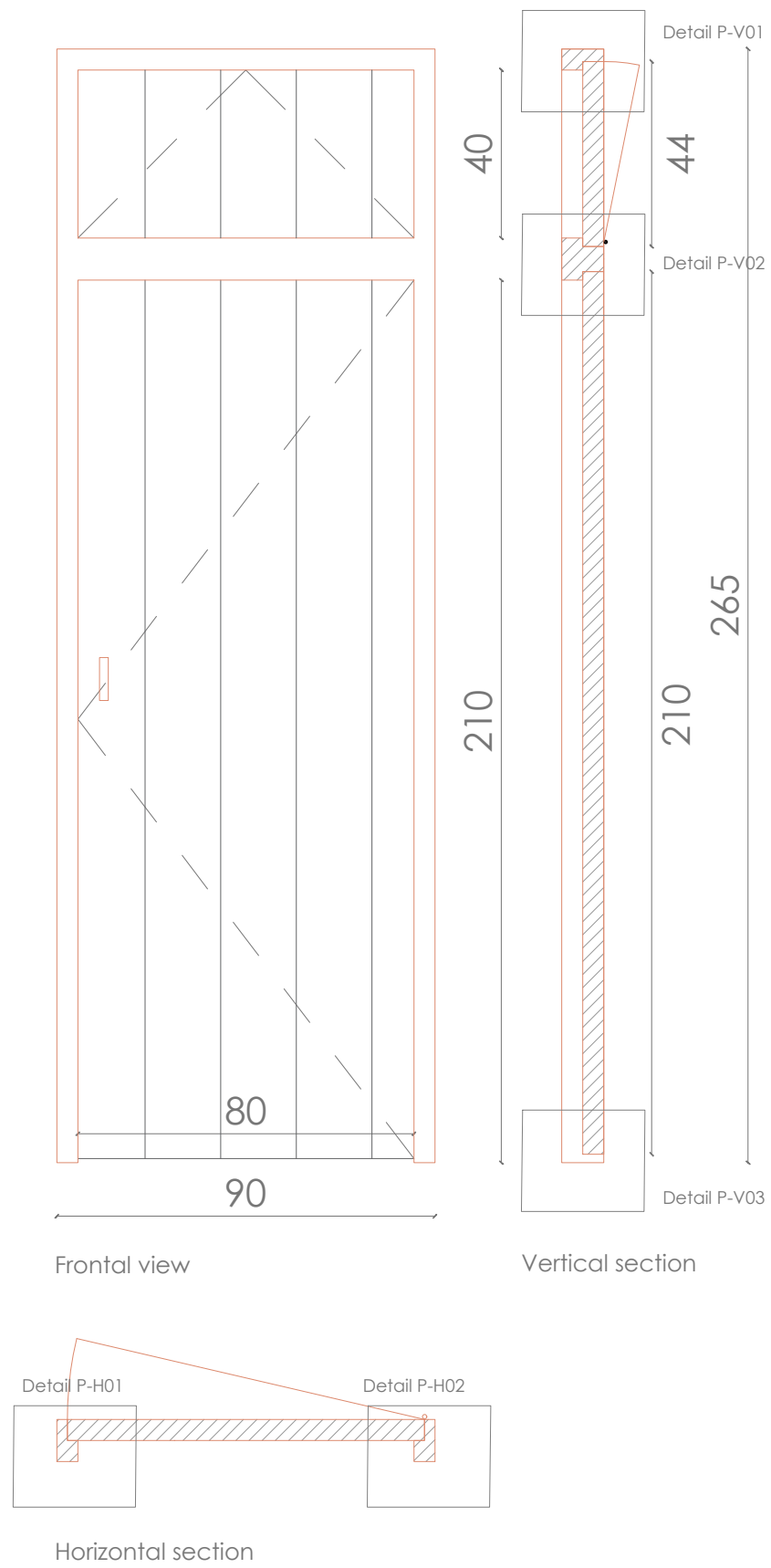
Detail of the encounter of:  
the floor with the window with the wooden panes.



Detail of the encounter of:  
the floor with the veranda window with the structural terrace wall.

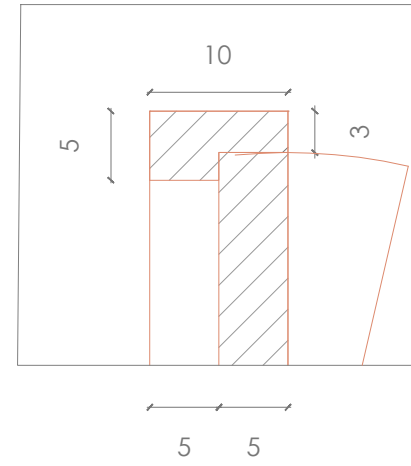


Details. Door type 90

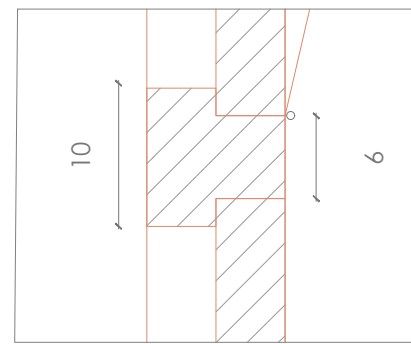


Vertical details

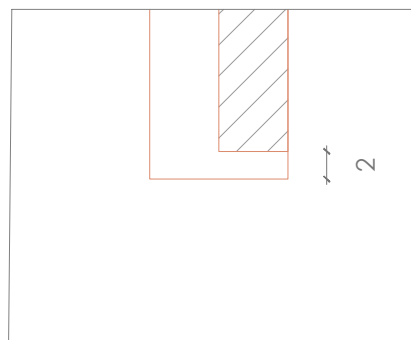
Detail P-V01



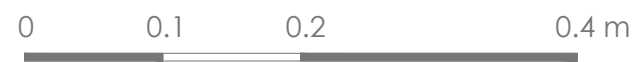
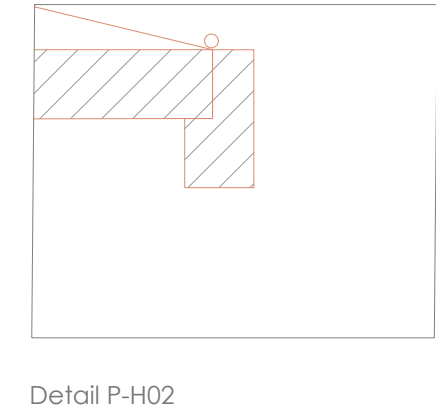
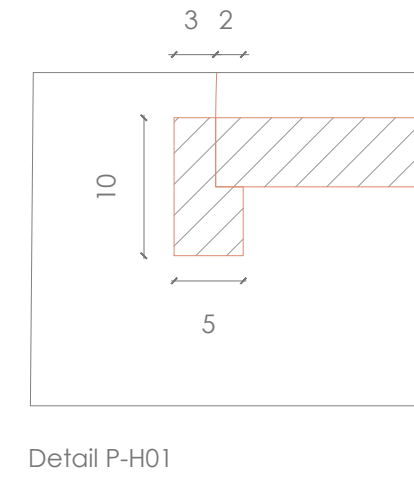
Detail P-V02



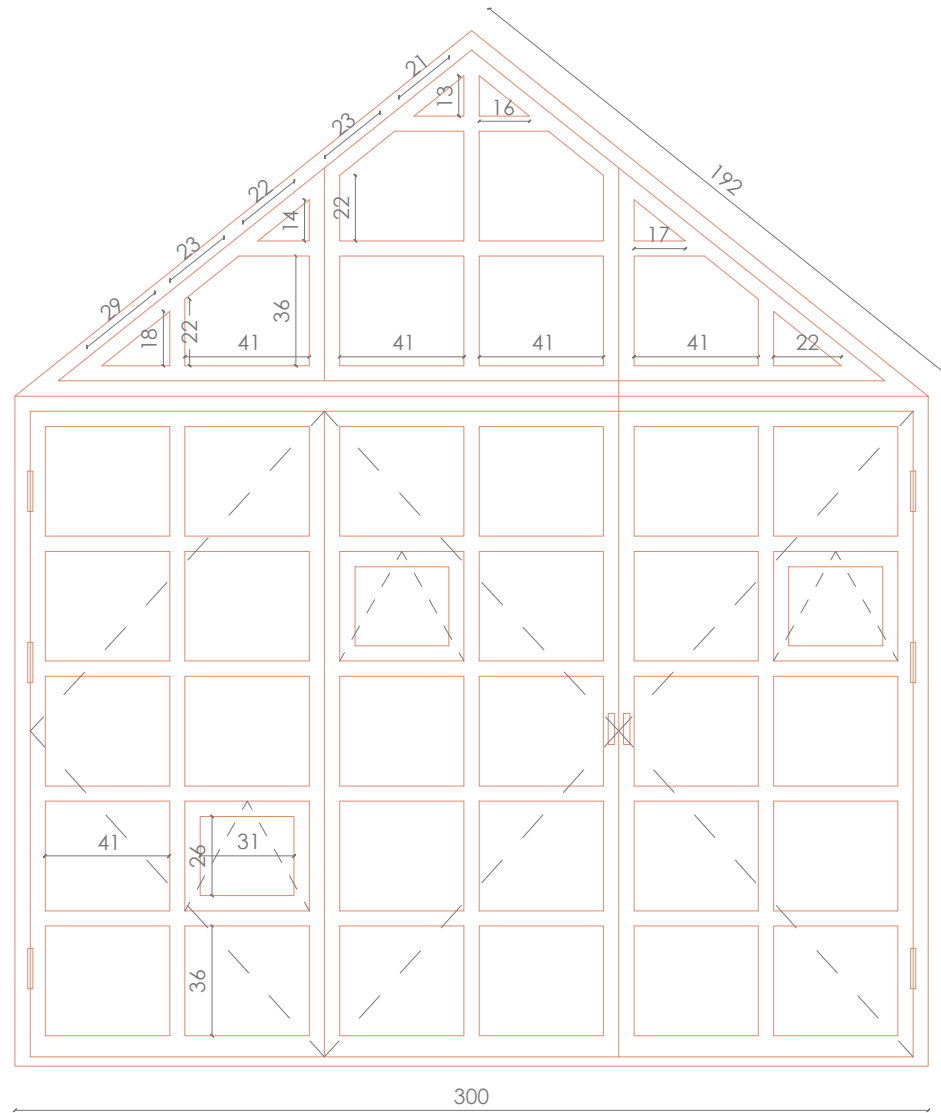
Detail P-V03



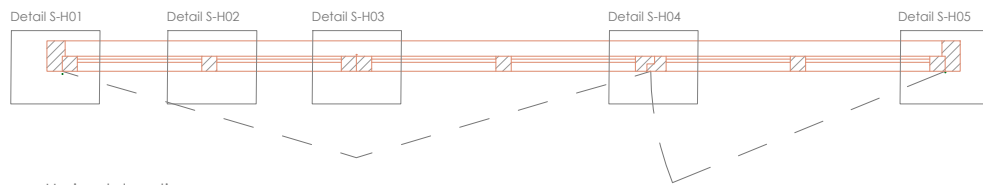
Horizontal details



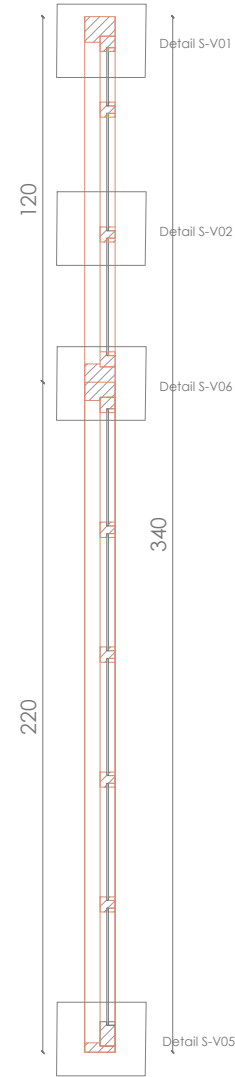
Details. Window type 300 B



Frontal view

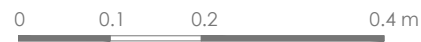
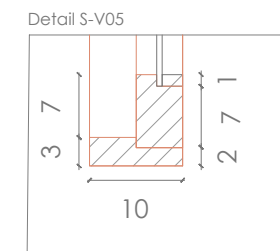
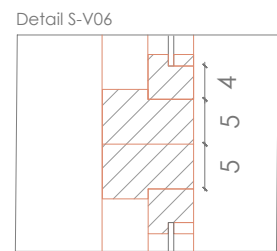
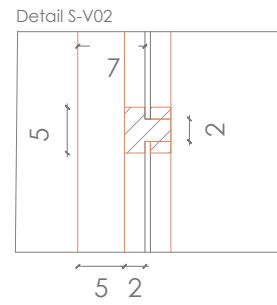
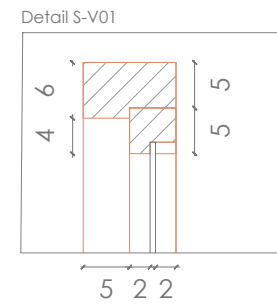


Horizontal section



Vertical section

Vertical details



Horizontal details

