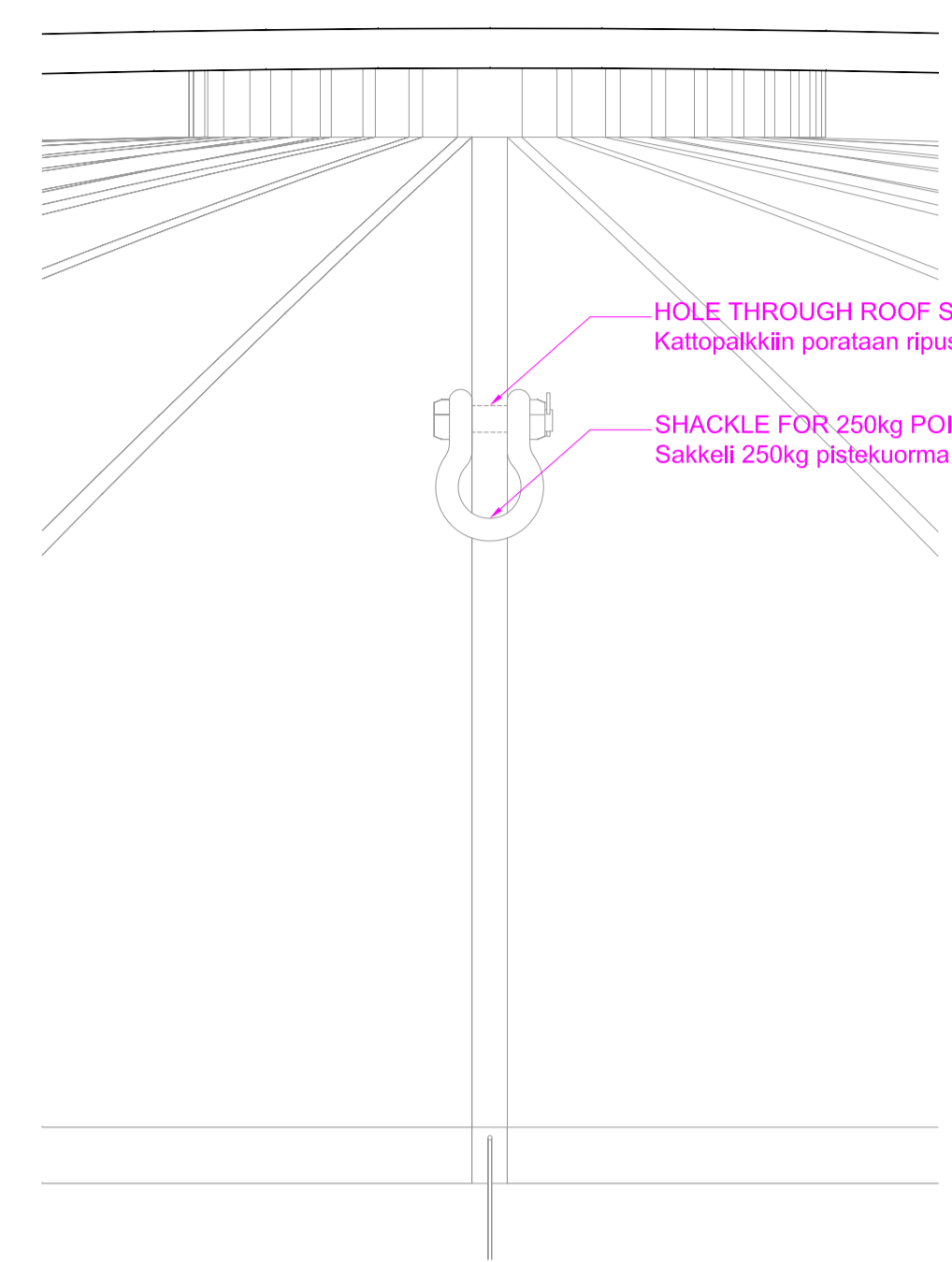
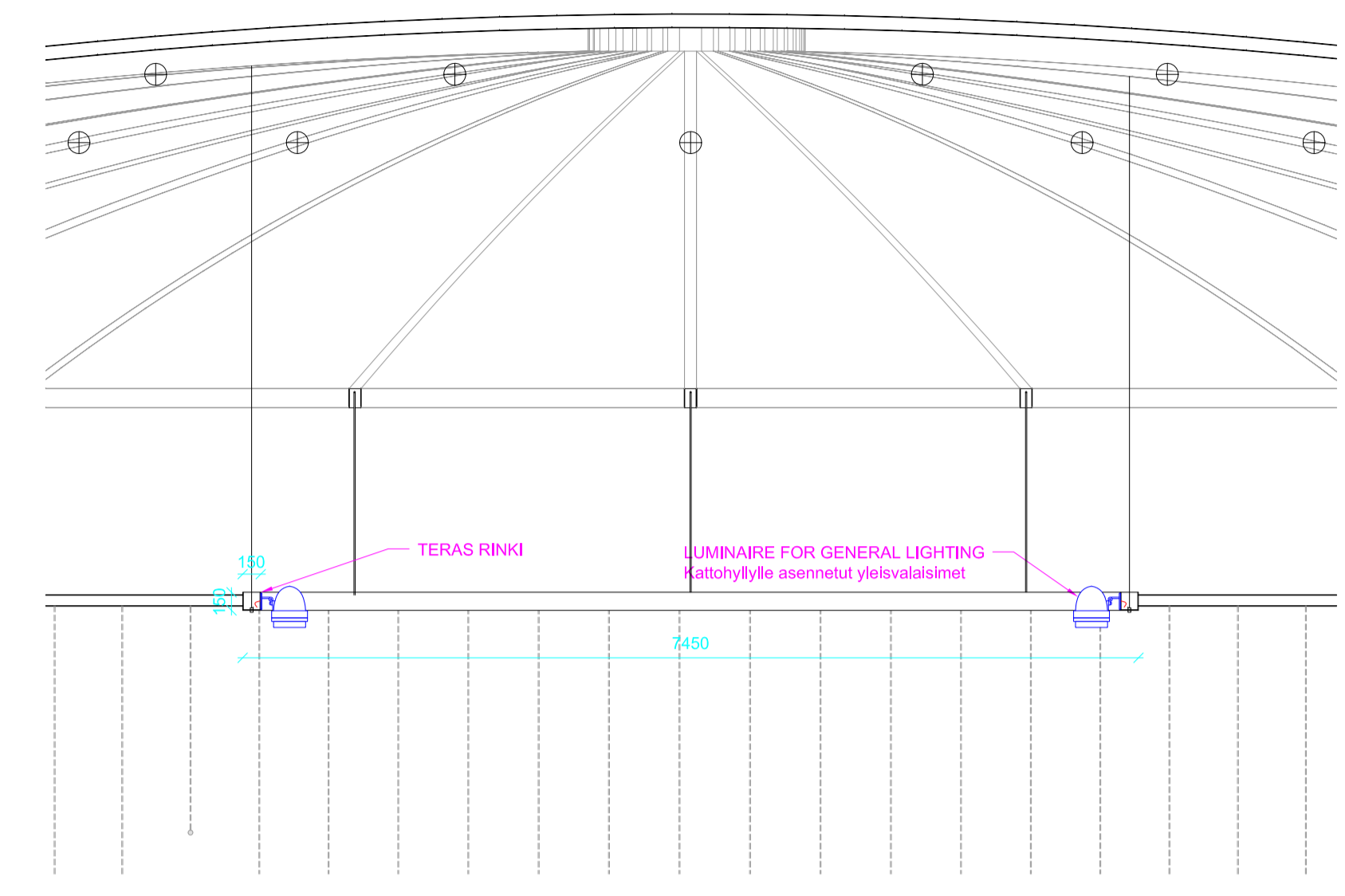


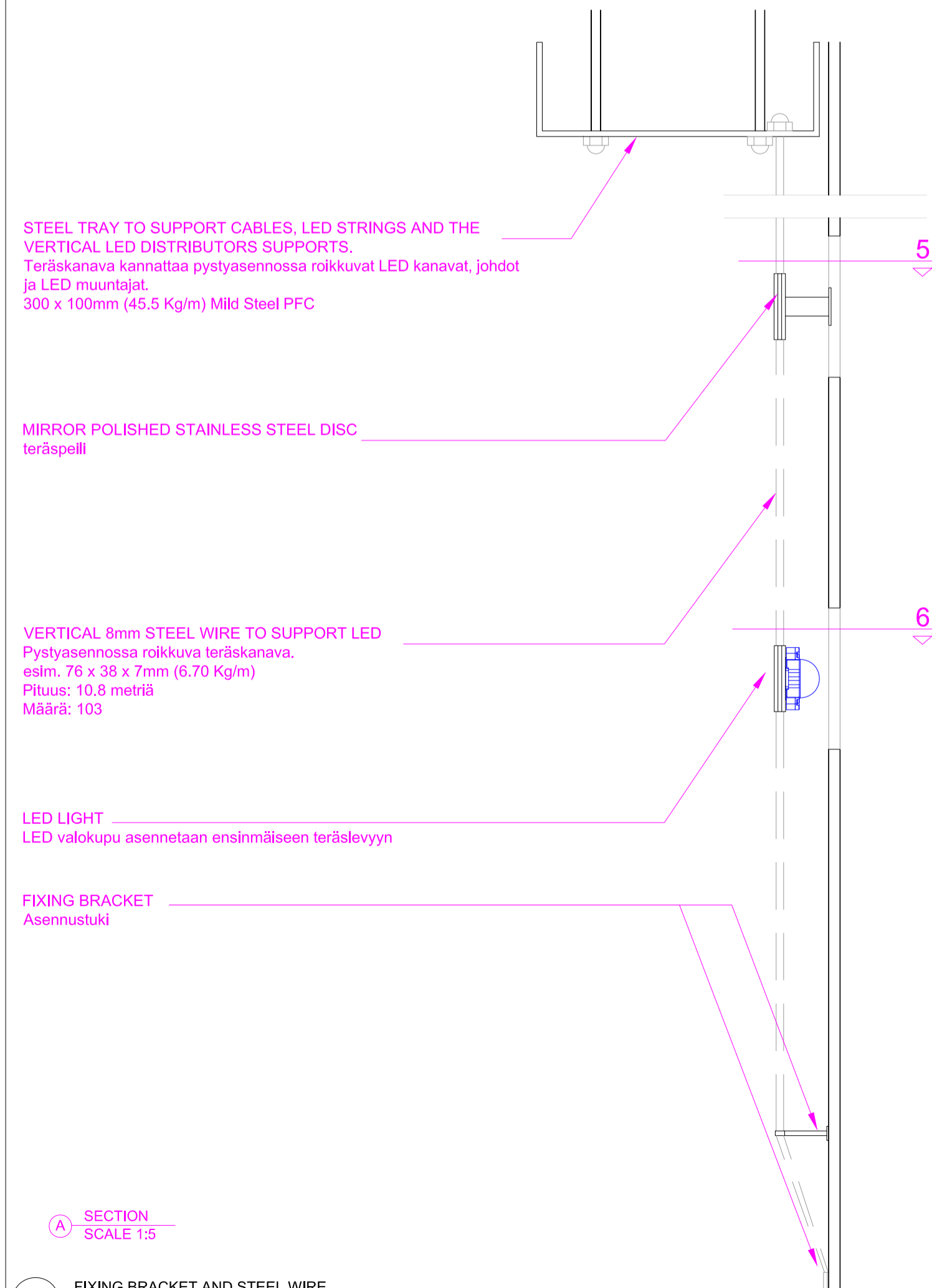
1 POLE LIGHTING DETAIL + FLOODLIGHTING
Pylväs valaisin detaji



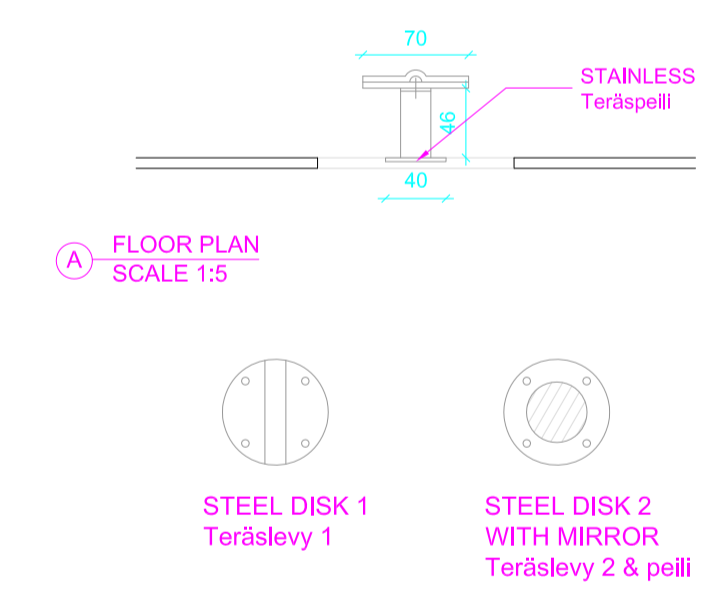
2 RIGGING POINT DETAIL, SCALE 1:20
Ripustuspaiste detaji



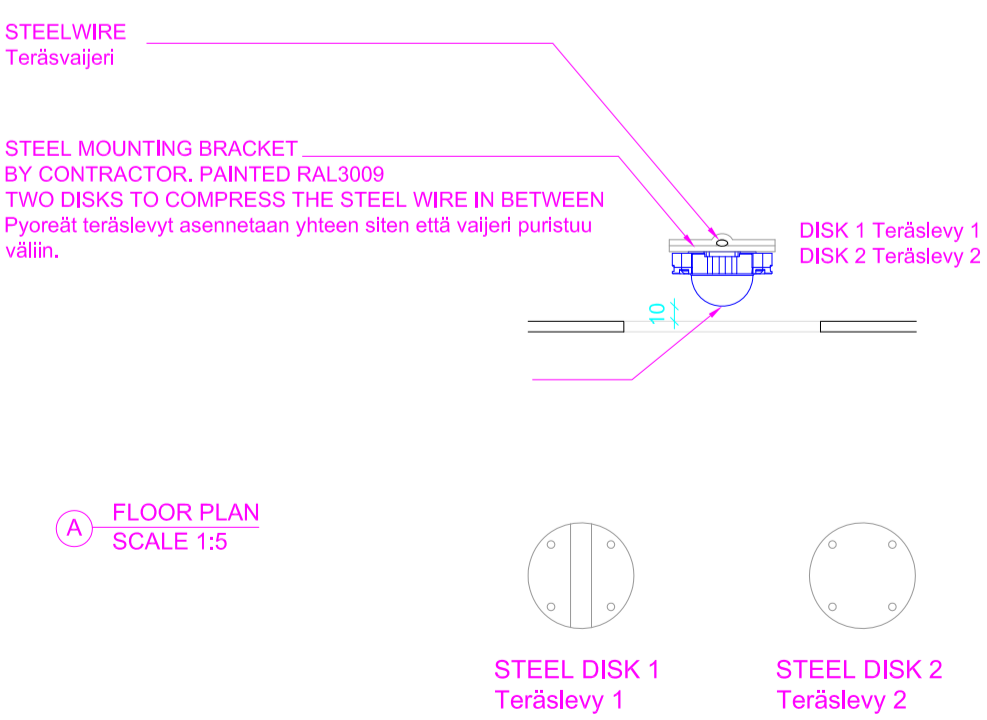
3 LUMINAIRE FOR GENERAL LIGHTING, SCALE 1:5
Valaisin detaji



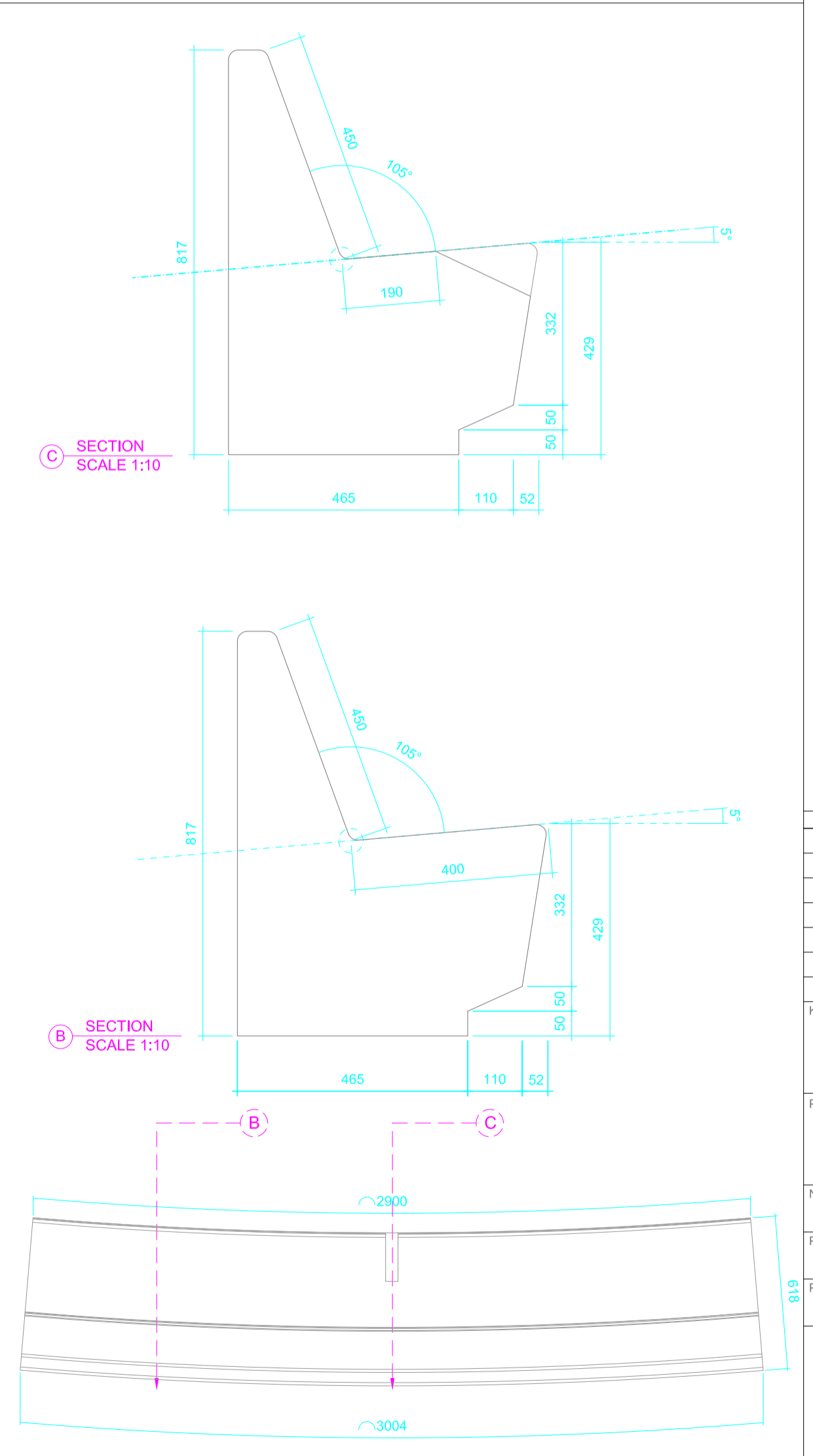
4 FIXING BRACKET AND STEEL WIRE LIGHTING DETAIL



5 MIRROR LIGHTING DETAIL SCALE 1:5



6 LED LIGHTING DETAIL SCALE 1:5



7 BENCH Betonipenkki Detaji

DISCLAIMER:
Do not scale from this drawing. For exact setting out refer to interior designers drawings.
Use only the dimensions indicated on the drawing. All dimensions in millimeters.
Contractor to verify all site dimensions and report back to the lighting designers.
Circuit lines indicate control intent only and do not illustrate the wiring design for the circuits.

	PVM	
-	13.10.11	KOMMENTOITAVAKSI
A	16.12.11	KOMMENTOITAVAKSI
KOHDE:		
KRUUNUVUORENRANNAN VALOTAIDEOS SÄILÖ 468		
PIIRUSTUKSEN SISÄLTÖ:		
VALOTAIDEOKSEN TOTEUTUSPERIAATTEET		
NR0:		
LDC005		
PIIRUSTUSLAJI:		MUUTOS:
LUONNOSUUNNITELMA		A
PVM:	MK:	
16-12-2011	@A1	
carra de san jerónimo 16, 2 dcha 28014 madrid spain 0034 911 885 851 info@lscd.com www.lscd.com		
londonmadrid		lighting design collective