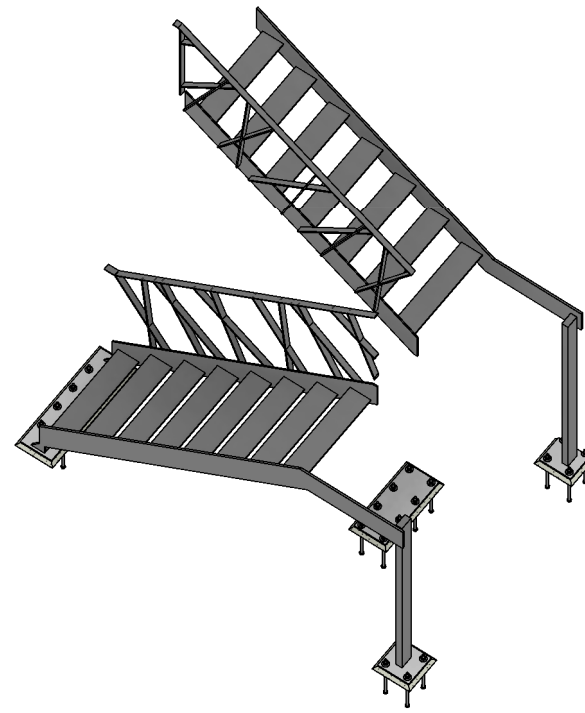
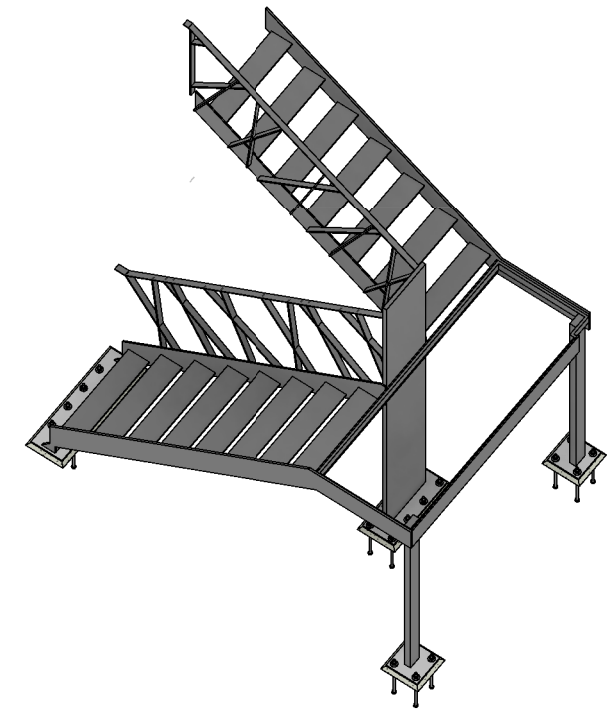


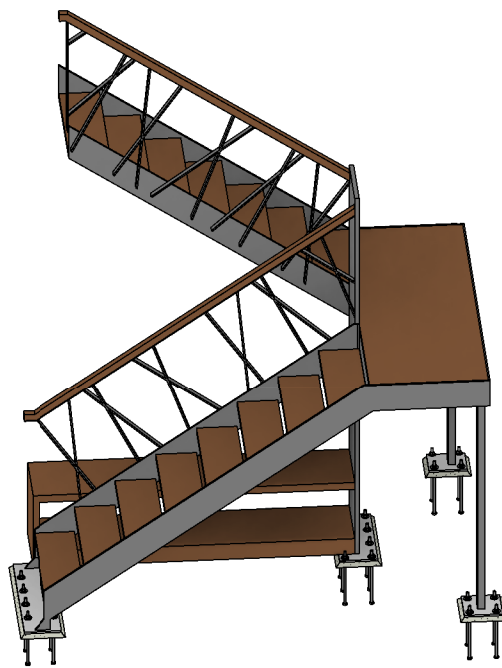
1 Scala-ferro-1



2 Scala-ferro-2



3 Scala-ferro-2a



4 Copia di Scala-ferro



Project _ Flat in Shaoxing _ MR. Wang

Object _

Scale _

Table _ **S 03**

Release Number _

Previous Release _

Designed _

Controlled _

ARCHITECT CARLO BANDINI
ARCHITECT STEFANIA GUIDI
ARCHITECT MANUELE MAORO