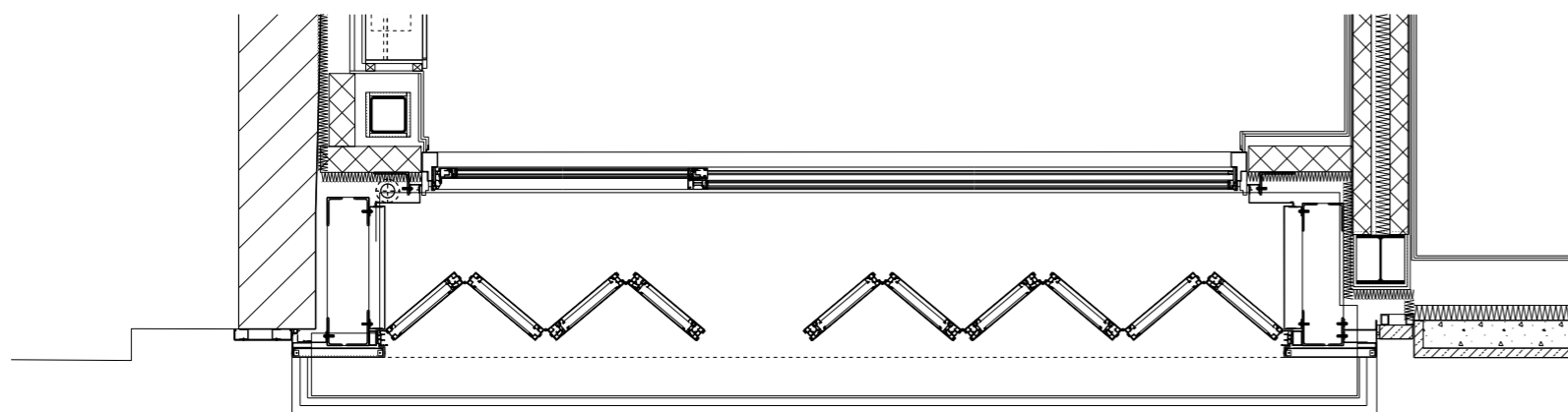
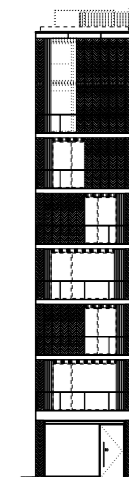
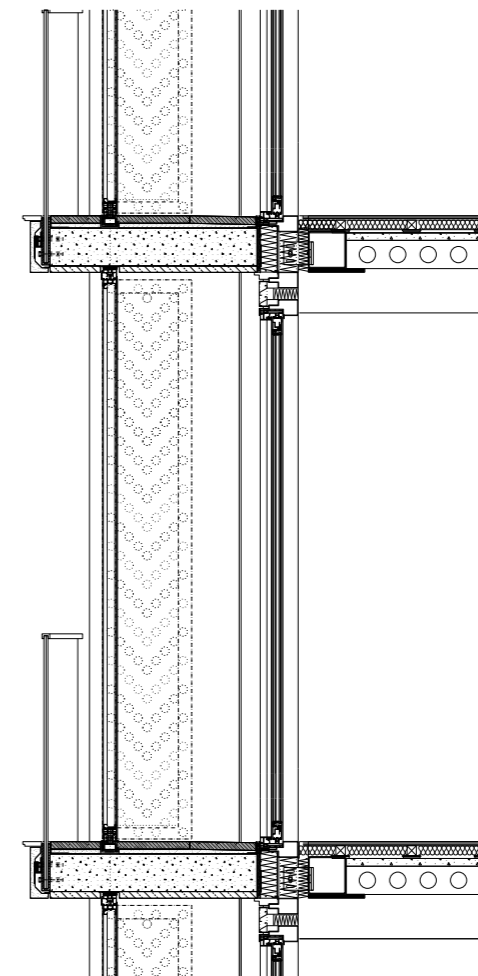
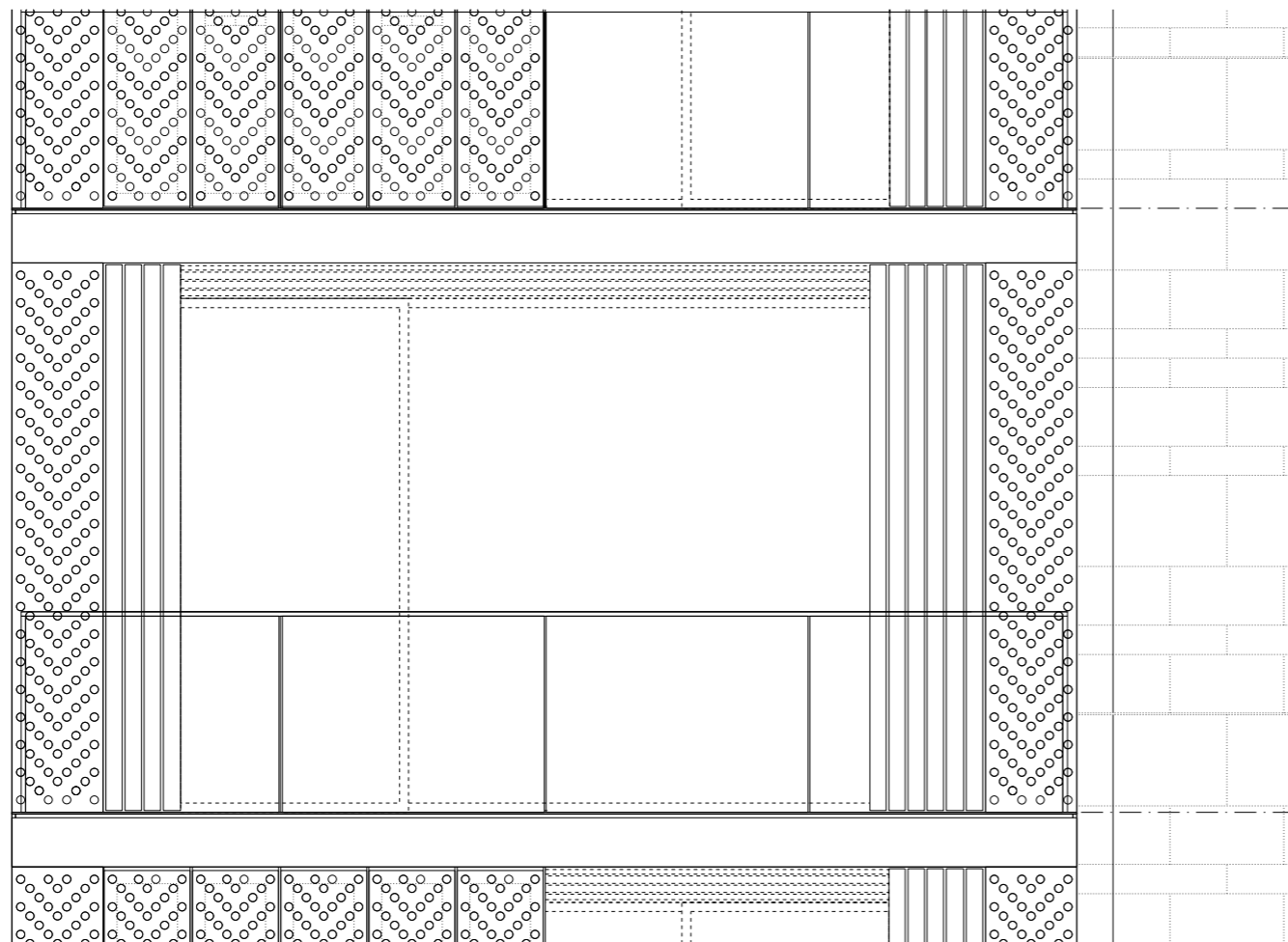


NOTES  
 DO NOT SCALE FROM THIS DRAWING.  
 ALL DIMENSIONS TO BE CHECKED ON SITE.  
 ALL OMISSIONS AND DISCREPANCIES TO BE  
 REPORTED TO THE ARCHITECT IMMEDIATELY.



Revision	description	Date	Check	Rev
	ISSUED FOR CONSTRUCTION	06/02/12	CT	E
	TENDER ADDENDUM	05/05/11	CT	D
	ISSUED TO WCC	01/04/11	CT	C
	Curtain walling revised	01/12/10	SBA	B
	Stage F issue	11/10/10	SBA	A

## Squire and Partners

77 Wicklow Street London WC1X 9JY  
 T: 020 7278 5555 F: 020 7239 0495

info@squireandpartners.com  
 www.squireandpartners.com

Project  
 8-10 Hanover Street,  
 London W1

Drawing  
 North Elevation Residential Cladding Bay  
 Third Floor

Drawn	Date	Scale
SBA	11/10/2010	1:20@A1 1:40@A3
Job number	Drawing number	Revision
08041	B2_D_03_G251_001	E