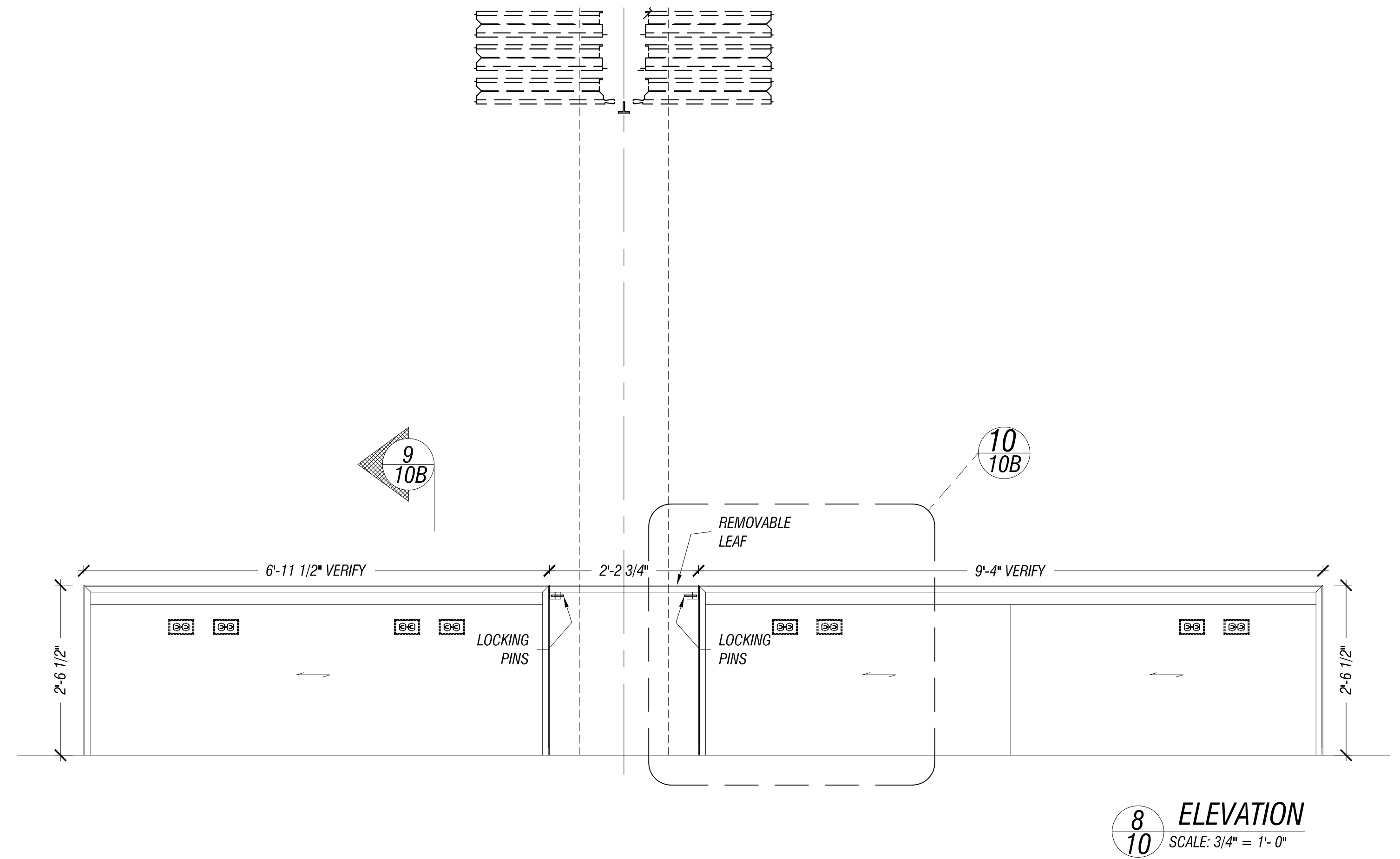
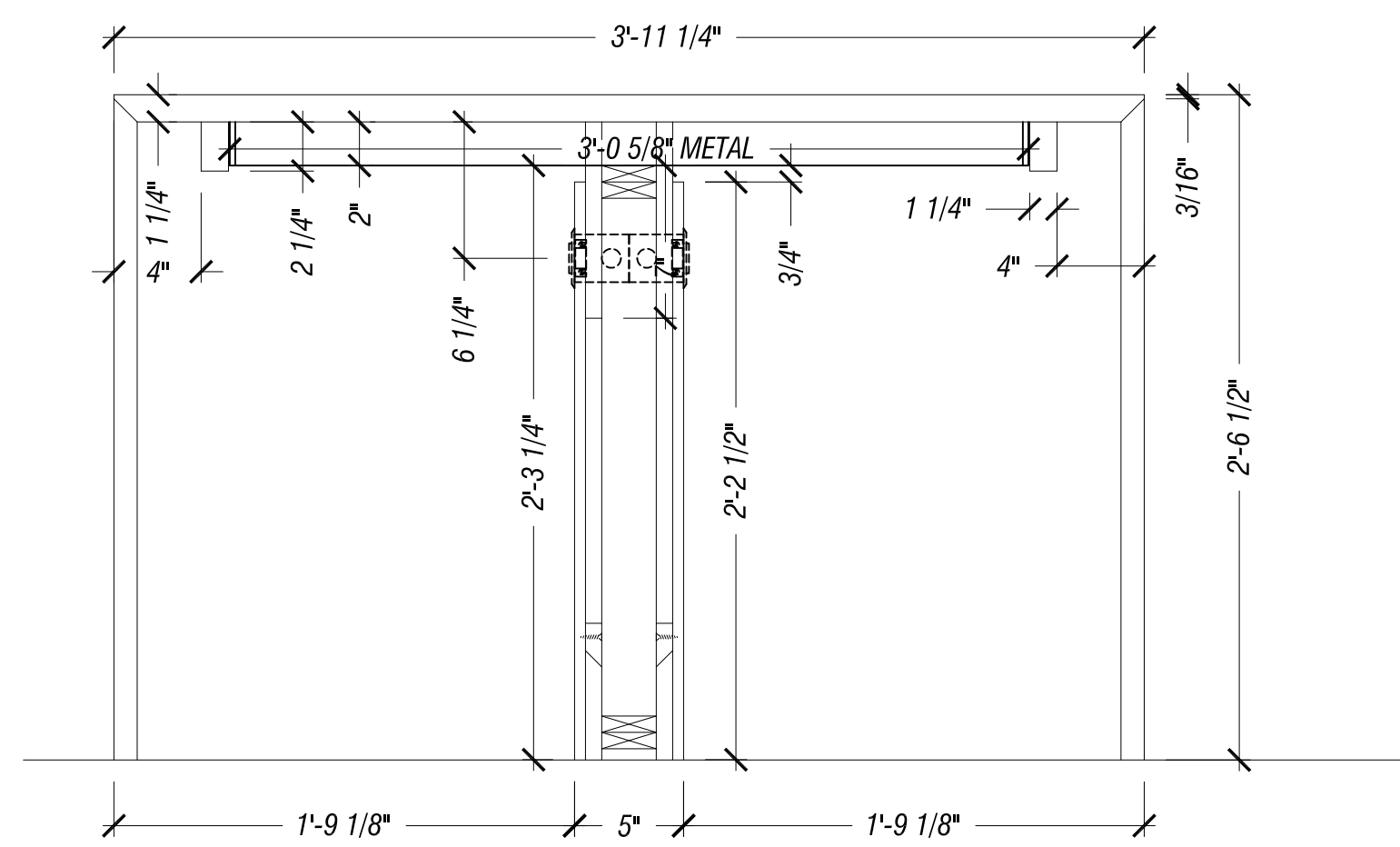


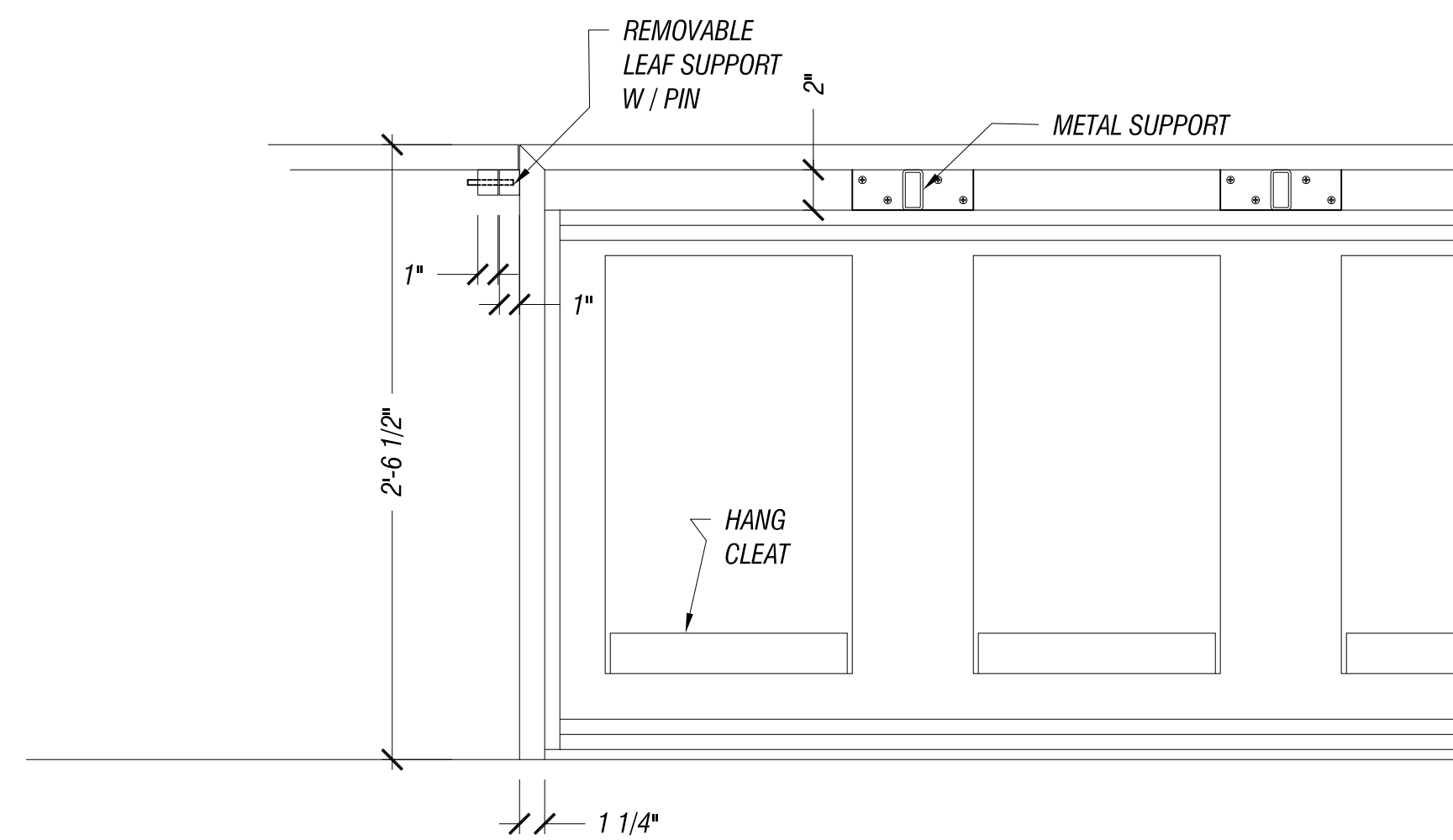
7
10 ELEVATION
SCALE: 3/4" = 1'-0"



8
10 ELEVATION
SCALE: 3/4" = 1'-0"

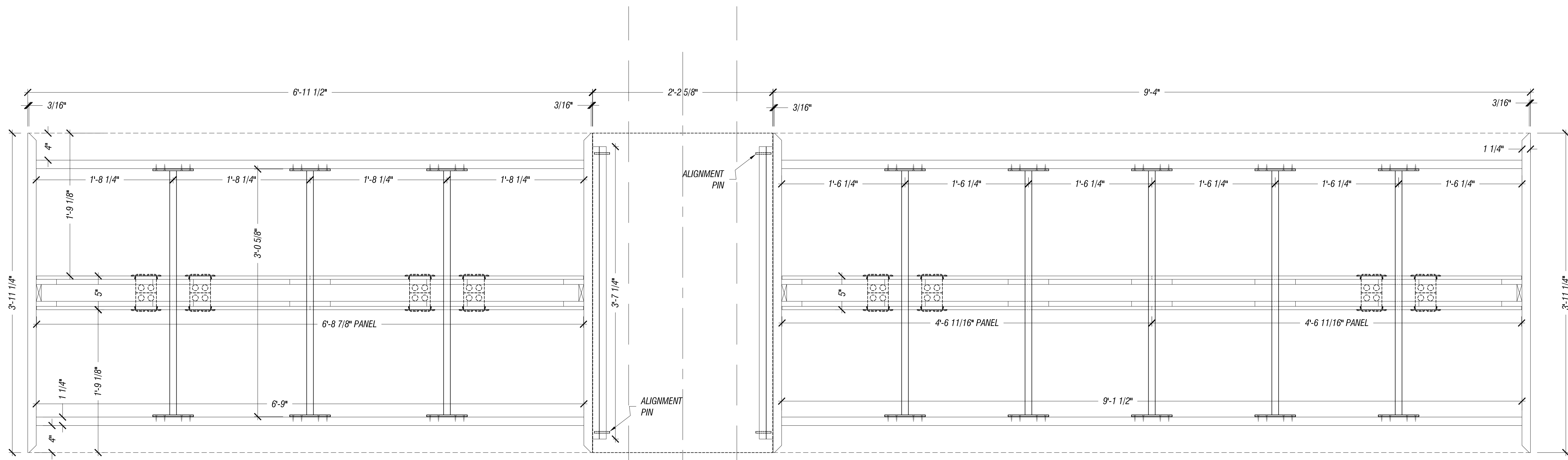


9
10B VERTICAL SECTION
SCALE: 1 1/2" = 1'-0"



10
10B VERTICAL SECTION
SCALE: 1 1/2" = 1'-0"

DATE	REV.	APPR.	R.F.P.
10/12/15			



11
10B PLAN SECTION
SCALE: 1 1/2" = 1'-0"

ANSARADA CHICAGO
215 WEST OHIO ST.
CHICAGO, IL
ARCHITECT: FITZGERALD
G.C.: KNUDSEN CONSTRUCTION

JOB NO.
15073
SHEET NO.
10C

DRAWN	DATE	REV.	APPR.	R.F.P.
MAB	10/12/15			

DESCRIPTION
MEETING / VC
ROOM 1 & 2

KNUDSEN CONSTRUCTION
1440 HUNTINGTON DRIVE
CALUMET CITY, IL 60409
TEL. 708-730-0600 FAX 708-730-0602